

---

**FACILITIES FOR INTERSTATE ACCESS**

---

Interstate Service Guide and Pricelist  
for Customers of Detariffed Access Services  
within the operating territories  
listed on the Title Pages

**LEGAL NOTICE**

*The FRONTIER Interstate Service Guide and Pricelist (Guide) applies to the telecommunications services that are set forth in this Guide. Service that is ordered without a separately executed service agreement between you and FRONTIER that applies to that order, will also be subject to the FRONTIER Interstate Access Service Agreement at <https://wholesale.frontier.com/docs/wholesaledocs/frontier-interstate-access-service-agreement.pdf>.*

*The services described in the Guide may be available through negotiated agreements, which may include rates, terms or conditions different than those in the Guide. Prospective customers wishing to purchase Guide services at rates, terms or conditions different from those described in the Guide and the applicable FRONTIER Interstate Access Service Agreement may contact their FRONTIER service representative or go to the FRONTIER website at <https://wholesale.frontier.com/wholesale/access-services/interstate-service-guide>.*

*FRONTIER reserves the right to change the rates, terms and conditions in the Guide from time to time. Notification of Guide changes will be made available at the FRONTIER website.*

---

FACILITIES FOR INTERSTATE ACCESS

---

Regulations, Rates and Charges Applicable to

Facilities for Interstate Access, Ancillary and Miscellaneous Services

provided by

Frontier Telephone Companies

to Interstate Customers

The geographical applications are as indicated following the name of the issuing carrier listed below:

ISSUING CARRIER

Frontier Dallas TX Fiber 1 LLC.

Services herein are provided by means of wire, fiber optics, radio or any other suitable technology or a combination thereof.

---

 FACILITIES FOR INTERSTATE ACCESS
 

---

TABLE OF CONTENTS

	<u>Page No.</u>
ISSUING CARRIERS	Title 2
Table of Contents	2
Registered Trademarks	12
Concurring Carriers	12
Connecting Carriers	12
Other Participating Carriers	12
Explanation of Symbols	12
Explanation of Abbreviations	13
Reference to Other Tariffs	18
Reference to Other Publications	18
1. <u>APPLICATION OF GUIDE</u>	1-1
2. <u>GENERAL REGULATIONS</u>	2-1
2.1 <u>Undertaking of the Telephone Company</u>	2-1
2.1.1 Scope	2-1
2.1.2 Limitations	2-1
2.1.3 Liability	2-2
2.1.4 Provision of FIA	2-4
2.1.5 Installation and Termination of FIA	2-4
2.1.6 Maintenance of FIA	2-4
2.1.7 Changes and Substitutions	2-5
2.1.8 Discontinuance and Refusal of FIA	2-6
2.1.9 Preemption of FIA	2-8
2.1.10 Limitation of Use of Metallic Facilities	2-8
2.2 <u>Use</u>	2-9
2.2.1 Interference or Impairment	2-9
2.2.2 Unlawful Use of FIA	2-9
2.2.3 Commingling	2-10

---

---

FACILITIES FOR INTERSTATE ACCESS

---

TABLE OF CONTENTS (Cont'd)

	<u>Page No.</u>
2. <u>GENERAL REGULATIONS (Cont'd)</u>	
2.3 <u>Obligation of the Customer</u>	2-11
2.3.1 Damages	2-11
2.3.2 Theft	2-11
2.3.3 Equipment Space and Power	2-11
2.3.4 Space and Power for Expanded Interconnection Service	2-12
2.3.5 Availability for Testing	2-12
2.3.6 Balance	2-12
2.3.7 Design of Customer Services	2-12
2.3.8 References to Telephone Company	2-12
2.3.9 Claims and Demands for Damages	2-13
2.3.10 Coordination With Respect to Network Contingencies	2-13
2.4 <u>Payment Arrangements</u>	2-14
2.4.1 Payment of Charges and Deposits	2-14
2.4.2 Minimum Periods	2-19
2.4.3 Cancellation of an ASR	2-19
2.5 <u>Connections</u>	2-20
2.5.1 General	2-20
2.5.2 Standard Access Service Connections	2-20
2.6 <u>Definitions</u>	2-21
2.7 <u>FIA Services Provided By More Than One Telephone Company</u>	2-50
2.7.1 General	2-50
2.7.2 Meet Point Billing	2-50
2.7.4 Zone Density Meet Point Billing	2-60

---

FACILITIES FOR INTERSTATE ACCESS

---

TABLE OF CONTENTS (Cont'd)

	<u>Page No.</u>
2. <u>GENERAL REGULATIONS</u> (Cont'd)	
2.8 <u>Service Level Agreements</u>	2-61
2.8.1 Basic Service Level Agreements (Basic SLAs)	2-61
2.8.1.1 Credit Allowance for FIA Interruptions	2-62
2.8.2 Enhanced Service Level Agreements (Enhanced SLAs)	2-70
2.8.2.1 Integrated Optical Service Rider SLAs	2-71
2.8.3 When a Credit Allowance Does Not Apply	2-75
2.9 <u>Sale or Transfer of an Operating Telephone Company's Assets and/or Stock to an Unaffiliated Third Party</u>	2-78
2.9.1 General	2-81
2.9.2 Undertaking of the Telephone Company Following a Transfer	2-82
2.10 <u>Technology Migration</u>	2-87
2.10.1 Service Under a DS3 Minimum Service Period	2-90
2.10.2 RESERVED FOR FUTURE USE	2-90
2.10.3 RESERVED FOR FUTURE USE	2-91
2.10.4 RESERVED FOR FUTURE USE	2-92
2.10.5 Requirements for a Technology Migration	2-93
2.11 <u>Initial Transfer of Assets from Predecessor Company</u>	2-97

FACILITIES FOR INTERSTATE ACCESS

---

TABLE OF CONTENTS (Cont'd)

	<u>Page No.</u>
3. <u>ORDERING OPTIONS FOR FIA</u>	
3.1 General .....	3-1
3.1.1 Ordering Conditions .....	3-1
3.1.2 Provision of Other Services .....	3-8
3.1.3 Special Construction .....	3-8
3.2 Access Service Request .....	3-9
3.2.1 Service Date Intervals .....	3-9
3.2.2 ASR Modifications .....	3-10
3.2.3 Selection of Facilities for Access Service .....	3-13
3.2.4 Minimum Period .....	3-14
3.2.5 Minimum Period Charges .....	3-16
3.2.6 Cancellation of an ASR .....	3-17
3.2.7 Discontinuance of Switched Access FGD or BSA-D.....	3-20
3.3 Access Service Requests For Services Provided By More Than One Telephone Company.....	3-21
5. <u>SPECIAL ACCESS</u>	5-1
5.1 <u>General</u>	5-1
5.1.1 Rate Elements	5-2
5.1.2 Special Access Configurations	5-9
5.1.3 Special Facilities Routing	5-13
5.1.4 Design Layout Report	5-13
5.1.5 Acceptance Testing	5-14
5.1.6 Ordering Conditions	5-15
5.2 <u>Description of Special Access</u>	5-16
5.2.1 Voiceband	5-17
5.2.3 Program Audio	5-18
5.2.4 Video Digital Transport Service	5-20
5.2.7 High Capacity Digital	5-24
5.2.8 DS1/DS3/FiberConnect Enhanced Access Diversity (EAD)	5-26
5.2.9 Digital Data Service	5-29
5.2.10 Bonded Digital Link Service (BDLS)	5-30
5.2.11 Miscellaneous Special Access Services	5-32

## FACILITIES FOR INTERSTATE ACCESS

TABLE OF CONTENTS (Cont'd)

	<u>Page No.</u>
5. <u>SPECIAL ACCESS (cont'd)</u>	
5.3 <u>Description of Terminating Options</u>	5-33
5.3.2 Voice Grade	5-33
5.3.3 Program Audio	5-35
5.3.4 Video Digital Transport Service	5-35
5.3.6 High Capacity Digital	5-36
5.3.7 Digital Data Service (DDS)	5-37
5.4 <u>Description of Supplemental Features</u>	5-38
5.4.1 Bridging	5-38
5.4.2 Conditioning Arrangements Data	5-40
5.4.3 Conditioning Program Audio	5-41
5.4.4 Signaling Arrangements	5-42
5.4.5 Echo Control	5-44
5.4.6 Improved Return Loss	5-44
5.4.7 Voiceband Facility Switching Arrangement	5-44
5.4.8 Automatic Protection Switch	5-45
5.4.9 Improved Termination Option	5-45
5.4.10 Improved Equal Level Echo Path Loss Option ELEPL 2	5-46
5.4.11 Digital Data Service Secondary Channel	5-46
5.5 <u>Description of Multiplexing Arrangements</u>	5-47
5.6 <u>Rate Regulations</u>	5-50
5.6.1 Types of Rates and Charges	5-50
5.6.2 Minimum Periods	5-64
5.6.3 Mileage Measurement	5-65
5.6.4 Moves	5-65
5.6.5 Rates and Charges on an Individual Case Basis	5-67
5.6.6 Hub Wire Centers	5-68
5.6.7 Shared Use Analog and Digital High Capacity Services	5-70
5.6.8 Video Digital Transport Services	5-72
5.6.9 Special Access Surcharge	5-92
5.6.10 Message Station Equipment Recovery Charge	5-93
5.6.11 DS3 High Capacity Service	5-94
5.6.12 Optional Payment Plan (OPP)	5-105
5.6.13 RESERVED FOR FUTURE USE	5-109
5.6.14 RESERVED FOR FUTURE USE	5-118
5.6.15 E1 (2.048 Mbps) High Capacity Service	5-141
5.6.16 MetroLAN Special Transport	5-143
5.6.17 High Voltage Protection	5-161
5.6.18 RESERVED FOR FUTURE USE	5-162

---

 FACILITIES FOR INTERSTATE ACCESS
 

---

TABLE OF CONTENTS (Cont'd)

	<u>Page No.</u>
5. <u>SPECIAL ACCESS (Cont'd)</u>	
5.7 <u>Rates and Charges</u>	
5.7.1 Nonrecurring Charges	5-182
5.7.2 Voiceband Facilities	5-183
5.7.3 Program Audio Facilities	5-192
5.7.4 Video Facilities	5-198
5.7.5 Digital Data Service Facilities	5-231
5.7.6 Multiplexing Arrangements	5-238
5.7.7 High Capacity Digital DS1 (1.544 Mbps) Facilities	5-244
5.7.8 High Capacity Digital FiberConnect (4 x1.544 Mbps) Facilities	5-251
5.7.9 High Capacity Digital DS3 (44.736 Mbps) Facilities Three System	5-253
5.7.10 High Capacity Digital DS3 (44.736 Mbps) Facilities Unlimited System	5-261
5.7.11 High Capacity Digital DS3 (44.736 Mbps) Facilities Individual System	5-269
5.7.12 High Capacity Digital DS3 (44.736 Mbps) Facilities - Group Systems	5-273
5.7.13 High Capacity Digital DS3 (44.736 Mbps) Facilities - Special Transport	5-281
5.7.14 High Capacity Digital DS3 (44.736 Mbps) Facilities DS3 Multiplexer Cross Connect Arrangement	5-286
5.7.15 RESERVED FOR FUTURE USE	5-287
5.7.16 RESERVED FOR FUTURE USE	5-291
5.7.17 High Capacity Digital E1 (2.048 Mbps) Facilities	5-301
5.7.18 High Voltage Protection	5-302
5.7.19 RESERVED FOR FUTURE USE	5-303

---



---

FACILITIES FOR INTERSTATE ACCESS

---

TABLE OF CONTENTS (Cont'd)

	<u>Page No.</u>
5. <u>SPECIAL ACCESS</u> (Cont'd)	
5.8 <u>Miscellaneous Special Access Services</u>	5-309
5.8.4 Telephoto Conditioning	5-309
5.8.5 Clear Channel Capability	5-309

---

FACILITIES FOR INTERSTATE ACCESS

---

TABLE OF CONTENTS (Cont'd)

	<u>Page No.</u>
6. <u>MISCELLANEOUS SERVICES</u>	6-1
6.1 <u>Additional Labor</u>	6-1
6.2 <u>Maintenance of Service Charge</u>	6-12
6.3 <u>Telecommunications Service Priority (TSP) System</u>	6-13
6.4 <u>Additional Testing</u>	6-19
6.5 <u>End User/Agent Lists</u>	6-23
6.6 <u>Denial/Restoral Service</u>	6-25
6.7 <u>DS1 Span Power</u>	6-26

---

FACILITIES FOR INTERSTATE ACCESS

---

<u>TABLE OF CONTENTS (Cont'd)</u>		<u>Page No.</u>
7.1	<u>WIRE CENTER INFORMATION</u>	7-1
7.2	<u>Competitive Counties</u>	7-25
8.	<u>OPTICAL NETWORKING</u>	8-1
8(A)	<u>General</u>	8-1
8(B)	<u>Description</u>	8-1
8(C)	<u>Conditions</u>	8-2
8(D)	<u>Application of Rates and Charges</u>	8-3
8(G)	<u>Rate Regulations</u>	8-12
8(H)	<u>Off-Net Wire Center</u>	8-15
8(I)	<u>Shared Use</u>	8-15
8(K)	<u>Optical Networking LANs</u>	8-16
8(L)	<u>Rates and Charges</u>	8-24
8.4	<u>Dedicated SONET Entrance Facilities</u>	8-60

---

FACILITIES FOR INTERSTATE ACCESS

---

TABLE OF CONTENTS (Cont'd)

	<u>Page No.</u>
9. <u>OPERATING TERRITORIES OF THE FRONTIER TELEPHONE COMPANIES</u>	9-1
9.1 General	9-1
10. <u>RESERVED FOR FUTURE USE</u>	10-1

---

FACILITIES FOR INTERSTATE ACCESS

---

REGISTERED TRADEMARKS

Telcordia® and Common Language® are registered trademarks and iconectiv, CLCI, CLEI, CLFI, CLLI, FID, NC, NCI and NC/NCI, are trademarks of Telcordia Technologies, Inc. The Common Language codes identified in this Guide are the proprietary information of Telcordia Technologies, Inc. dba iconectiv and are licensed to the Telephone Company. The Common Language codes are provided herein solely for the purpose of this Guide filing and may not be reproduced, stored, or used for any other purpose without the express, written consent of iconectiv.

CONCURRING CARRIERS

No Concurring Carriers

CONNECTING CARRIERS

No Connecting Carriers

OTHER PARTICIPATING CARRIERS

No Other Participating Carriers

---

**FACILITIES FOR INTERSTATE ACCESS**

---

**EXPLANATION OF ABBREVIATIONS**

AAM	Assumed Access Minutes
ac	alternating current
ACAT	Additional Cooperative Acceptance Testing
ACD	Automatic Call Distributor
ACNA	Access Customer Name Abbreviation
ACTL	Access Customer Terminal Location
ADM	Add/Drop Multiplexing
AIOD	Automatic Identification of Outward Dialed
AM	Access Minutes
ANI	Automatic Number Identification
ARC	Access Recovery Charge
ARD	Automatic Ringdown
ASG	Access Services Group
ASR	Access Service Request
AST	Automatic Scheduled Testing
ATM	Asynchronous Transfer Mode
AT&TC	American Telephone and Telegraph Communications, Inc.
BAN	Billing Account Number
BHMC	Busy Hour Minutes of Capacity
BP	Billing Percentage
BSA	Basic Serving Arrangement
BSE	Basic Service Element
CAC	Carrier Access Code
CCS	Centum Call Seconds
CCSA	Common Control Switching Arrangement(s)
CDL	Customer Designated Location
CDM	Call Days in Month
CFA	Connecting Facility Assignment
CIC	Carrier Identification Code
CIP	Carrier Identification Parameter
CLO	Control Link Oscillator
CMF	Chargeable Minimum Factor
CNM	Customer Network Management Optional Feature
COMPS	Central Office Maintenance Planning System
Cont'd	Continued
CSM	Customer Service Management Optional Feature
CST	Cooperative Scheduled Testing
CSU	Circuit Switching Unit
C-TISC	Conversion Time-In-Service Credit

---

**FACILITIES FOR INTERSTATE ACCESS**

---

**EXPLANATION OF ABBREVIATIONS (Cont'd)**

DA	Digital Data Access
DAM	Distance in Airline Miles
dB	Decibel
dBm	Decibels below one milliwatt
dBmO	Transmission Level Referred to the Zero Transmission Level Point
dBrnC0	Decibel Reference Noise C Message Weighted O
dBv	Decibels Referred to One Volt
dc	direct current
DDS	Digital Data Service
DTM	Direct TL1 Monitoring Optional Feature
DTMF	Dual Tone Multifrequency
DX	Duplex
DWDM	Dense Wave Division Multiplexing
ECCKT	Exchange Carrier Circuit ID
ELEPL	Equal Level Echo Path Loss
E&M	The Receive and Transmit Leads of a Signaling System
EML	Expected Measured Loss
EPL	Echo Path Loss
ERL	Echo Return Loss
ESCON	Enterprise Systems CONnection
f	frequency
FCC	Federal Communications Commission
FCO	Foreign Central Office Service
FIA	Facilities for Interstate Access
FICON	Fibre CONnection
FNPA	Foreign Numbering Plan Area
GTOC	Operating Telephone Companies of GTE Corporation
GSEC	General Services and Equipment Code
HC	High Capacity
HNPA	Home Numbering Plan Area
Hz	Hertz
IA	Interface Arrangement
IC	Interexchange Carrier
ICB	Individual Case Basis
IDDD	International Direct Distance Dialing
ILP	Initial Liability Period
IP	Interconnection Point
ISC	InterSystem Channel
kbps	kilobits per second
kHz	kilohertz
LATA	Local Access and Transport Area
LEC	Local Exchange Carrier

---

FACILITIES FOR INTERSTATE ACCESS

---

EXPLANATION OF ABBREVIATIONS (Cont'd)

Ma	Milliamperes
Mbps	Megabits per second
MHz	Megahertz
MJU	Multi Junction Unit
MRC	Monthly Recurring Charge
MST	Manual Scheduled Testing
MTL	Maximum Termination Liability
NA	Not Available
NANP	North American Numbering Plan
NECA	National Exchange Carrier Association
N-MSA	Non Qualifying Metropolitan Statistical Area
NMM	Network Management Methods
NG-ADM	Next Generation Add/Drop Multiplexing
NPA	Numbering Plan Area
NRC	Nonrecurring Charge
NST	Nonscheduled Testing
NXX	Three Digit Central Office Codes'
OC-n	Optical Carrier Rate
OPS	Off Premises Station
PBX	Private Branch Exchange
PCM	Pulse Code Modulation
PON	Purchase Order Number
POT	Point of Termination
RMC	Recurring Monthly Charge
rms	root mean square
RPON	Related Purchase Order Number



---

FACILITIES FOR INTERSTATE ACCESS

---

EXPLANATION OF ABBREVIATIONS (Cont'd)

SAL	Special Access Line
SASG	Special Access Service Guarantee
SCFA	Secondary Connecting Facility Assignment
SED	Service Establishment Date
SF	Single Frequency
SLA	Service Level Agreement
SONET	Synchronous Optical Network
SPNP	Service Provider Number Portability
SRL	Singing Return Loss
STR	Switched Transport Rate
STS1	Synchronous Transport Signal 1
STS1-nV	Synchronous Transport Signal 1 with Virtual Concatenation
TDCF	Total Day Conversion Factor
TISC	Time-In-Service Credit
TLP	Transmission Level Point
TV	Television
UL	Under Utilization Liability
VG	Voice Grade
V&H	Vertical & Horizontal
WATS	Wide Area Telecommunications Service

---

FACILITIES FOR INTERSTATE ACCESS

---

EXPLANATION OF ABBREVIATIONS (Cont'd)  
STATE ABBREVIATIONS

AL Alabama	MT Montana
AK Alaska	
AR Arkansas	NE Nebraska
AZ Arizona	NC North Carolina
CA California	ND North Dakota
CO Colorado	NH New Hampshire
CT Connecticut	NJ New Jersey
DE Delaware	NM New Mexico
FL Florida	NV Nevada
GA Georgia	NY New York
HI Hawaii	OH Ohio
IA Iowa	OK Oklahoma
ID Idaho	OR Oregon
IL Illinois	PA Pennsylvania
IN Indiana	RI Rhode Island
KS Kansas	SC South Carolina
KY Kentucky	SD South Dakota
LA Louisiana	TN Tennessee
MA Massachusetts	TX Texas
MD Maryland	UT Utah
ME Maine	VA Virginia
MI Michigan	VT Vermont
MN Minnesota	WA Washington
MO Missouri	WI Wisconsin
MS Mississippi	WV West Virginia
	WY Wyoming

---

## FACILITIES FOR INTERSTATE ACCESS

---

### REFERENCE TO OTHER TARIFFS

Whenever reference is made in this Guide to other tariffs, the reference is to the tariffs in force as of the effective date of this Guide, and to amendments thereto and successive issues thereof.

The following tariff is referenced in this Guide and may be obtained from the National Exchange Carrier Association, 80 South Jefferson Road, Whippany, NJ 07981-1009, 800-228-8597, or on the Internet at [www.neca.org](http://www.neca.org).

National Exchange Carrier Association, Inc. (NECA)  
Tariff F.C.C. No. 4

### REFERENCE TO OTHER PUBLICATIONS

The following technical publications are referenced in this Guide and may be obtained from the National Exchange Carrier Association, Inc., 80 South Jefferson Road, Whippany, NJ 07981-1009 or in electronic format on the Internet at [www.neca.org](http://www.neca.org).

PUB AS No. 1, ISSUE II Access Service  
Issued: May 1984

PUB AS No. 1, ISSUE II Access Service Addendum  
Issued: March 1987

The following technical publications are referenced in this Guide and may be obtained from Testmark Labs, 3050 Harrodsburg Rd., Lexington, Kentucky 40503.

GTE Technical Interface Reference Manual, Issue 2; Sections 3300, 6000, 6103, and 7000  
Issued: August 1984, Revised December 1985, August 1986, and October 1988

GTE Telephone Companies - Traffic Grade of Service Standards  
Issued: April 1985; entire issue

The following technical publications are referenced in this Guide and may be obtained from the Alliance for Telecommunications Industry Solutions (ATIS), 1200 G Street NW, Suite 500, Washington, DC 20005, or on the Internet at [www.atis.org](http://www.atis.org).

Multiple Exchange Carrier Access Billing (MECAB) Guidelines,  
ATIS/OBF – MECAB 009, Issue 9  
Issued: January 2007

Multiple Exchange Carrier Ordering and Design (MECOD) Guidelines,  
ATIS – 0404120-0007, Issue 7  
Issued: April 2009

---

FACILITIES FOR INTERSTATE ACCESS

---

REFERENCE TO OTHER PUBLICATIONS (Cont'd)

The following technical publications are referenced in this Guide and may be obtained from Telcordia Technologies Inc., Customer Service, One Telcordia Drive, RRC 1B-180, Piscataway, NJ 08854-4156, 866-672-6997, or on the Internet at [www.telcordia.com](http://www.telcordia.com).

GR-63-CORE, Issue 3  
Issued: March 2006

GR-253-CORE, Issue 4  
Issued: December 2005

GR-320-CORE, Issue 1  
Issued: August 2003

GR-487-CORE, Issue 3  
Issued: April 2009

GR-499-CORE, Issue 3  
Issued: September 2004

GR-905-CORE, Issue 11  
Issued: December 2008

GR-1089-CORE, Issue 4  
Issued: June 2006

GR-1149-CORE, Issue 7  
Issued: December 2008

GR-1312-CORE, Issue 3  
Issued: April 1999

GR-1374-CORE, Issue 1  
Issued: December 1994

---

**FACILITIES FOR INTERSTATE ACCESS**

---

**REFERENCE TO OTHER PUBLICATIONS (Cont'd)**

GR-1400-CORE, Issue 3  
Issued: July 2006

GR-2918-CORE, Issue 6  
Issued: January 2003

GR-2979-CORE, Issue 5  
Issued: March 2005

Network Equipment Building System (NEBS), SR-3580, Issue 3  
Issued: June 2007

SR-TAP-000191, Issue 2  
Issued: December 1989

The following technical publications are referenced in this Guide and may be obtained from American National Standards Institute (ANSI), 25 West 43rd Street, 4th Floor, New York, NY 10036 or on the Internet at [www.ansi.org](http://www.ansi.org).

ANSI T1.102 - 1993 (R2005) Digital Hierarchy Electrical Interfaces Issued: 2005

ANSI T1.105.01 – 2000 (R2005) Synchronous Optical Network (SONET) - Basic Description  
Including Multiplex Structure, Rates and Formats Issued: 2005

ANSI T1.107 – 2002 (R2006) Digital Hierarchy - Format Specifications Issued: 2006

ANSI INCITS 148-1998 (R2004) Information Systems - Fiber Distributed Data Interface  
(FDDI) - Token Ring Physical Layer Protocol (PHY) Issued: 2004

ANSI INCITS 166-1989 (R2005) Information Systems - Fibre Data Distributed Interface  
(FDDI) - Token Ring Physical Layer Medium Dependent (PMD) Issued: 2005

ANSI INCITS 296-1997 (R2007) Information Technology – Single-Byte Command Code Sets  
Connection (SBCON) Architecture Issued: 2007

ANSI INCITS 303 – 1998 (R2003) Third Generation Fibre Channel Physical and Signaling  
Interface-3 (FC-PH-3) Issued: 2003

---

**FACILITIES FOR INTERSTATE ACCESS**

---

**REFERENCE TO OTHER PUBLICATIONS** (Cont'd)

The following technical publications are referenced in this Guide and may be obtained from the Institute of Electrical and Electronics Engineers, Inc., IEEE Standards Association, 445 Hoes Lane, PO Box 1331, Piscataway, NJ, 08855-1331, or on the Internet at [www.ieee.org](http://www.ieee.org).

IEEE 802.3-2005/Cor2/D2.0-2007 Telecommunications and information exchange between systems-Local and Metropolitan Area Networks-Specific Requirements-Part 3  
Issued: August 2007

IEEE 802.3u-1995 Supplement to Standard for Information Technology-Local and Metropolitan Area Networks, Part 3  
Issued: October 1995

IEEE 802.3z-1998 Supplement to Standard for Information Technology-Local and Metropolitan Area Networks, Part 3  
Issued: 1998

IEEE 802.3ae-2002 Supplement to Standard for Information Technology-Local and Metropolitan Area Networks, Part 3  
Issued: August 2002

The following technical publications are referenced in this Guide and may be obtained from the Internet Engineering Task Force (IETF) at IETF Secretariat, c/o Association Management Solutions, LLC (AMS), 48377 Fremont Blvd., Suite 117, Fremont, California 94538, or on the Internet at [www.ietf.org](http://www.ietf.org).

STD 0001, Internet Official Protocol Standards, J. Postel, Editor  
Issued: May 2008

RFC 2138, Remote Authentication Dial-In User Service (RADIUS), C. Rigney, A. Rubens, W. Simpson, S. Willens  
Issued: April 1997

The following publications are referenced in this Guide and may be obtained from the Government Printing Office, Superintendent of Documents, Document Control Branch, 941 N. Capitol St., N.E., Washington, D.C. 20401.

Telecommunications Service Priority (TSP) System for National Security Emergency Preparedness (NSEP) Service Vendor Handbook, National Communications System (NCS) H 3-1-2  
Issued: December 2000

Telecommunication Service Priority (TSP) System for National Security Emergency Preparedness (NSEP) Service User Manual, National Communications System (NCS) M 3-1-1  
Issued: May 2000

---

FACILITIES FOR INTERSTATE ACCESS

---

REFERENCE TO OTHER PUBLICATIONS (Cont'd)

The following technical publication is referenced in this Guide and may be obtained from the Society of Motion Picture and Television Engineers (SMPTE), 3 Barker Avenue, 5th Floor, White Plains, NY 10601, (914)761-1100, or on the Internet at [www.smpte.org](http://www.smpte.org).

SMPTE 0259M-2008  
Issued: 2008

The following publications referenced in this Guide may be obtained from IBM North America, 590 Madison Avenue, New York, NY 10022; 1-800-426-4968 or on the Internet at [www.ibm.com/us](http://www.ibm.com/us). Note: ESCON® is a registered trademark of the International Business Machines (IBM) Corporation.

Enterprise Systems Architecture/390 ESCON I/O Interface, Physical Layer (Seventh Edition)

SA23-0394-06 Issued: July 2008

Coupling Facility Channel Physical Layer (Sixth Edition)

SA23-0395-05 Issued: July 2008

S/390 Time Management and IBM 9037 Sysplex Timer

SG24-2070-00 Issued: May 1999

Planning Fiber Optic Channel Links (Thirteenth Edition)

GA23-0367-12 Issued: July 2009

OS/390 Parallel Sysplex Configuration Volume 2: Cookbook

SG24-5638-00 Issued: August 2000

The following technical publications are referenced in this Guide and may be obtained from International Telecommunications Union (ITU), Place des Nations, CH-1211, Geneva 20, Switzerland or on the Internet at [www.itu.int.net](http://www.itu.int.net)

Optical Interfaces for Multichannel Systems with Optical Amplifiers, ITU-T G.692  
Issued: October 1998, Amendment 1 January 2005

Optical Transport Network Physical Layer Interfaces, ITU-T G.959.1  
Issued: December 2003

---

FACILITIES FOR INTERSTATE ACCESS

---

REFERENCE TO OTHER PUBLICATIONS (Cont'd)

The following technical publication is referenced in this Guide and may be obtained from Frontier Carrier Services, 1919 McKinney Ave, Dallas, TX 75201. (T)

Technical Memorandum for Incidental InterLATA Call Management Signaling Service associated with the Verizon FCC Short Term Notice of Network Change  
Issued: March 2007

The following technical publication is referenced in this Guide and may be obtained from Telcordia Routing Administration, 8 Corporate Place PYA 3N-141, Piscataway, NJ 08854-4156, 1(866) 672-4156.

The Local Exchange Routing Guide (LERG)  
Issued: August 1, 2009, and as issued from time to time

The following publication is referenced in this Guide and may be obtained from the COMM 2000, 1414 Brook Drive, Downers Grove, IL 60515 (888)-UL33503 or on the Internet at [www.comm-2000.com](http://www.comm-2000.com).

UL 94, Edition 5 Issued: October 1996

The following technical publication is referenced in this Guide and may be obtained from the Telecommunications Industry Association, 2500 Wilson Blvd., Suite 300, Arlington, VA 22201.

Electrical Performance for Television Transmission Systems (EIA/TIA-250-C)  
Issued: February 1990



---

FACILITIES FOR INTERSTATE ACCESS

---

1. APPLICATION OF TARIFF

- 1.1 This Guide contains regulations, rates and charges applicable to Special Access, Ethernet Private Line Access Service and other miscellaneous services, hereinafter referred to collectively as service(s) or, in combination, as Facilities for Interstate Access, hereinafter referred to as FIA, provided by the issuing carriers of this Guide, hereinafter referred to as the Telephone Company to customers. This Guide further provides for Ancillary and Miscellaneous Services. This Guide does not apply to other services offered by the Telephone Company.
- 1.2 Regulations, rates and charges as specified in this Guide apply to FIA and shall not serve as a substitute for IC guide offerings of services to end users. The provision of such FIA by the Telephone Company as set forth in this Guide does not constitute a joint undertaking with an IC for the furnishing of any service.
- 1.3 References in this Guide to a Special Construction Tariff refers to the following tariff as effective in its respective territories:

TARIFF F.C.C. NO. 7                      for Frontier Dallas TX Fiber 1 LLC.

---

## FACILITIES FOR INTERSTATE ACCESS

---

### 2. GENERAL REGULATIONS

#### 2.1 Undertaking of the Telephone Company

##### 2.1.1 Scope

- (A) The Telephone Company does not undertake to transmit calls or offer a telecommunications service under this Guide.
- (B) The Telephone Company shall be responsible only for the installation, operation, and maintenance of the services which it provides.
- (C) The Telephone Company will, for maintenance purposes, test its FIA only to the extent necessary to detect and/or clear troubles. Testing beyond normal parameters will be done as described in Section 6.
- (D) FIA are provided twenty-four hours daily, seven days per week.

##### 2.1.2 Limitations

- (A) The customer may not assign or transfer the use of FIA provided under this Guide except that, where there is no interruption of use or relocation of the FIA, such assignment or transfer may be made to:
  - another customer, whether an individual, partnership, association or corporation, provided the assignee or transferee assumes all outstanding indebtedness for such FIA, and the unexpired portion of the minimum period and the termination liability applicable to such FIA, if any; or
  - a court appointed receiver, trustee or other person acting pursuant to law in bankruptcy, receivership, reorganization, insolvency, liquidation or other similar proceedings, provided the assignee or transferee assumes the unexpired portion of the minimum period and the termination liability applicable to such FIA, if any.

In all cases of assignment or transfer, the written acknowledgment of the Telephone Company is required prior to such assignment or transfer which acknowledgment shall be made within 15 days from the receipt of notification. All regulations and conditions contained in this Guide shall apply to such assignee or transferee. The assignment or transfer of FIA does not relieve or discharge the assignor or transferor from remaining jointly or severally liable with the assignee or transferee for any obligations existing at the time of the assignment or transfer.

---

FACILITIES FOR INTERSTATE ACCESS

---

2. GENERAL REGULATIONS (Cont'd)

2.1 Undertaking of the Telephone Company (Cont'd)

2.1.2 Limitations (Cont'd)

- (B) The emergency provisioning and restoration of FIA shall be in accordance with Part 64, Subpart D, Paragraph 64.401, of the FCC's Rules and Regulations, which specifies the priority system for such activities. Section 6.4 describes the service arrangement.
- (C) The Telephone Company does not warrant that its facilities and services meet standards other than those in this Guide.

2.1.3 Liability

- (A) The Telephone Company's liability, if any, for willful misconduct is not limited by this Guide. With respect to any other claim or suit by a customer for damages associated with the installation, provision, termination, maintenance, repair or restoration of FIA, and subject to the provisions of (B) and (C), the Telephone Company's liability, if any, shall not exceed an amount equal to the proportionate charge for the FIA for the period during which the provision of FIA was affected. This liability for damages shall be in addition to any amounts that may otherwise be due the customer under this Guide as a credit allowance for a provision of FIA interruption.
- (B) The Telephone Company shall not be liable for any act or omission of any other carrier or customer providing a portion of a service, nor shall the Telephone Company, for its own act or omission, hold liable any other carrier or customer providing a portion of a service.
- (C) The Telephone Company shall be indemnified, defended and held harmless by the customer against any claim, loss or damage arising from the use of FIA offered under this Guide. The foregoing indemnity shall issue on the customer separately, each being responsible for its own acts and omissions, involving:
  - Claims for libel, slander, invasion of privacy, or infringement of copyright arising from any communications
  - Claims for patent infringement arising from combining or using the FIA furnished by the Telephone Company in connection with facilities or equipment furnished by the customer; or
  - All other claims arising out of any act or omission of the customer in the course of using FIA provided pursuant to this Guide.

---

FACILITIES FOR INTERSTATE ACCESS

---

2. GENERAL REGULATIONS (Cont'd)

2.1 Undertaking of the Telephone Company (Cont'd)

2.1.3 Liability (Cont'd)

- (D) The Telephone Company does not guarantee or make any warranty with respect to its FIA when used in an explosive atmosphere. The Telephone Company shall be indemnified, defended and held harmless by the customer from any and all claims by any person relating to the FIA so provided. The foregoing indemnity shall issue on the customer separately, each being responsible for its own acts and omissions.
  - (E) Except in the case of willful misconduct, under no circumstances whatever shall the Telephone Company be liable for indirect, incidental, special or consequential damages; and this disclaimer shall be effective notwithstanding any other provisions hereof.
  - (F) No license under patents is granted by the Telephone Company to the customer or shall be implied or arise by estoppel in the customer's favor with respect to any circuit, apparatus, system or method used by the customer in connection with FIA provided under this Guide. With respect to claims of patent infringement made by third persons, the Telephone Company will defend, indemnify, protect and save harmless the customer from and against all claims arising out of the use by the customer of FIA provided under this Guide.
  - (G) The Telephone Company's failure to provide or maintain FIA under this Guide shall be excused by labor difficulties, governmental orders, civil commotions, acts of God and other circumstances beyond the Telephone Company's reasonable control, subject to the interruption allowance provisions.
  - (H) The Telephone Company shall reimburse the customer for damages to premises or equipment of the customer resulting from the provision of FIA by the Telephone Company on such premises, or by the installation or removal thereof, caused by the negligence or willful act of the Telephone Company.
-

---

FACILITIES FOR INTERSTATE ACCESS

---

2. GENERAL REGULATIONS (Cont'd)

2.1 Undertaking of the Telephone Company (Cont'd)

2.1.4 Provision of FIA

- (A) The Telephone Company, to the extent that such FIA are or can be made available with reasonable effort, and after provisions have been made for the Telephone Company's local service, will provide to the customer, upon reasonable notice, FIA offered in other applicable sections of this Guide at rates and charges specified therein.
- (B) FIA provided to a customer under this Guide may be connected directly to customer facilities and/or may be connected to access facilities of another telephone company or companies in the joint provision of interstate access.

2.1.5 Installation and Termination of FIA

Except as provided for Expanded Interconnection Service specified in Section 17, the FIA provided under this Guide (A) will include any entrance cable or drop wiring and wire or intrabuilding cable to that point where provision is made for termination of the Telephone Company's outside distribution network facilities at a suitable location inside a customer designated location, and (B) will be installed by the Telephone Company to such point of termination.

2.1.6 Maintenance of FIA

- (A) The FIA provided under this Guide shall be maintained by the Telephone Company. The customer or others may not rearrange, move, disconnect, remove or attempt to repair any FIA provided by the Telephone Company, other than by connection or disconnection to any interface means used, except with the written consent of the Telephone Company.
  - (B) Customer provided transmission facilities and equipment terminating in the Telephone Company wire center, access tandem, manhole or similar location for purposes of virtual Expanded Interconnection Service (EIS), as set forth in Section 17, will be maintained by the Telephone Company. Customer provided transmission facilities and equipment terminating in the Telephone Company wire center or access tandem for purposes of physical EIS will not be maintained by the Telephone Company.
-

---

## FACILITIES FOR INTERSTATE ACCESS

---

### 2. GENERAL REGULATIONS (Cont'd)

#### 2.1 Undertaking of the Telephone Company (Cont'd)

##### 2.1.7 Changes and Substitutions

Except as provided for equipment and systems subject to Part 68 of the FCC Rules and Regulations in 47 C.F.R. Paragraph 68.110 (b), the Telephone Company may, where such action is reasonably required in the operation of its business, substitute, change, or rearrange any telephone plant used in providing FIA under this Guide, change minimum network protection criteria, change operating or maintenance characteristics of facilities, or change operations or procedures of the Telephone Company. In case of any such substitution, change or rearrangement, the facility parameters will be within generally accepted standards. The Telephone Company shall not be responsible if any such substitution, change or rearrangement renders any customer furnished services obsolete or requires modification or alteration thereof or otherwise affects their use or performance. If such substitution, change, or rearrangement materially affects the operating characteristics or technical parameters of the FIA, as originally ordered by the customer, the Telephone Company will notify the customer in writing prior to making such substitution, change or rearrangement. Notification will be given as follows:

- Should a major change occur, the Telephone Company shall notify the customer at least one year in advance. A major change is described as any change in telephone plant which will affect the technical parameters of the interface (e.g., level, impedance, signaling, interface, bandwidth, two-wire, four-wire, etc.).
- Should a minor change occur, the Telephone Company shall notify the customer at least thirty days in advance. A minor change is described as any change in telephone plant which will not affect the technical parameters of the interface (e.g., level, impedance, signaling, interface, bandwidth, two-wire, four-wire, etc.).

The Telephone Company will work cooperatively with the customer relative to the redesign and implementation required by the change in operating characteristics.

---

FACILITIES FOR INTERSTATE ACCESS

---

2. GENERAL REGULATIONS (Cont'd)

2.1 Undertaking of the Telephone Company (Cont'd)

2.1.8 Discontinuance and Refusal of FIA

- (A) Unless the provisions of 2.2.1(B) or 2.5.1 apply, if the customer fails to comply with the provisions of 2.1.6, 2.3.1, and 2.4.1(D), or if applicable, 2.5.3, 2.5.4, 17.3.4 and 17.7.6(D) including any payments to be made by it on the dates or at the times herein specified, and fails within thirty (30) days after written notice, by certified mail, from the Telephone Company to a person designated by the customer to correct such noncompliance, the Telephone Company may discontinue the provision of the FIA to the noncomplying customer. In case of such discontinuance, all applicable charges shall become due.
  - (B) If the customer repeatedly fails to comply with the provisions of this Guide in connection with the provision of a FIA or group of FIA, and fails to correct such course of action after notice as in (A), the Telephone Company may refuse applications for additional FIA to the noncomplying customer until the course of action is corrected.
  - (C) In addition to and not in limitation of the provisions of 2.1.8(A) and 2.1.8(B), unless the provisions of 2.2.1(B) or 2.5.1 following apply, if a customer fails to comply with 2.4.1(A) or 2.4.1(D) following, including any bill payments to be made by it on the dates and times herein specified, the Telephone Company may take the actions specified in sections 2.1.8(A) and 2.1.8(B) with regard to services provided hereunder to that customer on fifteen (15) calendar days written notice, such notice period to start the day after the notice is sent by Overnight Delivery, if the customer has not complied with respect to amounts due in a subject bill and either:
-

---

FACILITIES FOR INTERSTATE ACCESS

---

2. GENERAL REGULATIONS (Cont'd)

2.1 Undertaking of the Telephone Company (Cont'd)

2.1.8 Discontinuance and Refusal of FIA (Cont'd)

(C) (Cont'd)

- (1) the Telephone Company has sent the subject bill to the customer within seven (7) business days from the bill date: or
- (2) the Telephone Company has sent the subject bill to the customer more than thirty (30) calendar days before the notice under this section is given.

In all other cases, the Telephone Company will give thirty (30) calendar days written notice pursuant to 2.1.8 (A) or 2.1.8(B). The Telephone Company will maintain records sufficient to validate the date upon which a bill was sent to a customer. Action will not be taken as specified in 2.1.8(A) or 2.1.8(B) with regard to the subject bill if the customer cures the noncompliance prior to the expiration of the fifteen (15) or thirty (30) days' notice period, as applicable.

- (D) If the Telephone Company provided notice pursuant to 2.1.8(A), (B), or (C) preceding, does not refuse additional applications for FIA service or discontinue the provision of the FIA services on the date specified, and the customer's noncompliance continues, nothing contained herein shall preclude the Telephone Company's right to refuse additional applications for FIA service or to discontinue the provision of the FIA services, including the provision of Physical or Virtual Expanded Interconnection services.
- (E) If notice is given by Overnight Delivery under this section, it shall be performed by a reputable overnight delivery service such as, or comparable to, the U.S. Postal Service Express Mail, United Parcel Service, or Federal Express.
- (F) The provisions of 2.1.8(A), (B), or (C) shall not apply to charges that customer does not pay based on submission of a good faith dispute pursuant 2.4.1(D)(2).
-



---

## FACILITIES FOR INTERSTATE ACCESS

---

### 2. GENERAL REGULATIONS (Cont'd)

#### 2.1 Undertaking of the Telephone Company (Cont'd)

##### 2.1.9 Preemption of FIA

In certain instances, i.e., when spare facilities and/or equipment are not available, it may be necessary to preempt existing services to provision or restore National Security Emergency Preparedness (NSEP) Services. If, in its best judgment, the Telephone Company deems it necessary to preempt, then the Telephone Company will ensure that:

- (A) A sufficient number of public switched services are available for public use if preemption of such services is necessary to provision or restore NSEP Service.
- (B) The service(s) preempted have a lower or do not contain NSEP assigned priority levels.
- (C) A reasonable effort is made to notify the preempted service customer of the action to be taken.
- (D) A credit allowance for any preempted service shall be made in accordance with the provisions in Section 2.8.1.1.

##### 2.1.10 Limitation of Use of Metallic Facilities

Except for loop and duplex (DX) type signaling, metallic facilities shall not be used for ground return or split pair operation. Signals applied to the metallic facility shall conform to minimum protection criteria for direct electrical connections as in Part 68 of the FCC Rules and Regulations.

---

---

FACILITIES FOR INTERSTATE ACCESS

---

2. GENERAL REGULATIONS (Cont'd)

2.2 Use

2.2.1 Interference or Impairment

- (A) The characteristics and methods of operation of any circuits, facilities or equipment provided by other than the Telephone Company, including customer transmission equipment and facilities used with EIS, and associated with the FIA provided under this Guide shall not interfere with or impair service over any facilities of the Telephone Company, its connecting and concurring carriers, or other telephone companies involved in its services, cause damage to their plant, impair the privacy of any communications carried over their facilities or create hazards to their employees or to the public.
- (B) Except as provided for equipment or systems subject to Part 68 of the FCC Rules and Regulations in 47 C.F.R. Paragraph 68.108, if such characteristics or methods of operation are not in accordance with (A), the Telephone Company will, where practicable, notify the customer, as appropriate, that temporary discontinuance of the use of FIA may be required; however, where prior notice is not practicable, nothing contained herein shall be deemed to preclude the Telephone Company's right to temporarily discontinue forthwith the use of FIA if such action is reasonable in the circumstances. In case of such temporary discontinuance the customer will be promptly notified and afforded the opportunity to correct the condition which gave rise to the temporary discontinuance. During such period of temporary discontinuance, credits as set forth in Section 2.8 following, are not applicable.

2.2.2 Unlawful Use of FIA

The FIA are furnished subject to the condition that they will not be used for an unlawful purpose. FIA will be discontinued if any law enforcement agency, acting within its apparent jurisdiction, advises in writing that such FIA are being used in violation of law. The Telephone Company will refuse to furnish FIA when it has reasonable grounds to believe that such FIA will be used in violation of law.

---

---

FACILITIES FOR INTERSTATE ACCESS

---

2. GENERAL REGULATIONS (Cont'd)

2.2 Use (Cont'd)

2.2.3 Commingling

Except as provided in Section 51.318 of the Federal Communications Commission's rules, telecommunications carriers who obtain unbundled network elements or combinations of unbundled network elements pursuant to a Statement of Generally Available Terms, under Section 252 of the Act, or pursuant to an interconnection agreement with the Telephone Company, may connect, combine, or otherwise attach such unbundled network elements or combinations of unbundled network elements to access services purchased under this Guide except to the extent such agreement (1) expressly prohibits such commingling; or (2) does not address commingling and the requesting carrier has not negotiated an interconnection agreement (or amendment) expressly permitting such commingling. The rates, terms and conditions of this Guide will apply to the access services that are commingled. Unbundled network elements or combinations of unbundled network elements that are commingled with access services do not constitute a shared use arrangement as set forth in this Guide, and are therefore not eligible for adjustment of charges under such provisions.

---

## FACILITIES FOR INTERSTATE ACCESS

---

### 2. GENERAL REGULATIONS (Cont'd)

#### 2.3 Obligation of the Customer

##### 2.3.1 Damages

The customer shall reimburse the Telephone Company for damages to the Telephone Company facilities utilized to provide FIA under this Guide caused by:

- the negligence or willful act of the customer, or
- resulting from the customer's improper use of the Telephone Company facilities, or
- due to malfunction of any facilities or equipment provided by other than the Telephone Company.

Nothing in the foregoing provision shall be interpreted to hold one customer liable for another customer's actions. The Telephone Company will, upon reimbursement for damages, cooperate with the customer in prosecuting a claim against the person causing such damage and the customer shall be subrogated to the right of recovery by the Telephone Company for the damages to the extent of such payment. The amount of reimbursement shall be the actual cost of repair to the damaged facilities including labor costs as specified in 6.2(G).

##### 2.3.2 Theft

The customer shall reimburse the Telephone Company for any loss through theft of facilities, apparatus, or equipment utilized to provide FIA under this Guide at the customer designated location or at the end user's premises. The amount of reimbursement shall be the actual cost for replacement of facilities, apparatus, or equipment lost, plus labor costs as specified in 6.2(G).

##### 2.3.3 Equipment Space and Power

Except as specified in 2.3.4, the customer shall furnish or arrange to have furnished to the Telephone Company at no charge, equipment space and electrical power required by the Telephone Company to provide FIA under this Guide at the points of termination of such FIA. The equipment space provided shall meet industry standard environmental conditions. The selection of ac or dc power shall be mutually agreed to by the customer and the Telephone Company. The customer shall also make necessary arrangements in order that the Telephone Company will have access to such spaces at reasonable times for installing, repairing or removing facilities of the Telephone Company.

---

---

## FACILITIES FOR INTERSTATE ACCESS

---

### 2. GENERAL REGULATIONS (Cont'd)

#### 2.3 Obligation of the Customer (Cont'd)

##### 2.3.4 Space and Power for Expanded Interconnection Service

Where available, the Telephone Company shall make available wire center or access tandem floor space and electrical power required by the customer for the provision of Expanded Interconnection Service at charges set forth in Section 17.

##### 2.3.5 Availability for Testing

The FIA provided under this Guide shall be available to the Telephone Company at times mutually agreed upon in order to permit the Telephone Company to make tests and adjustments appropriate for maintaining the FIA in satisfactory operating condition. Such tests and adjustments shall be completed within a reasonable time. No credit will be allowed for any interruptions involved during such tests and adjustments.

##### 2.3.6 Balance

All signals for transmission over the FIA provided under this Guide shall be delivered by the customer balanced to ground except for ground start and duplex (DX) and McCulloh-loop (alarm system) type signaling.

##### 2.3.7 Design of Customer Services

Subject to the provisions of 2.1.7, the customer shall be solely responsible at its expense for the overall design of its services. The customer shall be responsible at its own expense, for any redesigning or rearrangement of its services which may be required because of changes in FIA, operations or procedures of the Telephone Company, minimum network protection criteria or operating or maintenance characteristics of the FIA.

##### 2.3.8 References to Telephone Company

The customer may advise its end users that certain FIA are provided by the Telephone Company in connection with the service the customer furnishes to its end user; however, the customer shall not represent that the Telephone Company jointly participates in the customer's services.

---

---

FACILITIES FOR INTERSTATE ACCESS

---

2. GENERAL REGULATIONS (Cont'd)

2.3 Obligation of the Customer (Cont'd)

2.3.9 Claims and Demands for Damages

- (A) With respect to claims of patent infringement made by third persons, the customer shall defend, indemnify, protect and save harmless the Telephone Company from and against all claims arising out of the combining with, or use in connection with, the FIA provided under this Guide, any circuit, apparatus, system or method provided by the customer, the IC or its end users.
  
- (B) The customer shall defend, indemnify and save harmless the Telephone Company from and against suits, claims, and demands by third persons arising out of the construction, installation, operation, maintenance, or removal of the customer's circuits, facilities, or equipment connected to the Telephone Company's FIA provided under this Guide including, without limitation, Workmen's Compensation claims, actions for infringement of copyright and/or unauthorized use of program material, libel and slander actions based on the content of communications transmitted over the customer's circuits, facilities or equipment, and proceedings to recover taxes, fines, or penalties for failure of the customer to obtain or maintain in effect any necessary certificates, permits, licenses or other authority to acquire or operate the FIA provided under this Guide; provided, however, the foregoing indemnification shall not apply to suits, claims, and demands to recover damages for damage to property, death, or personal injury unless such suits, claims or demands are based on the tortuous conduct of the customer, its officers, agents or employees.

2.3.10 Coordination With Respect to Network Contingencies

The customer shall, in cooperation with the Telephone Company, coordinate in planning the actions to be taken to maintain maximum network capability following natural or man-made disasters which affect telecommunications services.

---

FACILITIES FOR INTERSTATE ACCESS

---

2. GENERAL REGULATIONS (Cont'd)

2.4 Payment Arrangements

2.4.1 Payment of Charges and Deposits

- (A) The Telephone Company may, in order to safeguard its interests, require a customer, which has a proven history of late payments to the Telephone Company or does not have established credit, to make a deposit prior to or at any time after the provision of the FIA to the customer to be held by the Telephone Company as a guarantee of the payment of rates and charges. The Telephone Company will notify the customer of a deposit requirement by Overnight Delivery. The customer will be required to make payment of such deposit prior to the provision of service in those cases where the customer has not established credit with the Telephone Company, or otherwise within fifteen (15) business days of such notice. Such notice to start the day after the notice is sent by Overnight Delivery. No such deposit will be required of a customer which is a successor of a company which has established credit and has no history of late payments to the Telephone Company.

A deposit may not exceed the actual or estimated rates and charges for the FIA for a two month period. The fact that a deposit has been made in no way relieves the customer from complying with the Telephone Company's regulations as to the prompt payment of bills.

At such time as the provision of the FIA to the customer is terminated, the amount of the deposit will be credited to the customer's account and any credit balance which may remain will be refunded. After the customer has established a one year prompt payment record, such a deposit will be refunded or credited to the customer account at any time prior to the termination of the provision of the FIA to the customer.

In case of a cash deposit, for the period the deposit is held by the Telephone Company, the customer will receive simple annual interest at the percentage rate specified in the Telephone Company General and/or Local Tariff.

- (B) Where the provision of FIA requires construction of facilities in order to satisfy a customer's request for service, Special Construction charges as described in Section 3.1.3 following may apply.
-

---

FACILITIES FOR INTERSTATE ACCESS

---

2. GENERAL REGULATIONS (Cont'd)

2.4 Payment Arrangements (Cont'd)

2.4.1 Payment of Charges and Deposits (Cont'd)

(C) The Telephone Company shall bill FIA services on a current basis for (a) all charges incurred, (b) applicable taxes, and (c) credits due the customer.

- Switched Access (except for the Entrance Facility, Direct-Trunked Transport and Multiplexing elements), Ancillary and Miscellaneous services shall be billed in arrears.
- Special Access, monthly EIS elements, Switched Access Entrance Facility, Direct-Trunked Transport and Multiplexing elements shall be billed in advance except for the charges and credits associated with the initial or final bills. The initial bill will also include charges for the actual period of service up to, but not including, the bill date. The unused portion of the FIA already billed will be credited on the final bill.

The customer will receive its bill in: 1) a standard paper format, 2) a paper format bill summary with an electronic transmission to provide the detailed information of the bill, or 3) a storage device (CD ROM). Such bills are due when rendered regardless of the media utilized. Adjustments for the quantities of FIA established or discontinued in any billing period beyond the minimum period in 2.4.2 will be prorated to the number of days based on a 30 day month. The Telephone Company will, upon request and if available, furnish such detailed information as may reasonably be required for verification of any bill.



---

FACILITIES FOR INTERSTATE ACCESS

---

2. GENERAL REGULATIONS (Cont'd)

2.4 Payment Arrangements (Cont'd)

2.4.1 Payment of Charges and Deposits (Cont'd)

(D) All bills to the customer are due 31 days (payment date) after the bill date or by the next bill date (i.e., same date in the following month as the bill date), whichever is the shortest interval. In the event the customer does not remit payment in immediately available funds by the payment date, the FIA may be discontinued as specified in 2.1.8.

(1) If the entire amount billed is not received by the Telephone Company in immediately available funds by the payment date, an additional charge (late payment charge) equal to 1/365th of the percentage rate for deposit interest as that in 2.4.1(A) of the unpaid balance will be applied for each day or portion thereof that an outstanding balance remains.

If such payment date would cause payment to be due on a Saturday, Sunday or Holiday (i.e., New Year's Day, Independence Day, Labor Day, Thanksgiving Day, Christmas Day, the second Tuesday in November and a day when Washington's Birthday, Memorial Day or Columbus Day is legally observed), payment for such bills will be due from the customer as follows:

- If such payment date falls on a Saturday or on a Holiday which is observed on Tuesday, Wednesday, Thursday or Friday, the payment date shall be the last non-Holiday day preceding such Saturday or Holiday.
- If such payment date falls on a Sunday or on a Holiday which is observed on a Monday, the payment date shall be the first non-Holiday day following such Sunday or Holiday.

FACILITIES FOR INTERSTATE ACCESS

---

2. GENERAL REGULATIONS (Cont'd)

2.4 Payment Arrangements (Cont'd)

2.4.1 Payment of Charges and Deposits (Cont'd)

(D) (Cont'd)

(2) In the event of a billing dispute, the customer must submit a documented claim for the disputed amount. A good faith dispute requires the customer to provide a written claim to the Telephone Company. Instructions for submitting a dispute can be obtained by calling the billing inquiry number shown on the customer's bill, or, by accessing the Telephone Company website also shown on the customer's bill. Such claim must identify in detail the basis for the dispute, and if the customer withholds disputed amounts, it must identify the account number under which the bill has been rendered, the date of the bill and the specific items on the bill being disputed, to permit the Telephone Company to investigate the merits of the dispute.

(C)

(3) If the customer pays the bill in full by the payment due date, and later initiates a billing dispute, penalty interest may be applicable.

(C)

- If the billing dispute is resolved in favor of the customer, the customer shall receive a credit from the Telephone Company equal to the disputed amount resolved in the customer's favor times the percentage rate in (1) above. This percentage credit amount will apply from the date of the customer's payment through the date on which the credit is posted to the customer's account.

If the dispute is resolved in favor of the Telephone Company, neither a late payment charge nor a penalty interest charge is applicable.

---

FACILITIES FOR INTERSTATE ACCESS

---

2. GENERAL REGULATIONS (Cont'd)

2.4 Payment Arrangements (Cont'd)

2.4.1 Payment of Charges and Deposits (Cont'd)

(D) (Cont'd)

(4) Reserved for future use. (C)

(5) Late Payment Charges applicable to End User FIA, described in the Telephone Company General and/or Local Tariffs.

---

FACILITIES FOR INTERSTATE ACCESS

---

2. GENERAL REGULATIONS (Cont'd)

2.4 Payment Arrangements (Cont'd)

2.4.2 Minimum Periods

- (A) The minimum periods for which FIA are provided and which rates and charges are applicable are in 3.2.4.
- (B) The minimum periods for which FIA are provided and which rates and charges are applicable for Specialized FIA or Arrangements provided on an Individual Case Basis, as in Section 7 are established with the individual case filing.
- (C) For discontinuances of FIA with a one month minimum period, all applicable charges for the one month period will apply. In instances where the minimum period is greater than one month, however, the charge will be the lesser of the Telephone Company's non-recoverable costs less the net salvage value for the discontinued service of the minimum period charges.
- (D) The minimum periods for which Expanded Interconnection Services are provided and which rates and charges are applicable are in Section 17.
- (E) The minimum periods for Optical Networking Services are provided and which rates and charges are applicable are in Section 20.

2.4.3 Cancellation of an ASR

Provisions for the cancellation of an ASR are in 3.2.6.

---

FACILITIES FOR INTERSTATE ACCESS

---

2. GENERAL REGULATIONS (Cont'd)

2.5 Connections

2.5.1 General

Equipment and systems (i.e., terminal equipment, multiline terminating systems, and communications systems) may be connected with Switched and Special Access furnished by the Telephone Company where such connection or interconnection is made in accordance with the provisions specified in the NECA Technical Reference Publication AS No. 1, Issue II and in 2.1 preceding.

2.5.2 Standard Access Service Connections

Access services are provided by means of wire, fiber optics, radio or any other suitable technology or a combination thereof. Special Access service connections are made directly or through a Telephone Company hub where bridging or multiplexing functions are performed. These connections can either be analog or digital.

---

## FACILITIES FOR INTERSTATE ACCESS

---

### 2. GENERAL REGULATIONS (Cont'd)

#### 2.6 Definitions

Certain terms used herein are defined as follows:

##### Access Area

The term "Access Area" denotes a specific calling area containing those customers served by one or more Central Offices associated with the various Switched Access provisions offered under this Guide. The size and configuration of the Access Area a customer obtains is dependent upon the Feature Group type and the specific characteristics of the Central Office or Access Tandem office to which the connection is made.

##### Access Code

The term "Access Code" applies to Switched Access Service. It denotes a uniform seven digit code dialed by an end user to access an Interexchange Carrier's facilities. The Carrier Access Code (CAC) has the form 101XXXX and the Carrier Identification Code (CIC) has the form 950-XXXX.

##### Access Group

The term "Access Group" denotes a grouping of lines or trunks used to establish a connection between switching systems. Each grouping of lines or trunks is traffic engineered as a unit with each of the individual members of the group having identical characteristics and being interchangeable with any other member of the group.

##### Access Minutes

The term "Access Minutes" denotes that usage of exchange facilities in interstate or foreign service for the purpose of calculating chargeable usage. On the originating end of an interstate or foreign call, usage is measured from the time the originating End User's call is delivered by the Telephone Company to and acknowledged as received by the customer's facilities connected with the originating exchange. On the terminating end of an interstate or foreign call, usage is measured from the time the call is received by the End User in the terminating exchange. Timing of usage at both originating and terminating ends of an interstate or foreign call shall terminate when the calling or called party disconnects, whichever event is recognized first in the originating and terminating end exchanges, as applicable. For the calculation of total minutes, seconds are totaled and converted to minutes before rounding occurs. Remainder seconds greater than 29 are rounded to a minute.

---

---

FACILITIES FOR INTERSTATE ACCESS

---

2. GENERAL REGULATIONS (Cont'd)

2.6 Definitions (Cont'd)

Access Service Request

The term "Access Service Request" (ASR) denotes a document (i.e., order) used by the Telephone Company to process a customer's request for Access Services as offered throughout this Guide.

Access Tandem

The term "Access Tandem" denotes a telephone company switching system that provides a traffic concentration and distribution function for inter LATA traffic originating from or terminating at end offices in the access area.

Add/Drop Multiplexing

The term "Add/Drop Multiplexing" denotes a multiplexing function that allows lower level signals to be added or dropped with the remaining traffic continuing through the network.

Agent

The term "Agent" as used in Section 6 of this Guide, is defined as that person or entity that the Telephone Company acknowledges as controlling decisions pertaining to Pay telephone Service or, that person or entity duly authorized to act in that capacity by the physical owner of the premises.

Aggregator

The term "Aggregator" denotes any individual, partnership, association, joint-stock company, trust or corporation that, in the ordinary course of its operations, makes telephones available to the public or to transient users of its premises, for interstate telephone calls using a provider of operator services.

Alternate Billing Service

The term "Alternate Billing Service (ABS)" denotes the ability of the end user to bill calls to an account not necessarily associated with the originating line, including calling card, collect and third number billing.

---

FACILITIES FOR INTERSTATE ACCESS

---

2. GENERAL REGULATIONS (Cont'd)

2.6 Definitions (Cont'd)

Answer/Disconnect Supervision

The term "Answer/Disconnect Supervision" denotes the transmission of the switch trunk equipment supervisory signal (off-hook or on-hook) to the CDL for terminating calls to the Telephone Company end office as an indication that the called party has answered or disconnected.

Answer Message

The term "Answer Message" denotes an SS7 message sent in the backward direction to indicate that the call has been answered.

Attempt

The term "Attempt" denotes a call in the originating direction from an end user to the CDL which is completed (answered) or not completed (not answered) and a call in the terminating direction from the CDL to a customer which is completed (Answered) or not completed (not answered).

Attenuation Distortion

The term "Attenuation Distortion" denotes the difference in loss at specified Frequencies relative to the loss at 1004 Hz.

Balance (100-Type) Test Line

The term "Balance (100-Type) Test Line" denotes a standard feature of FGA, FGB, FGD, 800, 888 Access Service, BSA-A, BSA-B, and BSA-D and refers to the end office termination provided for balance and noise testing. The termination provides off-hook supervision to the calling end, and terminates the line or trunk in a resistive and capacitive arrangement which simulates the characteristic impedance of the end office.

Basic Service Element

The term "Basic Service Element (BSE)" denotes an unbundled service option available only with Basic Serving Arrangements.



---

FACILITIES FOR INTERSTATE ACCESS

---

2. GENERAL REGULATIONS (Cont'd)

2.6 Definitions (Cont'd)

Basic Serving Arrangement

The term "Basic Serving Arrangement (BSA)" denotes a category of Switched Access Service differentiated by technical characteristics, e.g., line side versus trunk side connection at the Telephone Company's first point of switching.

BHMC

See Busy Hour Minutes of Capacity.

Billed Number Screening

The term "Billed Number Screening (BNS)" denotes the process of utilizing a line information data base to determine billing number acceptance for collect and third number calls and to perform public telephone line number checks to prevent the alternate billing of calls to public coin telephone lines.

Bit

The term "Bit" denotes the smallest unit of information in the binary system of notation.

Bridging

The term "Bridging" denotes the connection of one or more circuits in parallel with another circuit without interrupting the continuity of the first circuit.

Bridging Wire Center

The term "Bridging Wire Center" denotes the telephone company designated wire center in which bridging is accomplished.

Business Day

The term "Business Day" denotes the times of day that a company is open for business. Generally, in the business community, these are 8:00 or 9:00 a.m. to 5:00 or 6:00 p.m., respectively, with an hour for lunch, Monday through Friday, resulting in a standard forty (40) hour work week.

---

## FACILITIES FOR INTERSTATE ACCESS

---

### 2. GENERAL REGULATIONS (Cont'd)

#### 2.6 Definitions (Cont'd)

##### Busy Hour Minutes of Capacity

The term "Busy Hour Minutes of Capacity" (BHMC) denotes the trunk group usage load consisting of the average usage load for the busy season.

##### Busy Season

The term "Busy Season" denotes the four consecutive weeks of the calendar year having the highest daily busiest hour traffic load based on a five day week. Normally the five day week consists of Monday through Friday. Where weekend traffic is greater than weekday traffic, one or both weekend days may be used as a substitute for a weekday as long as a consistent five day week is maintained for the four consecutive weeks.

##### Bit

The term "Bit" denotes a binary digit, the smallest unit of information in the binary system of notation.

##### Byte

The term "Byte" denotes a sequence or group of eight bits that represents one character.

##### Carrier Identification Code

The term "Carrier Identification Code" (CIC) denotes the uniform access code associated with a specific Interexchange Carrier.

##### Carrier Identification Parameter

The term "Carrier Identification Parameter" (CIP) denotes a field in the SS7 Initial Address Message (IAM) that identifies and transmits CIC information in a forward direction to an IC customer.

##### C Conditioning

The term "C Conditioning" denotes a telephone company special treatment of the transmission path in order to control attenuation and envelope delay distortion.

---

## FACILITIES FOR INTERSTATE ACCESS

---

### 2. GENERAL REGULATIONS (Cont'd)

#### 2.6 Definitions (Cont'd)

##### C Message Noise

The term "C Message Noise" denotes the frequency weighted average noise within an idle voice circuit. The frequency weighting, called C message, is used to simulate the frequency characteristic of the 500 type telephone set and the hearing of the average subscriber.

##### C Notched Noise

The term "C Notched Noise" denotes the frequency weighted noise on a voice circuit with a holding tone, which is removed at the measuring end through a notch (very narrow band) filter.

##### CCS

The term "CCS" denotes a hundred call seconds which is a standard unit of traffic load that is equal to 100 seconds of usage or capacity of a group of lines or trunks.

##### Call

The term "Call" denotes a communication including an off hook signal and routing information initiated at the originating location and completed to a terminating location.

##### Call Branding

Call Branding is the act of providing customer identification, audibly and distinctly, to the caller at the beginning of a Preferred Directory Assistance call.

##### Cellular Mobile Carrier (CMC)

The term "Cellular Mobile Carrier (CMC)" denotes a Common Carrier authorized by the Federal Communications Commission to provide cellular mobile radio telecommunications services.

##### Central Office

The term "Central Office" denotes a telephone company local switching system where telephone company local service subscriber station loops are terminated for purposes of interconnection to each other and to trunks.

---

---

## FACILITIES FOR INTERSTATE ACCESS

---

### 2. GENERAL REGULATIONS (Cont'd)

#### 2.6 Definitions (Cont'd)

##### Central Office Loop Around Test Line

The term "Central Office Loop Around Test Line" denotes equipment in the Telephone Company's end office which provides a means for making two way transmission tests for Switched Access services. These transmission tests are normally for the measurement of level and noise tests. This arrangement has two terminations, each reached by means of a separate seven digit number.

##### Central Office Prefix

The term "Central Office Prefix" denotes the first three digits (NXX) of the telephone number assigned to a telephone company subscriber's local service.

##### Centralized Automatic Reporting on Trunks (CAROT) Testing

The term "Centralized Automatic Reporting on Trunks (CAROT) Testing" denotes a type of testing which includes the capacity for measuring the 1000 Hz loss, C message weighted noise, C notched noise, loss slope, and the provision of a balance termination.

##### Channelize

The term "Channelize" denotes the process of multiplexing demultiplexing circuits using analog or digital techniques.

##### Circuit

The term "Circuit" denotes an electrical or photonic, in the case of fiber optic based transmission systems, communications path between two or more points of termination.

##### Circuit Code

The term "Circuit Code" denotes the service class routing of an SS7 call that indicates the interexchange carrier trunk group to which the traffic will be routed (e.g., 0+, 0-, 500, 900, etc.).

##### Common Channel Signaling System 7 Network (CCS7)

The term "Common Channel Signaling System 7 Network (CCS7)" denotes a dedicated out-of-band signaling network which utilizes Signaling System 7 (SS7) protocol to provide call handling and data base access services.

---

## FACILITIES FOR INTERSTATE ACCESS

---

### 2. GENERAL REGULATIONS (Cont'd)

#### 2.6 Definitions (Cont'd)

##### Common Line

The term "Common Line" denotes a line, trunk, coin line or other facility provided under the Telephone Company General and/or Local Tariffs, terminated on a Central Office switch. A Common Line Residence is a line or trunk provided under the residence regulations of the Telephone Company General and/or Local Tariffs. A Common Line Business is a line or trunk provided under the business regulations of the Telephone Company General and/or Local Tariffs. A coin line is a line provided under the public and/or semi-public service regulations of the Telephone Company General and/or Local Tariffs.

##### Communications System

The term "Communications System" denotes circuits and other facilities which are capable of communications between terminal equipment provided by other than the Telephone Company or Telephone Company stations.

##### Competitive County

The term "Competitive County" denotes the geographic unit of a county or county-equivalent that passes or has passed a competitive market test specified by the FCC. Competitive County also denotes a county or county-equivalent that failed a competitive market test specified by the FCC, but was granted Phase II, Level 2 pricing flexibility prior to June 1, 2017.

##### Concatenated

The term "Concatenated" denotes the linking together of various data structures, e.g., two bandwidths joined to form a single bandwidth.

##### Confirmed ASR

The term "Confirmed ASR" denotes a customer's ASR for a) Switched Access FIA which the Telephone Company has processed with the Engineering Department to confirm for the customer and the Telephone Company the availability of facilities and/or equipment, and b) Special Access FIA for which the Telephone Company confirms to the customer that the established due date can be met. The date the ASR is confirmed, the standard service date interval commences.

##### Confirming Design Layout Report Date

The term "Confirming Design Layout Report (CDLR) Date" identifies the date that the Telephone Company is scheduled to receive confirmation that the Design Layout Report provided by the Telephone Company for a confirmed ASR is acceptable.

---

---

## FACILITIES FOR INTERSTATE ACCESS

---

### 2. GENERAL REGULATIONS (Cont'd)

#### 2.6 Definitions (Cont'd)

##### Connecting Facility Assignment

The term "Connecting Facility Assignment" denotes the identification of a channel or circuit to be used from a high capacity facility.

##### Conventional Signaling

The term "Conventional Signaling" denotes the inter machine signaling system which has been traditionally used in North America for the purpose of transmitting the called number's address digits from the originating end office to the switching machine which will terminate the call. In this system, all of the dialed digits are received by the originating switching machine, a path is selected, and the sequence of supervisory signals and outpulsed digits is initiated. No overlap outpulsing, ten digit ANI, ANI information digits, or acknowledgement wink are included in this signaling sequence.

##### Customer

The term "Customer" denotes any individual, partnership, association, joint stock company, trust, corporation, or governmental entity or any other entity which subscribes to the services offered under this Guides

##### Customer Designated Location

The term "Customer Designated Location" (CDL) denotes a location specified by the customer for the purpose of terminating FIA services. The Telephone Company must have access to the location to perform installation, testing, and maintenance functions. The customer may or may not have access to the location. CDLs include locations such as customer premises, end user premises, customer repeater stations, customer microwave towers, a Telephone Company's first point of switching, some other point where Telephone Company testing can occur, etc. A CDL may be designated by the customer for Switched Access, Special Access, or both in combination. Customer transmission facilities and equipment may be terminated in Telephone Company wire centers or access tandems under EIS arrangements, as defined in Section 17. Telephone Company Switched and Special Access Services may be interconnected to such customer equipment using Cross Connect arrangements as described in Section 4.5.3 and Section 5.1.1(D), respectively.

##### D Conditioning

The term "D Conditioning" denotes a Telephone Company special treatment of the transmission path in order to control C notched noise and intermodulation distortion.

---

FACILITIES FOR INTERSTATE ACCESS

---

2. GENERAL REGULATIONS (Cont'd)

2.6 Definitions (Cont'd)

Daily Busiest Hour

The term "Daily Busiest Hour" denotes the highest usage hour for each day with the reading taken on the clock hour or half hour. The clock hour or half hour selection varies from day to day, depending upon the usage measured. The Daily Busiest Hour is also known as the Bouncing Busy Hour.

Data Transmission (107 Type) Test Line

The term "Data Transmission (107 Type) Test Line" denotes an arrangement which provides for the connection to a signal source which provides test signals for one way testing of data and voice transmission parameters.

Discontinuance Non-Recurring Charge (C)

In addition to any other charges associated with discontinuance of services, the Telephone Company will charge a discontinuance non-recurring charge to disconnect services. This charge applies on a per circuit basis. (C)

Drop Cable

A facility provided by the Telephone Company which connects the broadband feeder cable to the premises of the customer's subscribers for the purposes of Video Channel Services.

Dual Tone Multifrequency Address Signaling

The term "Dual Tone Multifrequency (DTMF) Address Signaling" denotes a type of signaling that is an optional feature of FGA and BSA-A. It may be utilized when FGA or BSA-A is being used in the terminating direction. An office arranged for signaling would expect to receive address signals from the IC in the form of DTMF format.

Echo Path Loss

The term "Echo Path Loss" denotes the measure of reflected signal at a four wire interface without regard to the send and receive Transmission Level Point (TLP).

Echo Return Loss

The term "Echo Return Loss" denotes a frequency weighted measure of return loss over the middle of the voiceband (approximately 500 to 2500 Hz) where talker echo is most annoying.

---

## FACILITIES FOR INTERSTATE ACCESS

---

### 2. GENERAL REGULATIONS (Cont'd)

#### 2.6 Definitions (Cont'd)

##### End Office Switch

The term "End Office Switch" denotes a Telephone Company local switching system located in a wire center where Telephone Company local service subscriber station loops are terminated for purposes of originating and terminating traffic to or from a customer.

##### End User

The term "End User" means any customer of an interstate or foreign telecommunications service that is not a carrier, except that a carrier, other than the Telephone Company, shall be deemed to be an "end user" to the extent that such carrier uses a telecommunications service for administrative purposes, and a person or entity that offers telecommunications services exclusively as a reseller shall be deemed to be an "end user" if all resale transmissions offered by such reseller originate on the premises of such reseller (e.g., hotels, motels and shared tenant services).

##### Engineering Review

The term "Engineering Review" denotes the examination of an ASR with a customer requested change to determine if a design change is required. It includes, but is not limited to, the review for possible change requirements in equipment, interfaces, circuit configurations, engineering records, and billing.

##### Entry Switch

See First Point of Switching.

##### Excess Capacity

The term "Excess Capacity" denotes a quantity of FIA requested by the customer which is greater than that which the Telephone Company would construct to fulfill the customer's ASR.



---

## FACILITIES FOR INTERSTATE ACCESS

---

### 2. GENERAL REGULATIONS (Cont'd)

#### 2.6 Definitions (Cont'd)

##### Exchange

The term "Exchange" denotes a unit generally smaller than a Local Access and Transport Area (LATA), established by the Telephone Company for the administration of communications service in a specified area which usually embraces a city, town or village and its environs. It consists of one or more central offices together with the associated facilities used in furnishing communications service within that area. One or more designated exchanges comprise a given LATA.

##### Exchange Access Signaling

The term "Exchange Access Signaling" denotes the signaling system used by end offices to transmit originating information and address digits to the customer's premises and includes the means of verifying the receipt of these address digits. Features of this system include overlap outpulsing (in suitably equipped end offices), identification of the type of call, identification of the ten digit telephone number of the calling party, and acknowledgement wink supervisory signals.

##### Existing Suitable Space

The term "Existing Suitable Space" denotes a space in which ac/dc power, heat and air conditioning, battery and generator back-up power, and other requirements necessary for provision of wire center or access tandem equipment currently exists.

##### Exit Message

The term "Exit Message" denotes an SS7 message sent to an end office by the Telephone Company tandem switch to mark the connect time when the Telephone Company's tandem switch sends an Initial Address Message to a customer.

##### Extended Area Service

The term "Extended Area Service" (EAS) denotes an arrangement whereby a customer in one exchange can call a local number in another exchange that is part of the extended area without paying a toll charge.

##### Extensible Markup Language (XML)

The term "Extensible Markup Language" (XML) denotes a simple, very flexible text format that is used in the exchange of a wide variety of data on the Web and elsewhere.

---

---

## FACILITIES FOR INTERSTATE ACCESS

---

### 2. GENERAL REGULATIONS (Cont'd)

#### 2.6 Definitions (Cont'd)

##### Facility

The term facility denotes generically the various transmission media used for the transmission of telecommunication services. This includes, but is not limited to, cable (copper pair, coaxial, and fiber optic) and microwave radio equipment.

##### Firm Order Confirmation Date

The term "Firm Order Confirmation (FOC) Date" denotes the date that the Telephone Company will provide the schedule of dates for the provisioning activities associated with the customer's request for service.

##### First Point of Switching

The term "First Point of Switching" denotes either the first telephone company location at which switching occurs on the terminating path of a call proceeding from the CDL to the terminating end office or the last telephone company location at which switching occurs on the originating path of a call proceeding from the originating end office to the CDL.

##### Flexible Automatic Number Identification (FLEX ANI)

The term "Flexible Automatic Number Identification" denotes an optional feature or Basic Service Element that provides additional values for the information indicator digits available with the ANI feature on originating calls. These additional digits identify the type of line that is originating the call for billing, screening and routing purposes.

##### Four Wire to Two Wire Conversion

The term "Four Wire to Two Wire Conversion" denotes an arrangement which converts a four wire transmission path to a two wire transmission path to allow a four wire facility to terminate in a two wire entity such as a central office switch trunk circuit or switching system.

##### Frame

The term "Frame" denotes a group of data bits, in a specific format, with a flag at either end to indicate the beginning and end of the frame. The defined format enables network equipment to recognize the meaning and purpose of specific bits.

---

---

## FACILITIES FOR INTERSTATE ACCESS

---

### 2. GENERAL REGULATIONS (Cont'd)

#### 2.6 Definitions (Cont'd)

##### Geographically Aggregated Rate (GAR)

The term "Geographically Aggregated Rate" denotes a situation in which the rates and charges for a service offering, for which there is currently no demand, are developed based upon the aggregated revenue requirement and demand for more than one study area. Upon receipt of a request for service, the current geographically averaged rates will be redeveloped to include the new study area.

Example: Study areas A, B and C have been geographically aggregated. Geographically averaged rates for A and B were developed based upon their aggregated revenue requirement and demand, while Area C, marked "GAR", has no current demand. Should C receive a request for service, the current geographically averaged rates will be redeveloped to include C's revenue and demand. The redeveloped rates and charges will now be applicable to customers on A, B and C.

##### Ground Start Supervisory Signaling

The term "Ground Start Supervisory Signaling" denotes a type of signaling which provides for the application of ground on the tip side at the point of termination (assuming no signaling conversion has been provided by the Telephone Company) as an initial seizure signal before the application of ringing in the originating direction (towards the customer from the end office).

##### Head-End

The Telephone Company location where analog video and audio signals are received from the customer for transmission over the broadband distribution facilities to subscribers for the purposes of providing Video Channel Services.

##### Immediately Available Funds

The term "Immediately Available Funds" denotes a corporate or personal check drawn on a bank account and funds which are available for use by the receiving party on the same day on which they are received and includes U.S. Federal Reserve bank wire transfers, U.S. Federal Reserve notes (paper cash), U.S. coins, U.S. Postal Money Orders, and New York Certificates of Deposit.

---

---

## FACILITIES FOR INTERSTATE ACCESS

---

### 2. GENERAL REGULATIONS (Cont'd)

#### 2.6 Definitions (Cont'd)

##### Individual Case Basis

The term "Individual Case Basis" (ICB) denotes a condition where the regulations, if applicable, rates and charges for an offering under the provisions of this Guide are developed based on the circumstances in each case.

##### Information Service Provider

The term "Information Service Provider" denotes one who offers a capability for generating, acquiring, storing, transforming, processing, retrieving, utilizing, or making available information which may be conveyed via telecommunications, except that such service does not include (1) any use of any such capability for the management, control, or operation of a telecommunications system or the management of a telecommunications service, or (2) the provision of time, weather, and such other similar audio services that are offered by the Telephone Company.

##### Initial Address Message (IAM)

The term "Initial Address Message (IAM)" denotes an SS7 message sent in the forward direction to initiate trunk set up with the busy of an outgoing trunk which carries the information about that trunk along with other information relating to the routing and handling of the call to the next switch.

##### Installed Cost

The term "Installed Cost" denotes the total cost (estimated or actual) by the Telephone Company to provide facilities for the offered services.

##### Interconnection

The term "Interconnection" denotes the termination of a customer's basic transmission facilities, including optical terminating equipment and multiplexers at or near Telephone Company wire center or access tandem. Interconnection is provided as physical or virtual.

##### Interconnection Point

The term "Interconnection Point" denotes physical EIS arrangements as the point where the customer-owned cable facilities connect to the Telephone Company termination equipment. The interconnection point for virtual EIS arrangements is the demarcation between ownership of the cable facilities.

---

---

## FACILITIES FOR INTERSTATE ACCESS

---

### 2. GENERAL REGULATIONS (Cont'd)

#### 2.6 Definitions (Cont'd)

##### Interexchange Carrier (IC) or Interexchange Common Carrier

The terms "Interexchange Carrier" (IC) or "Interexchange Common Carrier" denote any individual, partnership, association, joint stock company, trust, governmental entity or corporation engaged for hire in interstate or foreign communication by wire or radio, between two or more LATAs.

##### Intermodulation Distortion

The term "Intermodulation Distortion" denotes a measure of the nonlinearity of a circuit. It is measured using four tones, and evaluating the ratios (in dBs) of the transmitted composite four tone signal power to the second order products of the tones (R2), and the third order products of the tones (R3).

##### Interstate Communications

The term "Interstate Communications" denotes both interstate and foreign communications.

##### Intrastate Communications

The term "Intrastate Communications" denotes any communications within a state subject to oversight by a state regulatory commission as provided by the laws of the state involved.

##### Local Area Network (LAN)

A network permitting the interconnection and intercommunication of a group of computers, primarily for the sharing of resources such as data storage devices and printers.

##### Line

The term "Line" denotes a communications path connecting an end office switch with an end user's premises or a CDL for the provision for FGA or BSA-A.

##### Line Group

The term "Line Group" denotes a grouping of lines which are traffic engineered as a unit for the establishment of connections between end office switches and customers in which all of the communications paths are interchangeable.

---

## FACILITIES FOR INTERSTATE ACCESS

---

### 2. GENERAL REGULATIONS (Cont'd)

#### 2.6 Definitions (Cont'd)

##### Line Information Data Base

The term "Line Information Data Base (LIDB)" denotes a data base containing billing validation data providing the ability to screen billed numbers to support Alternate Billing services.

##### Line Side Connection

The term "Line Side Connection" denotes a connection of a transmission path to the line side of an end office system.

##### Local Access and Transport Area

The term "Local Access and Transport Area" (LATA) denotes a geographic area for the provision and administration of communications service. It encompasses designated Access Areas which are grouped to serve common social, economic, and other purposes.

##### Maximum Termination Liability

The term "Maximum Termination Liability" (MTL) denotes the maximum amount of money for which the customer is liable in the event all FIA ordered in an Individual Case Basis (ICB) arrangement are discontinued before a specified period of time.

##### Metropolitan Statistical Area (MSA)

The term "Metropolitan Statistical Area (MSA)" denotes a prescribed geographic area comprised of Telephone Company Wire Centers which has been grouped together.

##### Mid Link

The term "Mid Link" denotes the Special Transport facilities between Hub Wire Centers where the circuit is bridged and/or where switching devices such as a loop transfer arrangement are located.

##### Milliwatt (102 Type) Test Line

The term "Milliwatt (102 Type) Test Line" denotes an arrangement in an end office which provides a 1004 Hz tone at 0 dBm0 for one way transmission measurements towards the CDL from the Telephone Company end office.

---

## FACILITIES FOR INTERSTATE ACCESS

---

### 2. GENERAL REGULATIONS (Cont'd)

#### 2.6 Definitions (Cont'd)

##### Mobile Telephone Switching Office (MTSO)

The term "Mobile Telephone Switching Office (MTSO)" denotes a Cellular Mobile Carrier (CMC) switching facility that is used to originate or terminate calls on the CMC network, or originate or terminate calls between the CMC and the public switched telephone network.

##### Multicarrier Access Area

The term "Multicarrier Access Area" denotes an EAS for FGA and BSA-A or an area for FGB and BSA-B where FIA Services are provided by more than one telephone company in which a customer obtains access to an entire EAS or FGB or BSA-B area by obtaining a FGA or BSA-A, or FGB or BSA-B access tandem arrangement that connects its switch with the First Point of Switching of the Primary Exchange Carrier.

##### National Security Emergency Preparedness (NSEP) Services

The term "National Security Emergency Preparedness (NSEP) Services" denotes telecommunications services which are used to maintain a state of readiness or to respond to and manage any event or crisis (local, national or international), which causes or could cause injury or harm to the population, damage to or loss of property, or degrades or threatens the NSEP posture of the United States.

##### Native Ethernet

The term "Native Ethernet" denotes an Ethernet transmission that is not carried within a SONET signal.

##### Net Salvage

The term "Net Salvage" denotes the estimated scrap, sale, or trade in value, less the estimated cost of removal. Cost of removal includes the costs of demolishing, tearing down, removing, or otherwise disposing of the material and any other applicable costs. Because the cost of removal may exceed salvage, facilities may have negative net salvage.

##### Network Address

The term "Network Address" denotes the alphanumeric character string used to specify the destination of each switched connection made within the network.

---

---

## FACILITIES FOR INTERSTATE ACCESS

---

### 2. GENERAL REGULATIONS (Cont'd)

#### 2.6 Definitions (Cont'd)

##### Network Channel Interface Code

The "Network Channel Interface" code (NCI) is an ordering code that provides an indication of the generic channel type. The NCI code provides the technical characteristics of the interface and describes the physical and electrical characteristics of the special access interface to the customer designated locations. A complete description and listing of these interface codes is specified in Section 6103 of the GTE Technical Interface Reference Manual.

##### Node

The term "Node" denotes a SONET ring service element that designates either a customer designated location or a Telephone Company wire center location on the SONET ring. It also denotes the location/address of where a channelized service originates or terminates on a ring.

##### Non-Competitive County

The term "Non-Competitive County" denotes the geographic unit of a county or county-equivalent that failed a competitive market test specified by the FCC (excluding those that were granted Phase II, Level 2 pricing flexibility prior to June 1, 2017 and thus are defined as "Competitive Counties").

##### Non Overlap Outpulsing

The term "Non Overlap Outpulsing" is the feature of the exchange access signaling system which provides initiation of pulsing to the customer's premises after the calling subscriber has completed dialing an originating call.

##### Nonrecoverable Cost

The term "Nonrecoverable Cost" denotes the cost of specially constructed facilities for which the Telephone Company has no foreseeable use should the customer terminate service.

##### Nonsynchronous Test Line

The term "Nonsynchronous Test Line" denotes an arrangement in step by step end offices which provides operational tests which are not as complete as those provided by the synchronous test lines, but which can be made more rapidly.

##### North American Numbering Plan

The term "North American Numbering Plan" denotes a three digit area or Numbering Plan Area (NPA) code and a seven digit telephone number made up of a three digit Central Office code (NXX) plus a four digit station number (XXXX).

---



---

FACILITIES FOR INTERSTATE ACCESS

---

2. GENERAL REGULATIONS (Cont'd)

2.6 Definitions (Cont'd)

NSEP Treatment

The term "NSEP Treatment" denotes the provisioning of a telecommunications service before others based on the provisioning priority level assigned by the Executive Office of the President.

Octet

The term "Octet" denotes a group of eight binary digits operated upon as an entity.

Off Hook

The term "Off Hook" denotes the active condition of Switched Access or a Telephone Company local service line.

On Hook

The term "On Hook" denotes the idle condition of Switched Access or a Telephone Company local service line.

Open Circuit Test Line

The term "Open Circuit Test Line" denotes an arrangement in an end office which provides an ac open circuit termination of the trunk or line by means of an inductor of several Henries.

Optical Carrier Rate (OC-N)

The term "OC-N" denotes an Ethernet Private Line transmission signal, speed, line rate, or service and may be commonly referred to as follows:

OC-N Rate	Bandwidth Capacity
OC-1	51.84 Mbps
OC-3	155.52 Mbps
OC-12	622.08 Mbps
OC-24	1.25 Gbps
OC-48	2.488 Gbps

Order Interval

The term "Order Interval" denotes the interval between the Scheduled Issue Date and the Service Date.

---

---

## FACILITIES FOR INTERSTATE ACCESS

---

### 2. GENERAL REGULATIONS (Cont'd)

#### 2.6 Definitions (Cont'd)

##### Originating Direction

The term "Originating Direction" denotes the use of Switched Access for the origination of calls from an end user to a CDL.

##### Originating Point Code

The term "Originating Point Code (OPC)" denotes the identity assigned to each Operator Service System (OSS) location.

##### Overlap Outpulsing

The term "Overlap Outpulsing" is the feature of the exchange access signaling system which permits initiation of pulsing to the customer's premises before the calling subscriber has completed dialing an originating call.

##### OZZ Code

The term "OZZ Code" denotes the service class routing code of a multifrequency (MF) call that indicates the interexchange carrier trunk group to which the traffic will be routed (e.g., 0+, 0-, 500, 900, etc.).

##### Payload

The term "Payload" denotes the portion of the SONET signal available to carry service signals such as DS0, DS1, and DS3.

##### Physical EIS

The term "Physical EIS" denotes an offering that enables customers to place equipment needed to terminate basic transmission facilities, including optical terminating equipment and multiplexers, within or upon the Telephone Company's wire center or Telephone Company access tandem buildings, use such equipment to connect customer's fiber optic systems or microwave radio transmission facilities (where reasonably feasible) with the local exchange carrier's equipment and facilities used to provide interstate switched and special access services.

##### Plant Test Date

The term "Plant Test Date" denotes the date on which installation is completed and the Telephone Company to customer testing can begin.

---

---

FACILITIES FOR INTERSTATE ACCESS

---

2. GENERAL REGULATIONS (Cont'd)

2.6 Definitions (Cont'd)

Point of Termination

The term "Point of Termination" denotes the point of demarcation at a CDL or end user premises at which the Telephone Company's responsibility for the provision of FIA Service ends.

Premises

The term "Premises" denotes a building or buildings on continuous property (except Railroad Right of Way, etc.) not separated by a public highway.

Pre service Testing

The term "Pre service Testing" denotes tests performed on a FIA to assure standard transmission performance/parameters meet specifications prior to acceptance testing.

Primary Exchange Carrier

The term "Primary Exchange Carrier" (PEC) denotes the telephone company in whose exchange a customer's first point of switching (i.e., dial tone for FGA or BSA-A, an access tandem for FGB or BSA-B) is located.

Protocol

The term "Protocol" denotes a set of rules governing the format to be followed when transmitting information between communicating devices.

Public Pay Telephone

The term "Public Pay Telephone" denotes a switched coin line provided under the Public Telephone Service regulations of the Telephone Company General Exchange and/or Local Exchange Tariffs.

Query

The term "Query" denotes a Signaling System 7 (SS7) message requesting specific information from a data base.

---

---

FACILITIES FOR INTERSTATE ACCESS

---

2. GENERAL REGULATIONS (Cont'd)

2.6 Definitions (Cont'd)

Recoverable Cost

The term "Recoverable Cost" denotes the cost of specially constructed facilities for which the Telephone Company has a foreseeable reuse, either in place or elsewhere should the customer terminate service.

Registered Equipment

The term "Registered Equipment" denotes the customer's terminal equipment which complies with or has been approved within the Registration Provisions of Part 68 of the FCC Rules and Regulations.

Release Message

The term "Release Message" denotes an SS7 Message sent in either direction to indicate that a specific circuit is being released.

Response

The term "Response" denotes an SS7 message representing a reply to a request for information contained in a query.

Route Mileage

The term "Route Mileage" denotes the actual Telephone Company provided facility mileage of a transmission circuit.

Scheduled Issue Date

The term "Scheduled Issue Date" denotes the date the Telephone Company is scheduled to issue the confirmed ASR to all associated work groups.

---

---

FACILITIES FOR INTERSTATE ACCESS

---

2. GENERAL REGULATIONS (Cont'd)

2.6 Definitions (Cont'd)

Secondary Exchange Carrier

The term "Secondary Exchange Carrier" (SEC) denotes the telephone company in whose exchange a customer does not subscribe to FGA or BSA-A, or FGB or BSA-B service, but from whose exchange the customer's end users can call the interexchange switch or CDL of an IC in the primary exchange of another telephone company on a toll free basis.

Secure Socket Layer (SSL)

The term "Secure Socket Layer ("SSL)" denotes a security protocol that provides data encryption, server authentication, message integrity, and optional client authentication for a TCP/IP connection.

Semi Public Pay Telephone

The term "Semi Public Pay Telephone" denotes a switched coin line provided under the Semi Public Telephone Service regulations of the Telephone Company General and/or Local Tariffs.

Service Control Point

The term "Service Control Point (SCP)" denotes an SS7 network control interface element between the Telephone Company's SS7 network and one or more data bases.

Service Date

The term "Service Date" denotes the date that the FIA is to be placed in service. A confirmed ASR is required to establish a service date.

---

FACILITIES FOR INTERSTATE ACCESS

---

2. GENERAL REGULATIONS (Cont'd)

2.6 Definitions (Cont'd)

Service Switching Point (SSP)

The term "Service Switching Point" (SSP) denotes a signal point equipped with the ability to halt call process, formulate and send a SS7 query to a remote location and route the call based on information contained in the response.

Serving Wire Center

The term "Serving Wire Center" denotes the wire center from which the customer designated location would normally obtain dial tone from the Telephone Company. The "Serving Wire Center" is designated by the Telephone Company based upon the location being served.

Seven Digit Manual Test Line

The term "Seven Digit Manual Test Line" denotes a set of optional features for all Switched Access which allow the IC to select balance, milliwatt, and synchronous test lines of FGA and BSA-A, by manually dialing a seven digit number over the associated Switched Access.

Short Circuit Test Line

The term "Short Circuit Test Line" denotes the end office circuit which provides an ac short circuit termination of the trunk or line by means of a capacitor of at least 4 microfarads.

Signaling Point

The term "Signaling Point (SP)" denotes an SS7 network interface element capable of originating and/or terminating SS7 messages.

Signaling System 7 (SS7)

The term "Signaling System 7 (SS7)" denotes the layered protocol used for standardized common channel signaling in the United States.

---

---

FACILITIES FOR INTERSTATE ACCESS

---

2. GENERAL REGULATIONS (Cont'd)

2.6 Definitions (Cont'd)

Signal Transfer Point (STP)

The term "Signal Transfer Point (STP)" denotes a packet switch which provides access to the Telephone Company's SS7 network and performs SS7 message signal routing and screening. The technical interface specifications, transmission specifications, and diversity requirements for interconnecting to the Telephone Company's SS7 network at the STP are as described in Technical Reference GR-905-CORE, Issue 11.

Signal Transfer Point (STP) Port

The term "Signal Transfer Point (STP) Port" denotes the physical point of termination and interconnection to the STP.

Statistical Multiplexing

A multiplexing technique in which timeslots are dynamically allocated on the basis of need rather than being predetermined; the data is typically transmitted on a first served basis.

SONET

The term "SONET" (Synchronous Ethernet Private Line) denotes a family of fiber optic transmission bit rates starting at 51.84 Mbps, designed to provide the flexibility needed to transport many digital signals with different capacities.

Synchronous Test Line

The term "Synchronous Test Line" denotes an arrangement of an end office which performs marginal operational tests of supervisory and ring tripping functions.

Synchronous Transfer Module (STM)

STM-1 is the international equivalent SONET's OC3 transmission rate.

Synchronous Transport Signal (STS1)

The term "Synchronous Transport Signal" (STS1) denotes a 51.84 Mbps signal that is the electrical equivalent of the OC1 or a DS3 with additional Mbps devoted to SONET overhead information. An STS1 can carry a DS3 or 28 DS1s when specifically formatted (mapped). These DS1s may be accessed off-ring using DS3 to DS1 Multiplexing as set forth in Section 20 or at an enhanced node via a DS3 Transmux port.

---

## FACILITIES FOR INTERSTATE ACCESS

---

### 2. GENERAL REGULATIONS (Cont'd)

#### 2.6 Definitions (Cont'd)

##### Telecommunications Relay Service (TRS) Carriers

The term "Telecommunications Relay Service (TRS) Carriers" denotes companies/associations which provide two-way communications between an individual with a hearing or speech impairment who uses a Text Telephone or other nonvoice terminal, and an individual who does not use such a device.

##### Telecommunications Relay Service (TRS) Equal Access Interconnection

The term "Telecommunications Relay Service (TRS) Equal Access Interconnection" denotes the arrangement by which TRS Carriers interconnect with the Telephone Company to provide originating equal access to their end users. TRS Interconnection is provided from a TRS Carrier over Switched Access Entrance Facilities and Direct Trunked Transport facilities directly to a Telephone Company Access Tandem. The Telephone Company does not provide end office local switching functions with this interconnection arrangement.

##### Telecommunications Service Priority (TSP) System

The term "Telecommunications Service Priority (TSP) System" or "TSP System" refers to the regulatory, administrative and operational system authorizing and providing for priority treatment (i.e., the provisioning and restoration) of NSEP Services.

##### Temporary Facilities

The term "Temporary Facilities" denotes facilities used to provide FIA to a customer for less than the minimum service period or less than one month, whichever is longer, or to provide FIA while permanent facilities are being constructed.

##### Terminating Direction

The term "Terminating Direction" denotes the use of Switched Access for the completion of calls from a CDL to an end user.

##### Termination Liability Period

The term "Termination Liability Period" denotes the length of time the customer is liable for a termination charge in the event the Individual Case Basis (ICB) arrangement is terminated.



---

## FACILITIES FOR INTERSTATE ACCESS

---

### 2. GENERAL REGULATIONS (Cont'd)

#### 2.6 Definitions (Cont'd)

##### Toll Free

"Toll Free" is considered to mean any access service which utilizes any of the following NPAs: 800, 888, 877, 866, 855, 844, 833, and 822 as they become available to the industry.

##### Transmuxing

The term "Transmuxing" denotes the function of a DSR DS3 Transmux port which performs a DS3 to DS1 conversion at a DSR node. The DS3 to DS1 conversions allows a single DSR DS3 Transmux port to be associated with up to twenty-eight (28) VT1.5 mapped DSR DS1 ports. Transmuxing within the DSR network retains DS1 visibility allowing for full, proactive maintenance capability of DS1 signals.

##### Trunk

The term "Trunk" denotes a communications path connecting two switching systems in a network, used in an end to end connection.

##### Trunk Group

The term "Trunk Group" denotes a grouping of trunks which are traffic engineered as a unit for the establishment of connections between switching systems in which all of the communications paths are interchangeable.

##### Trunk Side Connection

The term "Trunk Side Connection" denotes the connection of a transmission path to the trunk side of an end office switch.

##### U.S. Domestic Offshore Points

The term "U.S. Domestic Offshore Points" denotes any U.S. location that is not part of the conterminous United States.

##### V&H Coordinates Method

The term "V&H Coordinates Method" denotes a method of computing airline miles between two points by utilizing an established formula which is based on the Vertical (V) and Horizontal (H) coordinates of the two points.

---

## FACILITIES FOR INTERSTATE ACCESS

---

### 2. GENERAL REGULATIONS (Cont'd)

#### 2.6 Definitions (Cont'd)

##### Virtual EIS

The term "Virtual EIS" denotes an offering that enables customers to designate or specify equipment needed to terminate basic transmission facilities, including optical terminating equipment and multiplexers, to be located within or upon Telephone Company's wire center or access tandem buildings, and dedicated to such customers use.

##### Virtual Connection

The term "Virtual Connection" denotes a logical channel resulting from call establishment to a network address that exists until the call is terminated by either party.

##### WATS Serving Office

The term "WATS Serving Office" denotes a Telephone Company designated serving wire center where switching, screening and/or recording functions are performed in connection with a Special Access Line used with a Switching Interface as in 4.2.5(V) #.

##### Wire Center

The term "Wire Center" denotes a location in which one or more central office switches, and cross connection equipment used for the provision of Telephone Company telecommunications services, are located.

##### Wire Center Area

The term "Wire Center Area" denotes the geographic area served by a Wire Center through the use of central office switching equipment, cross connection equipment, and subscriber loops.

- # The use of the terms WATS or WATS type throughout this Guide is primarily for ordering purposes and is not intended to restrict the use of the customer services when ordering Special Access and Switched Access in combination.

---

FACILITIES FOR INTERSTATE ACCESS

---

2. GENERAL REGULATIONS (Cont'd)

2.7 FIA Services Provided By More Than One Telephone Company

2.7.1 General

When Special Transport service is provided by more than one telephone company, the telephone companies involved will mutually agree upon one of the billing methods based upon the type of access service and the interconnection arrangements between the telephone companies.

The telephone company will notify the customer which billing method will be used. The customer will place the ASR as in 3.3.

2.7.2 Reserved

2.7.3 Meet Point Billing

Meet Point Billing is required when an access service is provided by multiple Telephone Companies\* for Special Access.

- \* Meet Point Billing option guidelines, as contained in the MECAB Guidelines, may also be applied to FIA services provided by one exchange carrier in two or more states within a single LATA.

---

FACILITIES FOR INTERSTATE ACCESS

---

2. GENERAL REGULATIONS (Cont'd)

2.7 FIA Services Provided By More Than One Telephone Company (Cont'd)

2.7.3 Meet Point Billing (Cont'd)

(A) Reserved

---

FACILITIES FOR INTERSTATE ACCESS

---

2. GENERAL REGULATIONS (Cont'd)

2.7 FIA Services Provided By More Than One Telephone Company (Cont'd)

2.7.3 Meet Point Billing (Cont'd)

(A) Reserved

---

FACILITIES FOR INTERSTATE ACCESS

---

2. GENERAL REGULATIONS (Cont'd)

2.7 FIA Services Provided By More Than One Telephone Company (Cont'd)

2.7.3 Meet Point Billing (Cont'd)

(A) Reserved

---

FACILITIES FOR INTERSTATE ACCESS

---

2. GENERAL REGULATIONS (Cont'd)

2.7 FIA Services Provided By More Than One Telephone Company (Cont'd)

2.7.3 Meet Point Billing (Cont'd)

(A) Reserved

---

FACILITIES FOR INTERSTATE ACCESS

---

2. GENERAL REGULATIONS (Cont'd)

2.7 FIA Services Provided By More Than One Telephone Company (Cont'd)

2.7.3 Meet Point Billing (Cont'd)

(B) Multiple Bill Option

The Multiple Bill option allows all Telephone Companies providing service to bill the customer for their portion of a jointly provided access service. Each Telephone Company will:

- determine its portion of the Switched Transport and/or Special Transport as set forth in 2.7.3(C);
- determine the applicable charges and bill in accordance with its tariff;
- include all recurring and nonrecurring rates and charges of its tariff; and
- forward the bill to the customer.

The customer will remit the payments directly to each Telephone Company.

(C) Meet Point Billing Mileage Calculation

Each Telephone Company's portion of the Special Transport mileage will be determined as follows:

- (2) Determine the billing percentage (BP), as set forth in the NECA Tariff FCC No. 4. This represents the portion of the Service provided by each telephone company.



---

FACILITIES FOR INTERSTATE ACCESS

---

2. GENERAL REGULATIONS (Cont'd)

2.7 FIA Services Provided By More Than One Telephone Company (Cont'd)

2.7.3 Meet Point Billing (Cont'd)

(C) Meet Point Billing Mileage Calculation (Cont'd)

---

FACILITIES FOR INTERSTATE ACCESS

---

2. GENERAL REGULATIONS (Cont'd)

2.7 FIA Services Provided By More Than One Telephone Company (Cont'd)

2.7.3 Meet Point Billing (Cont'd)

(C) Meet Point Billing Mileage Calculation (Cont'd)

(3) (Cont'd)

(4) For Special Access and, multiply the number of airline miles as in (1), times the BP for each telephone company as in (2), times the Special Transport or Direct-Trunked Transport Facility rate elements. For DS1 and DS3 Special Transport and DS1 and DS3 Direct-Trunked Transport, multiply the Special Transport Termination or Direct-Trunked Transport Termination rate times the number of terminations provided by the Telephone Company.

---

FACILITIES FOR INTERSTATE ACCESS

---

2. GENERAL REGULATIONS (Cont'd)

2.7 FIA Services Provided By More Than One Telephone Company (Cont'd)

2.7.3 Meet Point Billing (Cont'd)

- (D) All other appropriate recurring and nonrecurring charges in each telephone company's Access tariff are applicable.
  - (E)
  - (F)
  - (G)
  - (H) For tandem routed trunks, the dedicated trunk port shall be billed by the Telephone Company owning the tandem. For end office direct routed trunks, the dedicated trunk port shall be billed by the Telephone Company owning the end office on a multiple tariff meet point billing arrangement.
  - (I) The shared multiplexing charge will be assessed to the interexchange carrier by the Telephone Company owning the access tandem under the multiple bill, multiple tariff meet point billing option.
-

---

FACILITIES FOR INTERSTATE ACCESS

---

2. GENERAL REGULATIONS (Cont'd)

2.7 FIA Services Provided By More Than One Telephone Company (Cont'd)

2.7.4 Zone Density Meet Point Billing

When the Switched Transport facility (Direct-Trunked or Tandem-Switched Transport) and/or Special Transport is provided by more than one telephone company the following regulations apply:

(A) Switched Access

(1) End Office or Access Tandem is in the Telephone Company's Territory:

- (a) Distance sensitive transport provided by the Telephone Company will be rated according to the zone of the Telephone Company's end office or Telephone Company's access tandem.
- (b) The transport termination provided by the Telephone Company will be rated according to the zone assigned to the Telephone Company's end office or Telephone Company's access tandem.
- (c) Tandem Switching will be rated according to the zone of the Telephone Company's access tandem.

(2) The Telephone Company is intermediate provider of the transport:

- (a) Distance sensitive transport will be rated at Zone 1/Band A rates.
  - (b) The transport termination rate does not apply if the Telephone Company is the intermediate provider of the transport facility.
-

---

FACILITIES FOR INTERSTATE ACCESS

---

2. GENERAL REGULATIONS (Cont'd)

2.7 FIA Services Provided By More Than One Telephone Company (Cont'd)

2.7.4 Zone Density Meet Point Billing (Cont'd)

(B) Special Access

- (1) End Office or Access Tandem is in the Telephone Company's Territory
    - (a) Special transport provided by the Telephone Company will be rated according to the zone of the Telephone Company's end office or Telephone Company's access tandem.
    - (b) The transport termination provided by the Telephone Company will be rated according to the zone assigned to the Telephone Company's end office or Telephone Company's access tandem.
  - (2) The Telephone Company is intermediate provider of the transport.
    - (a) Distance Sensitive Transport will be rated at Zone 1/Band A rates.
    - (b) The transport termination rate does not apply if the Telephone Company is the intermediate provider of the transport facility.
-

---

FACILITIES FOR INTERSTATE ACCESS

---

2. GENERAL REGULATIONS (Cont'd)

2.8 Service Level Agreements

2.8.1 Basic Service Level Agreements (Basic SLAs)

Regulations pertaining to Basic SLAs are contained in this Guide as specified following:

Credit Allowance for FIA Interruptions 2.8.1.1

---

FACILITIES FOR INTERSTATE ACCESS

---

2. GENERAL REGULATIONS (Cont'd)

2.8 Service Level Agreements (Cont'd)

2.8.1 Basic Service Level Agreements (Basic SLAs) (Cont'd)

2.8.1.1 Credit Allowance for FIA Interruptions

(A) General

A FIA is interrupted when it becomes unusable to the customer because of a failure of a component used to furnish FIA under this Guide, or when the service is preempted as a result of invoking NSEP Treatment or when the application of protective controls interrupt all transmission paths as set forth in 4.2.9 following. An interruption period starts when the Telephone Company personnel are notified by the customer that the FIA is inoperative.

The credit allowance(s) for an interruption or for a series of interruptions will be computed based upon the billing method which applies to the service being credited. In no case will the credit allowance for service interruptions exceed the applicable charges for the billing period during which the interruption occurred.

Subject to Section 2.8.4(B) following, in case of an interruption to any service, credit allowance for the period of interruption shall be as follows:

- (1) For Special Access services other than Program Audio, Videoband and Expanded Interconnection, and for Switched Access Entrance Facilities, Direct-Trunked Transport and Multiplexing services a credit allowance will be made for an interruption period of 30 minutes or more. The allowance will be calculated at the rate of 1/1440 of the monthly charge for the portion of the FIA affected, for each 30 minutes or major fraction thereof that the interruption continues. A major fraction is considered to be sixteen minutes or more beyond the 30 minute period.

---

FACILITIES FOR INTERSTATE ACCESS

---

2. GENERAL REGULATIONS (Cont'd)

2.8 Service Level Agreements (Cont'd)

2.8.1 Basic Service Level Agreements (Basic SLAs) (Cont'd)

2.8.1.1 Credit Allowance for FIA Interruptions (Cont'd)

(A) General (Cont'd)

- (2) For Program Audio and Videoband Special Access services, a credit allowance will be made for an interruption of 30 seconds or more. Two or more such interruptions occurring during a period of 5 consecutive minutes shall be considered as one interruption. The allowance will be calculated as follows:
- (a) For Program Audio Service provided at monthly rates, the credit will be at the rate of 1/8640 of the monthly service rate.
  - (b) For Program Audio Service provided at daily rates, the credit will be at the rate of 1/288 of the daily rate.
  - (c) For Temporary Videoband Service provided at hourly rates, the credit will be at 1/12 of the hourly rate.
- (3) Except as noted, all Special Access Services will be eligible for a credit allowance for each occurrence of a service interruption period greater than 30 minutes. The maximum credit allowance will be \$200.00 for each out of service condition within the Telephone Company's facilities and will not exceed the monthly charge for the interrupted service. The credit allowance will not be applied more than once per calendar month. This credit allowance is applicable in all jurisdictions. The credit allowance is in addition to the credit allowance in 2.8.1.1(A)(1) and 2.8.1.1(A)(2). A credit allowance will not be extended in accordance with conditions in 2.1.3(G) and 2.8.1.1(B) for repair of Telephone Company owned facilities.



---

FACILITIES FOR INTERSTATE ACCESS

---

2. GENERAL REGULATIONS (Cont'd)

2.8 Service Level Agreements (Cont'd)

2.8.1 Basic Service Level Agreements (Basic SLAs) (Cont'd)

2.8.1.1 Credit Allowance for FIA Interruptions (Cont'd)

(A) General (Cont'd)

(3) (Cont'd)

The exceptions to this credit allowance are, Part-time Program Audio Service in 5.2.3, Videoband I and II Services in 5.2.4, Miscellaneous Special Access Services in 5.8 and Individual Case Basis Services in 5.9.

- \* Section 2.8.1.1(A)(3) is not available for Special Access Services installed after June 1, 2006. The preceding sentence applies to both Special Access Services that are provided on a month-to-month basis and Special Access Services that are provided under a Discount Plan (as defined below).

For Special Access Services installed on or before June 1, 2006, Section 2.8.1.1(A)(3) will not be available as follows:

- (a) For Special Access Services provided on a month-to-month basis, after June 1, 2006.
- (b) For Special Access Services provided under a Discount Plan (as defined below), after the date of expiration, termination, or cancellation of the Discount Plan commitment period that is in effect on June 1, 2006.
- (c) For Special Access Services provided under a Discount Plan (as defined below) that are covered by a National Service Level Agreement Plan, during the period that a customer participates in such National Service Level Agreement Plan. The customer has the option to subscribe to National Service Level Agreement Plans as set forth in Section 2.8.3 and/or Section 5.6.20 following. Nothing in this paragraph (c) shall in any way limit the effect of paragraph (b) preceding.

As used in this note, "Discount Plan" means any tariff arrangement for the provision of Special Access Services other than on a month-to-month basis.

For any month for which a Special Access Service receives a credit allowance under Section 2.8.1.1(A)(3), that Special Access Service shall not receive a credit allowance under Section 2.8.1.1 (A)(4).

---

FACILITIES FOR INTERSTATE ACCESS

---

2. GENERAL REGULATIONS (Cont'd)

2.8 Service Level Agreements (Cont'd)

2.8.1 Basic Service Level Agreements (Basic SLAs) (Cont'd)

2.8.1.1 Credit Allowance for FIA Interruptions (Cont'd)

(A) General (Cont'd)

- (4) For certain Special Access services, a Special Access Service Guarantee (SASG) credit allowance will apply in the event that such services experience a service interruption of four or more consecutive hours except as specified in 2.8.4(B) following. The SASG credit allowance will apply to Voiceband, monthly Program Audio, Video Digital Transport Service-Type II, Digital Data Service (DDS), and High Capacity DS1 & DS3 Special Access services (collectively, Special Access Services).

The customer has the option to subscribe to National SLA Plans as set forth in Section 2.8.3 and/or Section 5.6.20 following. When a customer subscribes to a National SLA Plan, SASG credit allowances under this Section 2.8.1.1(A)(4) do not apply to services covered by the National SLA Plan.

If a Special Access Service is eligible for an SASG credit allowance, the Telephone Company shall provide the applicable credit amount as set forth in the table following. The Telephone Company shall bill customer the applicable monthly rate for the Special Access Service, and if customer is eligible to receive the SASG credit allowance, the customer shall receive the SASG credit in a later invoice. Except as stated in this Guide, the SASG credit allowance is in addition to any other credit allowances available under this Section 2.8.1.1. The maximum amount of all credit allowances available under this Section 2.8.1.1 for a Special Access Service for a given billing period shall not exceed the total applicable monthly charge paid by the customer for such Special Access Service. The monthly charge will consist of all applicable rate elements charged to the circuit experiencing the service interruption. The SASG credit allowance can only be applied once per month on a per circuit basis. For multi-point circuits, the SASG credit allowance will apply to each leg of the circuit that experiences a service interruption.

---

FACILITIES FOR INTERSTATE ACCESS

---

2. GENERAL REGULATIONS (Cont'd)

2.8 Service Level Agreements (Cont'd)

2.8.1 Basic Service Level Agreements (Basic SLAs) (Cont'd)

2.8.1.1 Credit Allowance for FIA Interruptions (Cont'd)

(A) General (Cont'd)

(4) (Cont'd)

The Special Access Service Guarantee (SASG) credit allowance, for each applicable service is listed below and applies to all states:

Service	SASG (per circuit)
Voiceband	\$20.00
Full-time Program Audio (provided at monthly rates)	
200 – 3500 Hz	10.00
100 – 5000 Hz	15.00
50 – 8000 Hz	20.00
50 – 15000 Hz	25.00
Video Digital Transport Service – Type II (monthly, 1-year, 2-year, 3-year & 5-year plans)	100.00
Digital Data Service (DDS)	
2.4 kbps	40.00
4.8 kbps	45.00
9.6 kbps	50.00
19.2 kbps	55.00
56.0 kbps	60.00
64.0 kbps	65.00
High Capacity	
DS1	160.00
DS3	400.00

---

---

FACILITIES FOR INTERSTATE ACCESS

---

2. GENERAL REGULATIONS (Cont'd)

2.8 Service Level Agreements (Cont'd)

2.8.1 Basic Service Level Agreements (Basic SLAs) (Cont'd)

2.8.1.1 Credit Allowance for FIA Interruptions (Cont'd)

(A) General (Cont'd)

(5) For Switched Access service, billed using assumed minutes of use, a credit allowance will be made for an interruption of 24 hours or more. The credit allowance will be calculated at 1/30 of the assumed minutes of use charge for each 24 hours or major fraction thereof that the interruption continues. A major fraction is considered to be 13 hours. No credit will be given where Switched Access billing is based on actual usage.

(6) For Switched Access service interrupted by an NXX isolation a credit will be given the billed customer of record utilizing the following formula:

300 Minutes of Use X the appropriate switched access rate X the number of trunks out of service = the credit allowance

NXX isolation is defined as a situation whereby a customer in an NPA-NXX is unable to originate a call to the carrier network and/ or receive a call from the carrier network.

The credit will apply when an out of service condition of 30 minutes or more occurs within the Telephone Company's switched facilities. The credit allowance will not be applied more than once per calendar month. A credit allowance will not be extended in accordance with conditions in 2.1.3(G) and 2.8.4(B) for repair of Telephone Company owned facilities.

(7) Switched Access Service Entrance Facilities, Direct-Trunked Transport and Multiplexing will be eligible for a credit allowance for each occurrence of a service interruption period greater than 30 minutes. The maximum credit allowance will be \$200.00 for each out of service condition within the Telephone Company's facilities. The credit allowance will not exceed the monthly charge for the interrupted service and will not be applied more than once per calendar month. This credit allowance is applicable in all jurisdictions. A credit allowance will not be extended in accordance with conditions in 2.1.3(G) and 2.8.4(B) for repair of Telephone Company owned facilities.

---

---

FACILITIES FOR INTERSTATE ACCESS

---

2. GENERAL REGULATIONS (Cont'd)

2.8 Service Level Agreements (Cont'd)

2.8.1 Basic Service Level Agreements (Basic SLAs) (Cont'd)

2.8.1.1 Credit Allowance for FIA Interruptions (Cont'd)

(A) General (Cont'd)

(8) For Common Channel Signaling System 7 (CCS7) Access Service, described in 4.2.10, a credit allowance will be made for an interruption period of 30 minutes or more. The allowance will be calculated at the rate of 1/1440 of the monthly charge for the portion of the service affected, for each 30 minutes or major fraction thereof that the interruption continues. A major fraction is considered to be 16 minutes or more beyond the 30-minute period.

(9) An out of service credit will apply for the following Optical Networking rate elements, where applicable, should the service be interrupted due to the Telephone Company's system's failure to switch to protected electronics and/or facilities within one (1) second in those locations connected to the Telephone Company surveillance system unless such interruptions are a result of conditions outside the Telephone Company's control:

- ON-net Banded Optical Transport provisioned via ring topology

Credit will be predicated on information provided by the Telephone Company's and the customer's network surveillance systems associated with this service arrangement. The Telephone Company and the customer shall each have the opportunity to perform an annual inspection of the other party's network surveillance system to confirm its accuracy. The out-of-service credit will be calculated based on the monthly rate element charges of that portion of the inter-office network rendered inoperative. A maximum limit of one month's recurring charge per rate element will be allotted for an interruption or series of interruptions within any one billing period.

The credit allowance for all other Optical Networking access services will be as shown in 2.8.1.1(A)(1) and (3).

(10) For Dedicated SONET Entrance Facilities, any single service outage of one (1) hour or more and due solely to a Telephone Company facility failure will result in a credit of one hundred percent (100%) of the monthly rate for the applicable DSEF rate elements affected. Only one such credit is allowed in a single month's billing period.

---

FACILITIES FOR INTERSTATE ACCESS

---

2. GENERAL REGULATIONS (Cont'd)

2.8 Service Level Agreements (Cont'd)

2.8.1 Basic Service Level Agreements (Basic SLAs) (Cont'd)

2.8.1.1 Credit Allowance for FIA Interruptions (Cont'd)

(B) When a Credit Allowance Does Not Apply

Services will not be eligible for credits when any of the conditions set forth in Section 2.8.4(B) following exist.

(C) Use of an Alternative Service Provided by the Telephone Company

Should the customer elect to use an alternative service provided by the Telephone Company during the period that a FIA is interrupted, the customer must pay the tariffed rates and charges for the alternative service used.

(D) Temporary Surrender of a FIA

In certain instances, the customer may be requested to surrender a FIA for purposes other than maintenance, testing or activity relating to an ASR. If the customer consents, or in the instance of preemption under NSEP Treatment as set forth in Section 2.1.9 preceding, a credit allowance will be granted. The credit allowance will be determined in accordance with 2.8.1.1(A) and (B) preceding.

---

FACILITIES FOR INTERSTATE ACCESS

---

2. GENERAL REGULATIONS (Cont'd)

2.8 Service Level Agreements (Cont'd)

2.8.2 Enhanced Service Level Agreements (Enhanced SLAs)

Regulations pertaining to Enhanced SLAs are contained in this Guide as specified following:

Integrated Optical Service Rider SLAs

2.8.2.1

---

FACILITIES FOR INTERSTATE ACCESS

---

2. GENERAL REGULATIONS (Cont'd)

2.8 Service Level Agreements (Cont'd)

2.8.2 Enhanced Service Level Agreements (Enhanced SLAs)

2.8.2.1 Integrated Optical Service Rider SLAs

(A) General

- (1) With the exception of those Integrated Optical Service Riders provided subject to Section 24.1.3 following, the SLAs set forth in this Section 2.8.2.1 apply to all other Integrated Optical Service Riders set forth in Section 24.1 following ("Qualifying Services").
- (2) The monthly recurring rate(s) for the Qualifying Service are the Integrated Optical Service Rider Appearances.
- (3) To receive credit, the Telephone Company must receive from the customer a written request for credit within sixty (60) calendar days of the end of the calendar month in which the SLA threshold was missed. The customer's request for credit must be submitted to the appropriate Telephone Company in a manner mutually agreed upon by the Telephone Company and the customer. The request must include a list of the identification numbers of all impacted circuits.

(B) Availability

- (1) Availability refers to the percentage of time over a calendar month that a Qualifying Service is able to transmit data over the Telephone Company's integrated optical service. A Qualifying Service is unavailable if data cannot be transmitted because of a failure of a facility component within the Telephone Company's integrated optical service that is used to furnish the Qualifying Service provided under this Guide.
  - (2) Availability is calculated as follows:  $\text{Availability} = (1440 \times \text{Number of Days in Month}) - (\text{Number of Minutes the Service is unavailable during Month}) / (1440 \times \text{Number of Days in Month})$ . The number of minutes the Service is unavailable is as determined by the Telephone Company.
  - (3) The Telephone Company threshold for Availability under this Section in a calendar month is 99.999%.
-



---

FACILITIES FOR INTERSTATE ACCESS

---

2. GENERAL REGULATIONS (Cont'd)

2.8 Service Level Agreements (Cont'd)

2.8.2 Enhanced Service Level Agreements (Enhanced SLAs) (Cont'd)

2.8.2.1 Integrated Optical Service Rider SLAs (Cont'd)

(B) Availability (Cont'd)

- (4) If Availability under this Section is less than the threshold, then a credit equal to twenty-five percent (25%) of the monthly recurring rate(s) for the affected Qualifying Service applies. Only one (1) such credit is allowed in a single month's billing period.

(C) Mean Time to Restore (MTTR)

- (1) MTTR applies to an interruption of service that is within the Telephone Company's integrated optical service.
- (2) Interruption of service is defined as a condition which renders a Qualifying Service unusable to the customer (i.e., data cannot be transmitted) because of a failure of a facility within the Telephone Company's integrated optical service that is used to furnish the Qualifying Service under this Guide. The Telephone Company will initiate a trouble ticket on all DS1 Qualifying Service interruptions reported by the customer. The Telephone Company will initiate a trouble ticket on all DS3 Qualifying Service interruptions reported by the customer and/or detected by the Telephone Company's network.

---

FACILITIES FOR INTERSTATE ACCESS

---

2. GENERAL REGULATIONS (Cont'd)

2.8 Service Level Agreements (Cont'd)

2.8.2 Enhanced Service Level Agreements (Enhanced SLAs) (Cont'd)

2.8.2.1 Integrated Optical Service Rider SLAs (Cont'd)

(C) Mean Time to Restore (MTTR) (Cont'd)

(3) MTTR for a calendar month shall be the average of all Time to Restore (TTR), as calculated by the Telephone Company. The TTR is the period of time the Qualifying Service is unavailable between the opening and closing of the trouble ticket, minus any stop clock time that was logged against the trouble ticket. Stop clock time includes, by way of example, the following times:

- Periods when customer testing is occurring.
- Periods when the customer is working on its own Customer Premises Equipment (CPE) and has not yet released the Qualifying Service to the Telephone Company for maintenance, testing or repair.
- Periods when the Telephone Company is awaiting customer authorization to commence work on the Qualifying Service.
- Periods when the Telephone Company is denied access to premises or facilities necessary to diagnose, repair, or test a Qualifying Service.
- Periods following repair of the Qualifying Service when the ticket is held open by the customer to ensure the trouble is resolved.

(4) MTTR is calculated by summing TTR for all measured tickets for the customer for the calendar month and dividing by the total number of tickets for that customer during that month.

(5) MTTR excludes any subsequent reports (i.e., additional customer inquiries while the trouble is pending), CPE troubles, trouble found on the customer's side of the point of demarcation, no trouble found, troubles closed due to customer action, force majeure events, and troubles repaired by the Telephone Company prior to receipt of a trouble report on that Qualifying Service.

---

FACILITIES FOR INTERSTATE ACCESS

---

2. GENERAL REGULATIONS (Cont'd)

2.8 Service Level Agreements (Cont'd)

2.8.2 Enhanced Service Level Agreements (Enhanced SLAs) (Cont'd)

2.8.2.1 Integrated Optical Service Rider SLAs (Cont'd)

(C) Mean Time to Restore (MTTR) (Cont'd)

- (6) The threshold for MTTR in a calendar month is 2.5 hours for Qualifying Services.
- (7) If the MTTR is greater than 2.5 hours over the calendar month for all of customer's Qualifying Services, then a credit equal to twenty-five percent (25%) of the monthly recurring rate(s) for the affected Qualifying Service applies for those Qualifying Services that were the subject of a trouble ticket during the measured calendar month whose TTR exceeded 2.5 hours. Only one (1) such credit is allowed in a single month's billing period. If the MTTR is 2.5 hours or less on all of customer's Qualifying Services, then no credit applies to any Qualifying Service, even if the TTR on a particular Qualifying Service exceeded such threshold.

- (D) Qualifying Services will not be included in threshold measurements under this Section 2.8.2.1 and will not be eligible for credits under this Section 2.8.2.1, when any of the conditions set forth in Section 2.8.4(B) following exist.
-

---

FACILITIES FOR INTERSTATE ACCESS

---

2. GENERAL REGULATIONS (Cont'd)

2.8 Service Level Agreements (Cont'd)

2.8.3 When a Credit Allowance Does Not Apply

---

FACILITIES FOR INTERSTATE ACCESS

---

2. GENERAL REGULATIONS (Cont'd)

2.8 Service Level Agreements (Cont'd)

2.8.3 When a Credit Allowance Does Not Apply (Cont'd)

(B) FIA Interruptions/Mean Time to Restore/Availability

This Section 2.8.4(B) applies to and supplements Section 2.8.1.1 preceding, Credit Allowance for FIA Interruptions; Section 2.8.2 preceding, Enhanced Service Level Agreements; and Section 2.8.3 preceding, National Service Level Agreements. Services will not be included in performance measurements and credits will not apply:

- (1) When the customer fails to report the interruption to the Telephone Company (excluding DS3 Integrated Optical Service Riders); or
- (2) When the interruption was caused by the act or omission of the customer or a party authorized by the customer to use the service; or
- (3) When the interruption was due to the failure of power, equipment, service, or systems provided by the customer or persons other than the Telephone Company; or
- (4) For any period in which the Telephone Company is not afforded access to the premises where the service is terminated; or
- (5) When the customer has released the service to the Telephone Company for maintenance purposes, to make rearrangements, or for the implementation of an order for a change in the service, during the time that was negotiated with the customer prior to the release of that service (thereafter, a credit allowance as set forth in this Section 2.8 applies); or
- (6) For any period of scheduled maintenance or scheduled downtime where the customer has received prior notification from the Telephone Company; or
- (7) When interruptions occur or continue because of the failure of the customer to authorize the replacement of any element of special construction; or

---

FACILITIES FOR INTERSTATE ACCESS

---

2. GENERAL REGULATIONS (Cont'd)

2.8 Service Level Agreements (Cont'd)

2.8.3 When a Credit Allowance Does Not Apply (Cont'd)

(B) FIA Interruptions/Mean Time to Restore/Availability (Cont'd)

- (8) For periods when the customer elects not to release the service for testing and/or repair; or
- (9) For periods of temporary discontinuance as set forth in Section 2.2.1 preceding; or
- (10) During periods of interruption as set forth in Section 6.3 following; or
- (11) When an interruption is required, permitted or excused by this Guide; or
- (12) For interruptions, failures or delays due to acts of God or the public enemy, compliance with any law or any regulation or order of any governmental authority, acts of terrorism, war, rebellion, insurrection or sabotage or damage resulting therefrom, fires, floods, earthquakes, volcanic action, unusually severe weather, explosions, washouts, rules and regulations with regard to common carriers, accidents, epidemics, riots, strikes or other concerted acts of employees, whether direct or indirect, lockouts or other industrial disturbances, whether direct or indirect, worms, viruses or other contaminants that may cause damage to or disable software, computer or electronic systems, or any similar cause, or other causes beyond the Telephone Company's reasonable control (except that, this Section 2.8.4(B)(12) does not apply to Section 2.8.1.1, excluding the SASG as set forth in Section 2.8.1.1(A)(4), to which this Section 2.8.4(B)(12) shall apply); or
- (13) For an interruption, or a group of interruptions resulting from a common cause, for amounts less than one dollar; or
- (14) For any interruption of an EIS or EIS elements as described in Section 17 following.

---

FACILITIES FOR INTERSTATE ACCESS

---

2. GENERAL REGULATIONS (Cont'd)

2.9 Sale or Transfer of an Operating Telephone Company's Assets and/or Stock to an Unaffiliated Third Party

This Section 2.9 shall apply: (i) if the Telephone Company sells or transfers all or a portion of the assets or stock of an Operating Telephone Company (e.g., Frontier North, Inc.) to an unaffiliated third party ("Transfer"); and (ii) a service offering or Service Level Agreement (SLA) of this Guide as referenced in this Section 2.9 does not include terms and conditions relating to a Transfer.

2.9.1 General

The terms and conditions set forth in Section 2.9.2 following shall apply:

- (A) when a customer subscribes to a service offering under this Guide that aggregates the customer's purchases from the Telephone Company to measure compliance with such service offering or the customer participates in a SLA that aggregates the customer's measured transactions, and:
- (B) the service offering or SLA does not include terms and conditions pertaining to a Transfer; and
- (C) as a result of the Transfer, one or more of the following conditions occur solely as a result of the Telephone Company no longer providing the same quantity of services:
  - (1) the customer no longer satisfies the minimum requirements of the service offering or SLA;
  - (2) the customer is subject to a related penalty, termination liability or cancellation;
  - (3) the customer is subject to a change in the tier of a volume table or a rate table; and
  - (4) the customer is subject to a change in the rate level of the service offering.

---

FACILITIES FOR INTERSTATE ACCESS

---

2. GENERAL REGULATIONS (Cont'd)

2.9 Sale or Transfer of an Operating Telephone Company's Assets and/or Stock to an Unaffiliated Third Party (Cont'd)

2.9.2 Undertaking of the Telephone Company Following a Transfer

When the conditions set forth in 2.9.1 preceding exist, the Telephone Company will utilize the following terms and conditions, as applicable.

(A) If the service offering includes specific minimum ordering requirements for participation, or requires that the customer achieve a minimum number of services, minimum number of rate elements, and/or minimum revenue within a specific geographic area in order to continue its subscription to the service offering or participation in a pricing plan for such service offering (each, a Minimum Requirement), the Telephone Company will apply the terms and conditions of this Section 2.9.2(A). The following service offerings have Minimum Requirements that are subject to this Section 2.9.2(A).

- Call Management Signaling Service as set forth in Section 6.19(D) following
- Directory Assistance Service/Preferred Directory Assistance Service as set forth in Section 8.1.1 following
- Banded Optical Transport as set forth in Sections 11.8.1(F) and 20(D)(2)(f) following
- TCP/IP Data Aggregation Service as set forth in Section 16.5 following

In the event of a Transfer, the following applies.

- (1) The Telephone Company will, consistent with the service offering, determine if the customer satisfies the Minimum Requirement for the service offering with the reduced quantity of services the Telephone Company provides to the customer following the Transfer; and



---

FACILITIES FOR INTERSTATE ACCESS

---

2. GENERAL REGULATIONS (Cont'd)

2.9 Sale or Transfer of an Operating Telephone Company's Assets and/or Stock to an Unaffiliated Third Party (Cont'd)

2.9.2 Undertaking of the Telephone Company Following a Transfer (Cont'd)

(A) (Cont'd)

- (2) if the customer does not satisfy the Minimum Requirement following the Transfer, determine if the customer would have satisfied the Minimum Requirement had the Transfer not occurred. If the customer would have satisfied the Minimum Requirement had the Transfer not occurred, then no further action shall be taken and the customer will be considered to have satisfied the Minimum Requirement. If the customer would not have satisfied the Minimum Requirement had the Transfer not occurred, then the terms and conditions for such result shall apply under the applicable service offering, except that the calculation of any penalty associated with not satisfying the Minimum Requirement shall be reduced pro-rata to reflect the Transfer. Upon renewal of the customer's commitment period for such service offering or subsequent subscription to such service offering, as applicable, the terms and conditions set forth in the applicable section(s) of this Guide shall apply, including satisfying the Minimum Requirement for such service offering using only the quantity of services the customer purchases from the Telephone Company at the time of renewal or subsequent subscription.

---

FACILITIES FOR INTERSTATE ACCESS

---

2. GENERAL REGULATIONS (Cont'd)

2.9 Sale or Transfer of an Operating Telephone Company's Assets and/or Stock to an Unaffiliated Third Party (Cont'd)

2.9.2 Undertaking of the Telephone Company Following a Transfer (Cont'd)

(A) (Cont'd)

(2) (Cont'd)

For example, assume Frontier Dallas TX Fiber 1 LLC transfers a portion of its assets to an unaffiliated third party. Further assume that a customer subscribes to Call Management Signaling Service under Section 6.19(D) following which has a minimum monthly billing of one million (1,000,000) call signals per month. Also assume that following the Transfer, the volume of call signals recorded for the customer at the next scheduled review is nine hundred fifty thousand (950,000), and that an estimated one hundred thousand (100,000) call signals were associated with the services transferred to the unaffiliated third party. In this case, the Telephone Company would determine if the customer would have satisfied the minimum number of call signals had the Transfer not occurred by adding (i) the estimated number of call signals associated with the services transferred to the unaffiliated third party and; (ii) the recorded number of call signals for the period of review [950,000 + 100,000 = 1,050,000 call signals]. Based on this calculation, the customer would have satisfied the Minimum Requirement and will not incur any shortfall charges. However, if the result of such calculation was that the customer still did not satisfy the Minimum Requirement for the service, then the terms and conditions for such result shall apply under Section 6.19(D) following, except that the calculation of shortfall charges shall be reduced pro-rata to reflect the Transfer.

---

FACILITIES FOR INTERSTATE ACCESS

---

2. GENERAL REGULATIONS (Cont'd)

2.9 Sale or Transfer of an Operating Telephone Company's Assets and/or Stock to an Unaffiliated Third Party (Cont'd)

2.9.2 Undertaking of the Telephone Company Following a Transfer (Cont'd)

- (B) If the service offering requires that the customer commit a minimum number of the services or rate elements that the customer purchases from the Telephone Company and maintain such minimum during the term of the service offering (a Commitment Level), and the service offering does not apply rates or credits based on a volume based tier structure, the Telephone Company will apply this Section 2.9.2(B). The following service offering has a Commitment Level that is subject to this Section 2.9.2(B).

In the event of a Transfer, the following applies.

- (1) The Telephone Company will recalculate the Commitment Level for the duration of the current term to reflect the removal of the services the Telephone Company no longer provides to the customer solely as a result of the Transfer; and
- (2) use the reduced Commitment Level in all subsequent reviews/true-ups that measure the customer's compliance with established requirements for the service offering for the balance of the current term unless otherwise revised by: (i) the customer in accordance with the terms and conditions of the service offering; or (ii) the terms and conditions of such service offering. Upon renewal of the customer's term for such service offering, the terms and conditions set forth in the applicable section(s) of this Guide shall apply, including establishment of a new Commitment Level using only the quantity of services the customer purchases from the Telephone Company at the time of renewal.
- (3) If, after reducing the Commitment Level under (2) preceding, the customer is below the minimum combined national commitment level of five hundred (500) Four-wire Voiceband and DDS SALs as required under Section 5.6.13(B) following, the Telephone Company will determine if the customer would have satisfied such minimum requirement had the Transfer not occurred and apply the same actions applied under (A)(2) preceding.

---

FACILITIES FOR INTERSTATE ACCESS

---

2. GENERAL REGULATIONS (Cont'd)

2.9 Sale or Transfer of an Operating Telephone Company's Assets and/or Stock to an Unaffiliated Third Party (Cont'd)

2.9.2 Undertaking of the Telephone Company Following a Transfer (Cont'd)

(B) (Cont'd)

For example, assume Frontier Dallas TX Fiber 1 LLC transfers a portion of its assets to an unaffiliated third party. Further assume that a customer with a Commitment Level of seven hundred fifty (750) DDS SALs is short of its Commitment Level at the next scheduled annual review by one hundred twenty-five (125) DDS SALs (i.e., the customer has six hundred twenty-five (625) DDS SALs in-service at the next annual review). Also assume that one hundred (100) DDS SALs were transferred to an unaffiliated third party as a result of the Transfer. In this case, the Telephone Company will reduce the customer's Commitment Level to six hundred fifty (650) DDS SALs (750 DDS SALs – 100 DDS SALs = 650 DDS SALs) to reflect the transfer. Since the customer's reduced Commitment Level is 650 DDS SALs, the customer is still twenty-five (25) DDS SALs short of the reduced Commitment Level (650 DDS SALs – 625 DDS SALs = 25 DDS SALs short). After applying a minus two percent (2%) shortage allowance per the terms and conditions for this plan, the customer is still short of its Commitment Level and subject to penalty on the resulting shortage.

---

FACILITIES FOR INTERSTATE ACCESS

---

2. GENERAL REGULATIONS (Cont'd)

2.9 Sale or Transfer of an Operating Telephone Company's Assets and/or Stock to an Unaffiliated Third Party (Cont'd)

2.9.2 Undertaking of the Telephone Company Following a Transfer (Cont'd)

(C) RESERVED FOR FUTURE USE

---

FACILITIES FOR INTERSTATE ACCESS

---

2. GENERAL REGULATIONS (Cont'd)

2.9 Sale or Transfer of an Operating Telephone Company's Assets and/or Stock to an Unaffiliated Third Party (Cont'd)

2.9.2 Undertaking of the Telephone Company Following a Transfer

---

FACILITIES FOR INTERSTATE ACCESS

---

2. GENERAL REGULATIONS (Cont'd)

2.10 Technology Migration

(A) General

When a customer (for purposes of this Section 2.10, the term customer includes an Interexchange Carrier or Interexchange Common Carrier as defined in Section 2.6 preceding, an End User as defined in Section 2.6 preceding, or a customer who purchases Expanded Interconnection Service pursuant to Section 17 following) who subscribes to a DS3 Service Period under Section 5.6.11 following wishes to disconnect certain High Capacity Digital Services (each a Hi-Cap Disconnect) in order to replace them with a Telephone Company provided Ethernet private line service or a Telephone Company provided switched Ethernet service (each such service hereinafter referred to individually or collectively as a Replacing Service and each such replacement hereinafter referred to as a Technology Migration), the terms and conditions that apply to such Technology Migration are as follows:

- (1) For customers who subscribed to a DS3 Service Period prior to December 2, 2010, the customer may choose to apply either the upgrade terms and conditions set forth in Section 5.6.11(G) following for the DS3 Service Period, to a Technology Migration or the terms and conditions for a Technology Migration set forth in this Section 2.10. The terms and conditions that the customer chooses for its first such order placed on or after December 2, 2010, shall be the same terms and conditions that will apply to all of the customer's subsequent Technology Migration orders during the remainder of the current term commitment.
- (2) For customers who subscribe to or renew their subscription to a DS3 Service Period on or after December 2, 2010, this Section 2.10 applies to Technology Migrations ordered on or after December 2, 2010.

- (B) In the event a customer fails to specify the provision to be applied under (A)(1) preceding, the Telephone Company will apply the regulations in this Section 2.10 for the initial Technology Migration order submitted and for all future Technology Migration orders during the remainder of the current term commitment.
-

---

FACILITIES FOR INTERSTATE ACCESS

---

2. GENERAL REGULATIONS (Cont'd)

2.10 Technology Migration (Cont'd)

2.10.1 Service Under a DS3 Service Period

Liability under Section 5.6.11(E) following will not apply to the service(s) being disconnected if all of the requirements in Section 2.10.5 following are satisfied.

2.10.2 RESERVED FOR FUTURE



---

FACILITIES FOR INTERSTATE ACCESS

---

2. GENERAL REGULATIONS (Cont'd)

2.10 Technology Migration (Cont'd)

2.10.3 RESERVED FOR FUTURE USE

---

FACILITIES FOR INTERSTATE ACCESS

---

2. GENERAL REGULATIONS (Cont'd)

2.10 Technology Migration (Cont'd)

2.10.4 RESERVED FOR FUTURE USE

---

## FACILITIES FOR INTERSTATE ACCESS

---

### 2. GENERAL REGULATIONS (Cont'd)

#### 2.10 Technology Migration (Cont'd)

##### 2.10.5 Requirements for a Technology Migration

In order to qualify for a waiver of liability under Section 2.10.1 preceding for the DS3 Service Period all of the following requirements must be satisfied.

##### (A) Length of Commitment Requirements

If one (1) Hi-Cap Disconnect is replaced with one (1) Replacing Service, the Replacing Service must be purchased with a term commitment equal to or longer than the number of months remaining in the term commitment of the Hi-Cap Disconnect. If the Replacing Service does not offer a term commitment that is equal to or longer than the number of months remaining in the term commitment for the Hi-Cap Disconnect, then the customer must elect the longest term offered for the Replacing Service in order to satisfy this requirement.

Example: The customer disconnects one (1) DS1 in order to replace it with one (1) Replacing Service. Assume that the customer has 24 months remaining on the DS1 term commitment period of 96 months. If the Replacing Service has a term period of at least 24 months, then the customer shall have satisfied this requirement.

If multiple Hi-Cap Disconnects are replaced with one (1) or more Replacing Services, each of the Replacing Services must be purchased with a term commitment equal to or longer than the most number of months remaining on the commitments of any of the Hi-Cap Disconnects. If the Replacing Service(s) does not offer a term commitment that is equal or longer than the most number of months remaining on the commitments of any of the Hi-Cap Disconnects, then the customer must elect the longest term offered for the Replacing Service(s) in order to satisfy this requirement.

---

---

FACILITIES FOR INTERSTATE ACCESS

---

2. GENERAL REGULATIONS (Cont'd)

2.10 Technology Migration (Cont'd)

2.10.5 Requirements for a Technology Migration (Cont'd)

(A) Length of Commitment Requirements (Cont'd)

Example 1: The customer disconnects two (2) DS1s in order to replace them with one (1) Replacing Service. Assume that the customer has 24 months remaining on a DS1 term commitment period of 5 years and 18 months remaining on a DS1 term commitment period of 3 years. If the Replacing Service has a term period of at least 24 months, then the customer shall have satisfied this requirement.

Example 2: Assume that in Example 1 above, one of the DS1s has seventy (70) months remaining on a DS1 term commitment period of 8 years and that the longest term commitment offered on the Replacing Service is 60 months. The customer would have to elect the 60-month term commitment for its Replacing Service in order to satisfy this requirement.

(B) Bandwidth Requirements

The sum of the bandwidth of the Replacing Service(s) is equal to or greater than the sum of the bandwidth of the Hi-Cap Disconnects.

Example: If a customer disconnects two (2) DS1s in order to replace them with one (1) 10 Mbps Replacing Service, then the customer shall have satisfied this requirement.

---

FACILITIES FOR INTERSTATE ACCESS

---

2. GENERAL REGULATIONS (Cont'd)

2.10 Technology Migration (Cont'd)

2.10.5 Requirements for a Technology Migration (Cont'd)

(C) Revenue Test Requirements

The Technology Migration must satisfy one of the following revenue tests:

(1) MRC Revenue Test

The MRC Revenue Test requires the monthly recurring charges (MRCs) of the Replacing Service(s), counting only those discounted rate elements included in the term plan for the Replacing Service(s), be equal to or greater than the MRCs of the Hi-Cap Disconnect(s), counting only those discounted rate elements included in the term plan for the Hi-Cap Disconnect(s).

For example, assume a customer disconnects its High Capacity Digital DS1 Service (Hi-Cap DS1 Disconnect) in order to replace it with a 100 Mbps Replacing Service. Further assume all of the following:

- the Hi-Cap DS1 Disconnect is provided with a commitment period of 5 years at a rate of \$220.98 per month for the discounted rate elements; and
- the 100 Mbps Replacing Service is provided under a term plan with a 5 year commitment at a rate of \$900.00 per month for the discounted rate elements.

Since the MRC of \$900.00 for the 100 Mbps Replacing Service is greater than the MRC of \$220.98 for the Hi-Cap DS1 Disconnect, the customer shall have satisfied this requirement.

---

FACILITIES FOR INTERSTATE ACCESS

---

2. GENERAL REGULATIONS (Cont'd)

2.10 Technology Migration (Cont'd)

2.10.5 Requirements for a Technology Migration (Cont'd)

(C) Revenue Test Requirements (Cont'd)

(2) Overall Value/Revenue Test

The Overall Value/Revenue Test requires the overall value of the Replacing Service(s) be equal to or greater than the overall value of the remaining months of the current term commitment of the Hi-Cap Disconnect(s). The overall value of the Replacing Service(s) is calculated by multiplying the MRCs for the Replacing Service(s), counting only those discounted rate elements included in the term plan for the Replacing Service(s), by the number of months in the term commitment. The overall value of the Hi-Cap Disconnect(s) is calculated by multiplying the MRCs currently in effect for the Hi-Cap Disconnect(s), counting only those discounted rate elements included in the term plan for the Hi-Cap Disconnect(s), by the total remaining months in the current term commitment.

For example, using the same assumptions in the example for the MRC revenue test in (1) preceding, further assume the customer disconnects the High Capacity Digital DS1 Service in month thirty-six (36) of the 5 year commitment period (twenty-four (24) months remaining in the commitment period of the DS1 for the Hi-Cap DS1 Disconnect).

Based on the above, the overall value of the Hi-Cap DS1 Disconnect is \$5,303.52 (\$220.98 x 24 months remaining) and the overall value of the 100 Mbps Replacing Service is \$54,000 (\$900.00 x 60 months). Since the overall value of the 100 Mbps Replacing Service is greater than the overall value of the Hi-Cap DS1 Disconnect, the customer shall have satisfied this requirement.

---

---

FACILITIES FOR INTERSTATE ACCESS

---

2. GENERAL REGULATIONS (Cont'd)

2.10 Technology Migration (Cont'd)

2.10.5 Requirements for a Technology Migration (Cont'd)

(D) Terminating Location Requirements

Terminating locations include End User locations, Interexchange Carrier locations, and physical or virtual EIS locations pursuant to Section 17 following.

(1) One Hi-Cap Disconnect Replaced by One Replacing Service

The terminating location(s) of the Replacing Service must satisfy one of the following requirements:

- (a) For service provided between two End User locations or two Interexchange Carrier locations, at least one of the locations of the Replacing Service must be the same as one of the locations of the Hi-Cap Disconnect; or
  - (b) For service provided between an Interexchange Carrier location or a physical or virtual EIS location and an End User location, one of the locations of the Replacing Service must be the same as the End User location of the Hi-Cap Disconnect.
  - (c) For a multiplexed facility provided between an Interexchange Carrier location, a physical or virtual EIS location, or an End User location and a Telephone Company Hub where multiplexing functions are performed, one of the locations of the Replacing Service must be the same as the Interexchange Carrier location, physical or virtual EIS location, or End User location, respectively, of the Hi-Cap Disconnect.
-

---

FACILITIES FOR INTERSTATE ACCESS

---

2. GENERAL REGULATIONS (Cont'd)

2.10 Technology Migration (Cont'd)

2.10.5 Requirements for a Technology Migration (Cont'd)

(D) Terminating Location Requirements (Cont'd)

(2) Multiple Hi-Cap Disconnects Replaced by One or More Replacing Services

When multiple Hi-Cap Disconnects are replaced by one or more Replacing Services, at least one of the locations for each of the Replacing Service must be the same location as each of the End User locations of each of the Hi-Cap Disconnects, except where the locations involved are two (2) Interexchange Carrier locations or two (2) End User locations in which case at least one of the locations for each of the Replacing Service must be the same as one of the Interexchange Carrier locations or End User locations, respectively, of each of the Hi-Cap Disconnects.

Example where both locations are End User locations: The customer has a High Capacity Digital DS1 Service between locations A and B and a High Capacity Digital DS1 Service between locations C and D. The two Replacing Services are between locations B and E and between locations D and F. Since each High Capacity Digital DS1 Service has one location in common with its Replacing Service, this requirement is satisfied.

Example where all locations are End User locations: The customer has three (3) High Capacity Digital DS1 Services between locations A and B, C and D, and E and F. The two Replacing Services are between locations B and X and between locations D and Y. Since the Replacing Services do not have a common location with the High Capacity Digital DS1 Service between locations E and F, this requirement is not satisfied. However, if the customer qualifies for a one-for-one replacement under (D)(1) preceding, this requirement would be satisfied for two of the High Capacity Digital DS1 Services. The High Capacity Digital DS1 Service between locations E and F, for which no common location exists, would not meet the requirements for a Technology Migration.



---

FACILITIES FOR INTERSTATE ACCESS

---

2. GENERAL REGULATIONS (Cont'd)

2.10 Technology Migration (Cont'd)

2.10.5 Requirements for a Technology Migration (Cont'd)

(E) Timing Requirements

The order for each Hi-Cap Disconnect must be completed within three (3) months of the date that the Replacing Service(s) is installed. Failure to disconnect each Hi-Cap Disconnect within three (3) months will result in the customer not satisfying this requirement.

(F) Notification Requirements

Within ten (10) business days of the date the Replacing Service(s) is ordered, the customer must provide the Telephone Company with all of the following:

- (1) the circuit identification number(s) of each Hi-Cap Disconnect;  
and
- (2) the circuit identification number(s) of the Replacing Service(s);  
and
- (3) the terminating locations of the services involved (including both the Replacing Service(s) and the Hi-Cap Disconnect(s)).

Failure to provide such information within the stated timeframe will result in the customer not satisfying this requirement.

---

FACILITIES FOR INTERSTATE ACCESS

---

2. GENERAL REGULATIONS (Cont'd)

2.11 Initial Transfer of Assets from Predecessor Company

The original issuing carriers of this Guide were created by a transfer of assets from an unaffiliated third party. This Section 2.11 governs treatment of customers who, at the time of the transfer of assets from the predecessor company, subscribed to a service offering under this Guide that aggregates the customer's purchases from the Telephone Company to measure compliance with such service offering or participated in an SLA that aggregates the customer's measured transactions.

- (A) When a customer subscribes to a service offering under this Guide that aggregates the customer's purchases from the Telephone Company to measure compliance with such service offering or the customer participates in a SLA that aggregates the customer's measured transactions, and the service offering or SLA includes terms and conditions pertaining to a transfer, the terms and conditions pertaining to a transfer will apply to that service offering or SLA as if the Telephone Company were the predecessor company.
- (B) When customer subscribes to a service offering under this Guide that aggregates the customer's purchases from the Telephone Company to measure compliance with such service offering or the customer participates in a SLA that aggregates the customer's measured transactions, and the service offering or SLA does not include terms and conditions pertaining to a Transfer, Sections 2.9 preceding will apply as if the Telephone Company were the predecessor company.

For example, if a customer subscribed to a service offering with the predecessor company that aggregates the customer's measured transactions, and the transfer of assets resulted in the customer meeting the conditions described in 2.9.1(B) and (C) preceding with respect to the assets transferred to the Telephone Company, the provisions of 2.9.2 preceding will apply with respect to prorating any Minimum Requirements.

---

## FACILITIES FOR INTERSTATE ACCESS

---

### 3. ORDERING OPTIONS FOR FIA

#### 3.1 General

This section sets forth the regulations and order related charges for FIA Orders to provide the customer with FIA. These charges are in addition to other applicable charges in other sections of this tariff.

##### 3.1.1 Ordering Conditions

(A) A customer may order any amount of FIA (Switched or Special) of the same interface type, same Feature Group, same BSA or same Special Access between the same locations for installation on the same date on a single FIA ASR. A customer may order the shared use of Switched Access and Special Access over the same high capacity facility however, separate FIA ASRs are required. The methodology for shared use is set forth in 5.6.7.

- ASRs for FGA or BSA-A must specify the number of lines required.
- ASRs for FGB, FGD, BSA-B, BSA-D and SAC Access Service must specify the number of trunks required or Busy Hour Minutes of Capacity (BHMC). For Tandem-Switched Transport, the customer has the option of specifying the number of trunks or Busy Hour Minutes of Capacity (BHMC).

In addition, the ASR must indicate whether the Switched Transport ordered is for Entrance Facilities, Direct-Trunked Transport and/or Tandem-Switched Transport. For Direct-Trunked Transport, and Entrance Facilities the ASR must specify channel type, channel interface, and any options desired. In addition, ASRs for Direct-Trunked Transport must specify Facility Hubs involved.

Additional ASR requirements for Switched Access Service are described in 4.2.5(V) and 4.3.2.

---

## FACILITIES FOR INTERSTATE ACCESS

---

### 3. ORDERING OPTIONS FOR FIA (Cont'd)

#### 3.1 General (Cont'd)

This section sets forth the regulations and order related charges for FIA Orders to provide the customer with FIA. These charges are in addition to other applicable charges in other sections of this tariff.

##### 3.1.1 Ordering Conditions (Cont'd)

(B) The customer shall supply all details necessary to complete an order. The details may include the following: requested service date, customer name, customer designated location, end office, Interface Arrangement, type of Switched Access or Special Access, Supplemental Features, End Office Services and Signaling Interface, and originating and terminating capacity required. The customer may also be required to provide end user name and location, end user contact person, and end user premises access information to complete an order for Special Access.

When a customer orders mixed interstate and intrastate Switched Access, the customer is required to provide an estimate of the percent of traffic, as described in 4.3.3, which will be interstate. If the customer fails to provide this estimate, the order will not be processed until such time as the customer provides this estimate.

When a customer orders mixed use special access service, the customer must indicate the jurisdiction based on the criteria in Section 5.1.6.

(C) When the Alternate Traffic Routing Optional Arrangement is ordered, more than one CDL will be supplied and the number of trunks or BHMC for FGB and FGD to each CDL shall be specified.

When the Alternate Traffic Routing Basic Serving Element (BSE) is ordered, more than one CDL will be supplied and the number of trunks or BHMC for BSA-B and BSA-D to each CDL shall be specified.

---

FACILITIES FOR INTERSTATE ACCESS

---

3. ORDERING OPTIONS FOR FIA (Cont'd)

3.1 General (Cont'd)

3.1.1 Ordering Conditions (Cont'd)

(D) The customer shall order SAC Access Service, as described in 4.2.1(E), in the same manner as ordering FGD or BSA-D with the following exceptions. For 500 SAC Access Service or 900 SAC Access Service, customers may request direct connections to only those offices designated by the Telephone Company as 500 SAC Access Service or 900 SAC Access Service screening offices. All 500 NXX or 900 NXX code assignments and administration shall be in accordance with the North American Numbering Plan (NANP). Toll Free\* SAC Access Service is offered only in conjunction with the Toll Free\* Customer Identification Function as described in 4.2.11 and in conjunction with Toll Free\* Data Base Query Service as described in 4.2.19. Customers may request Toll Free\* SAC access connections to suitably equipped end offices and access tandem offices. A list of those offices will be provided upon request. All Toll Free\* number assignments shall be administered by the Number Administration Service Center (NASC) through the Service Management System (SMS).

500 NXX codes or 900 NXX codes to be activated and/or deactivated in conjunction with 500 SAC Access Service or 900 SAC Access Service, must be provided to the Telephone Company at least 30 business days prior to the effective date of the change.

An ASR is required by the Telephone Company for 500 NXX codes or 900 NXX codes to be activated or deactivated on an access facility level basis. The Switched Access Ordering Charge, as described in 4.5.2(A)(3)(g), will apply. In addition to the Switched Access Ordering Charge, the NXX Translation Charge, as described in Section 4.5.2(H)(8), shall apply to each 500 NXX code activated or deactivated in a Telephone Company switch capable of performing the customer identification function for 500 SAC Access Service. Customer assigned codes for which an ASR has not been received will be blocked.

"Toll Free" is considered to mean any access service which utilizes any of the following NPAs: 800, 888, 877, 866, 855, 844, 833, and 822 as they become available to the industry.

---

FACILITIES FOR INTERSTATE ACCESS

---

3. ORDERING OPTIONS FOR FIA (Cont'd)

3.1 General (Cont'd)

3.1.1 Ordering Conditions (Cont'd)

(D) (Cont'd)

When SAC Access Service is not terminated over a Special Access Line as in 5.1.1(C)(2), the customer must notify the Telephone Company of all local exchange telephone numbers to which SAC Access Service traffic is designated so that the Telephone Company can balance the end office in accordance with standard Telephone Company engineering practices for heavy volume lines.

- (E) The provision of Special Access requires the selection of a Terminating Option as defined in 5.3. The provision of Switched Access requires an Entrance Facility as defined in 4.2.3(B). When a customer orders a DS3 SAL or DS3 Switched Entrance Facility, he may specify, on the ASR, if the interface is to be electrical or optical. In the event the customer does not specify an interface preference for DS3, the Telephone Company will provide an electrical interface.

When a customer orders a FiberConnect SAL the customer must specify an electrical interface and indicate the Network Channel Interface (NCI) code on the ASR. Each FiberConnect SAL accommodates four (4) DS1 transports.

- (F) When ordering Common Channel Signaling System 7 (CCS7) Access service as described in 4.2.10 and 4.5.2(G), the customer shall place an order for interconnection between the Telephone Company's Signal Transfer Point (STP) and the CDL. CCS7 Access service shall be ordered and installed pursuant to specifications in Technical Reference GR-905-CORE, Issue 11. Each service application used in conjunction with CCS7 Access service will require a separate ASR. When ordering additions or changes to existing CCS7 Access service facilities, the customer must refer to the specific CCS7 Access service facilities affected by the addition or change.

---

FACILITIES FOR INTERSTATE ACCESS

---

3. ORDERING OPTIONS FOR FIA (Cont'd)

3.1 General (Cont'd)

3.1.1 Ordering Conditions (Cont'd)

- (H) When ordering Line Information Data Base (LIDB) Query Service, the customer shall provide an ASR specifying the originating point codes (OPCs) of the customer's designated operator service system (OSS) sending the query or queries, and the desired due date of the order. LIDB Query Service is provided in conjunction with interconnection to the Telephone Company's SS7 network as set forth in Sections 4 and 8.8.
- (I) An ASR is required from the customer to request the unblocking of 0+900 calls. For an initial customer order at the tandem or end office level, the Telephone Company must receive the request to unblock 0+900 dialing capability at least 60 business days prior to the requested effective date. To block or unblock 0+900 dialing capability for NXX codes assigned to a customer in an end office subtending a previously unblocked tandem, a request must be received at least 30 business days prior to the requested effective date of the change.
- (J) An ASR is required from the customer to add 1+ coin traffic from an end office. At the customer's option, the ASR can be issued at a 1+ coin tandem or end office level. For an initial customer order at a 1+ coin tandem, the Telephone Company must receive the request at least 120 calendar days prior to the requested effective date. Standard provisioning intervals will apply to subsequent orders involving that 1+ coin tandem.

The customer must provide the Telephone Company with written notification stating that an order is being submitted pursuant to an agreement with a secondary service provider prior to the routing of 1+ interLATA coin traffic to a provider other than the customer.

---

(H) FACILITIES FOR INTERSTATE ACCESS

---

3. ORDERING OPTIONS FOR FIA (Cont'd)

3.1 General (Cont'd)

3.1.1 Ordering Conditions (Cont'd)

- (L) When ordering Signaling System 7 (SS7) Out of Band Signaling as described in 4.2.5(AA), the customer shall provide an ASR specifying a reference to existing CCS7 Access service facilities or reference to a related ASR for CCS7 Access service as described in 3.1.1(G). The customer's ASR shall also include STP point codes, STP location identifier codes, FGD or BSA-D trunk or Toll Free\* Service Access trunk circuit identification codes, and switch type. When ordering SS7 Out of Band Signaling for FGD or BSA-D, the customer shall specify that all traffic carried by that FGD or BSA-D will be equipped with out of band signaling. The customer shall work cooperatively with the Telephone Company to determine the number of CCS7 Access service connections required to handle the customer's SS7 Out of Band Signaling traffic.
- (M) When ordering Expanded Interconnection Services (EIS) as described in 17.5, the customer shall place an ASR for the Cross Connect, as described in 4.5.3 and 5.1.1(D), to interconnect the facilities of the Telephone Company to the facilities of the customer. Each service application used in conjunction with EIS will require a separate ASR. When ordering additions or changes to the existing EIS facilities, the customer must refer to the specific EIS facilities affected by the addition or change.
- (N) When a customer orders Tandem Switch Signaling (TSS), as described in 4.2.5(AC) and 4.2.21, to be established with the installation of a new FGD or BSA-D trunk group, 500 SAC Access Service, or 900 SAC Access Service trunk group, the Switched Access Ordering charge, per ASR and the appropriate Service Installation charge will apply for the installation of the FGD or BSA-D or 900 SAC Access services.

When a customer orders Tandem Switch Signaling to be added to an existing FGD or BSA-D trunk group, 500 SAC Access Service or 900 SAC Access Service trunk group or to a pending ASR, only the Switched Access Ordering charge and the Design Change charge will apply for the addition of the optional arrangement.

"Toll Free" is considered to mean any access service which utilizes any of the following NPAs: 800, 888, 877, 866, 855, 844, 833, and 822 as they become available to the industry.



---

FACILITIES FOR INTERSTATE ACCESS

---

3. ORDERING OPTIONS FOR FIA (Cont'd)

3.1 General (Cont'd)

3.1.1 Ordering Conditions (Cont'd)

- (O) When ordering FGD or BSA-D Switched Access with 950-XXXX Access as described in 4.2.5(T), the customer shall provide an ASR specifying which 950-XXXX access code(s) are to be routed and the FGD or BSA-D Switched Access Service over which resulting originating 950-XXXX access code calls are to be routed.
  
- (P) When ordering Carrier Identification Parameter (CIP) as described in 4.2.5(AE), the customer shall provide an ASR specifying a reference to existing FGD or BSA-D switched access services or reference to a related ASR for FGD or BSA-D switched access services. The customer's ASR shall specify the information necessary to identify the trunk group to which the CIP is to be added.

---

FACILITIES FOR INTERSTATE ACCESS

---

3. ORDERING OPTIONS FOR FIA (Cont'd)

3.1 General (Cont'd)

3.1.2 Provision of Other Services

- (A) At the option of a customer, Directory Assistance, Additional Labor, Telecommunications Service Priority (TSP), Testing, LIDB Query Service and Special Routing services may be ordered with an ASR at the same time the ASR is accepted by the Telephone Company. Such requests will be considered to be supplemental to the ASR. The rates and charges for these services as set forth in other sections of this tariff will apply in addition to the ordering charges set forth in this section and the rates and charges for the Switched Access or Special Access with which they are associated.
- (B) The items listed in (A) preceding may subsequently be added to the ASR at any time, up to and including the service date established by the ASR. When ordered subsequently, charges for ASR modifications as set forth in 3.2.2 will apply.

3.1.3 Special Construction

- (A) When the Telephone Company determines that the installation of service meets the guidelines of the Special Construction tariffs as set forth in Section 1.3 preceding, the customer is notified and conditions are negotiated as prescribed by the Special Construction tariffs.
- (B) The regulations, rates and charges for Special Construction (as set forth in the tariffs referenced in Section 1.3 preceding) are in addition to the regulations, rates and charges specified in this section.
- (C) Special Construction is not applicable to EIS.

3.1.4 Expanded Interconnection Service (EIS)

The regulations, rates and charges for EIS in addition to the regulations, rates and charges specified in this section.

3.1.5 Tandem Switch Signaling

The regulations, rates and charges for Tandem Switch Signaling in Section 4 and are in addition to the regulations, rates and charges specified in this section.

---

## FACILITIES FOR INTERSTATE ACCESS

---

### 3. ORDERING OPTIONS FOR FIA (Cont'd)

#### 3.2 Access Service Request

An ASR is used by the Telephone Company to receive orders for the following types of FIA requested by the customer:

Special Access as in Section 5,  
and Other Services as in other sections of the tariff.

#### 3.2.1 Service Date Intervals

The time required to provision service is known as the service date interval. Such intervals will be established in accordance with published service date interval guidelines which are available to customers upon request. The service date interval guidelines will apply to ASRs and will specify the quantities of FIA that can be provided on the same service date. The customer may request a service date other than that established pursuant to the service date interval guidelines, and the Telephone Company, where possible, will establish the service date in accordance with such request, subject, however, to other applicable provisions of this tariff.

FACILITIES FOR INTERSTATE ACCESS

---

3. ORDERING OPTIONS FOR FIA (Cont'd)3.2 Access Service Request (Cont'd)3.2.2 ASR Modifications

The customer may request a modification of its ASR prior to the service date. The Telephone Company will make every effort to accommodate a requested modification when it is able to do so with the normal work force assigned to complete such an ASR within normal business hours. If the modification cannot be made with the normal work force during normal business hours, the Telephone Company will notify the customer. If the customer still desires the ASR modification, the Telephone Company will schedule a new service date. All charges for ASR modifications will apply on a per occurrence basis.

Where a new ASR may be required the appropriate charges in other sections of this tariff will be applicable.

Any increase in the number of Switched Access lines for FGA or BSA-A trunks or BHMCs for FGB, FGD, BSA-B, BSA-D and SAC Access Service; Special Access circuits; STP Port Terminations and CCS7 access facilities; or OSS OPCs in conjunction with LIDB Query Service, and Advanced Communications Network services will require the issuance of a new ASR for the incremental capacity.

(A) Service Date Change Charge

ASR service dates for the installation of new services or rearrangement of existing services may be changed. Except as otherwise specified in Section 3.2.6(C)(3), a Service Date Change Charge will apply for each service date change after the plant test date of the original ASR.

For Switched Access Tandem-Switched Transport or ASRs requesting additional trunk activations on existing Direct-Trunked Transport facilities, the new service date may not exceed the original service date by more than 30 calendar days. If the requested service date is more than 30 calendar days after the original service date, the ASR will be canceled by the Telephone Company and cancellation charges in 3.2.6 will apply.

For Special Access, Optical Networking, as applicable, Switched Access Entrance Facilities, and Switched Access Direct-Trunked Transport, subject to Section 3.2.6 following, a customer may negotiate an extension of a service date of an ASR for installation of new services or rearrangements of existing services.

With the agreement of the Telephone Company, a new service date may be established that is prior to the original service date and the provisions in (E) will apply in addition to the Service Date Change Charge.

---

FACILITIES FOR INTERSTATE ACCESS

---

3. ORDERING OPTIONS FOR FIA (Cont'd)

3.2 Access Service Request (Cont'd)

3.2.2 ASR Modifications (Cont'd)

(A) Service Date Change Charge (Cont'd)

Texas Special  
Access

Price Cap	\$56.99
Price Bands A, B and C	\$56.99
All Other Services	\$56.99

FACILITIES FOR INTERSTATE ACCESS

---

3. ORDERING OPTIONS FOR FIA (Cont'd)3.2 Access Service Request (Cont'd)3.2.2 ASR Modifications (Cont'd)(B) Partial Cancellation Charge

Any decrease in the number of Switched Access lines for FGA or BSA-A; trunks or BHMCs for FGB, FGD, BSA-B, BSA-D and SAC Access Service; Special Access circuits; STP Port Terminations and CCS7 switched access facilities; OSS OPCs in conjunction with LIDB Query Service, or Advanced Communications Network services will be treated as a partial cancellation.

A customer may cancel any number of Special Access circuits or Advanced Communications Network services.

When a customer partially cancels the service ordered on an ASR, charges will apply as follows:

- (1) Except as specified in 3.2.6(D), when an ASR for Switched Access Service is partially canceled on or after the Application Date, the charge will be determined by multiplying the total Installation nonrecurring charges for the canceled portion of the order by the number of business days elapsed since the Application Date and dividing that figure by the number of days in the service interval and adding the Switched Access Ordering Charge.
- (2) When an ASR for Special Access Service or Advanced Communications Network service is partially canceled, on or after the Application Date, the charge will be determined by multiplying the total Special Access or Advanced Communications Network services nonrecurring charges for the canceled portion of the order by the number of business days elapsed since the Application Date and dividing that figure by the number of days in the service interval.
- (3) When a customer cancels part of an ASR for which billing has commenced as provided in 3.2.2(A) and 3.2.6(A), cancellation charges in 3.2.6(C)(3) will apply to that part of the ASR being canceled.

---

FACILITIES FOR INTERSTATE ACCESS

---

3. ORDERING OPTIONS FOR FIA (Cont'd)3.2 Access Service Request (Cont'd)3.2.2 ASR Modifications (Cont'd)C. Discontinuance of Service

A customer may discontinue FIA that is in service at any time. The request for discontinuance of service must be received by the Telephone Company at least thirty (30) business days prior to the date on which service is to (C) be disconnected and billing discontinued. The disconnect request may be submitted via the same method(s) used to place orders. The customer must notify the Telephone Company of a delay or cancellation in the discontinuance request prior to the disconnect date. The Telephone Company, where possible, will establish the disconnect date in accordance with such request. Billing and service will then continue until the new requested disconnect date. If a service is discontinued prior to the expiration of the Minimum Period in 3.2.4, the Minimum Period Charges in 3.2.5, may apply.

D. Design Change Charge

The customer may request a design change to a pending ASR for both Switched and Special Access or request a change to an existing Switched Access Service. A design change is a change which requires engineering review. The regulations, rates and charges for a design change are in Section 4.5.2(A)(3)(i) for Switched Access Service, and Section 5.6.1(F)(1) for Special Access Service, and are in addition to the regulations, rates and charges specified in this section.

E. Requests for Expedition

A customer may request an expedited service date. When this situation occurs, charges will be applicable as in 6.2. The Telephone Company will provide an estimate of the charges to the customer. The customer must accept the price estimate prior to the Telephone Company's performing the expedite. The actual charges billed to the customer will be no more than 10 percent over the estimate.

Access Ordering Guidelines prohibit expedite orders when disconnecting (N) services.

F. Discontinuance Non-Recurring Charges

In addition to any other charges associated with discontinuance of services, the Telephone Company will charge a discontinuance non-recurring charge to discontinue services. This charge applies on a per circuit basis. The customer shall be responsible for payment of a discontinuance non-recurring charge equivalent to one (1) month of recurring charges for the Guide rate elements billed on the circuit immediately prior to disconnect. In addition to the discontinuance non-recurring charge, minimum service period charges and early termination liability may apply if the circuit term or minimum service period has not been met. (N)

3.2.3 Selection of Facilities for Access Service

- A) Requests for a specific circuit is not an option of the customer except as provided for under Special Facilities Routing of FIA in Section 9.





---

FACILITIES FOR INTERSTATE ACCESS

---

3. ORDERING OPTIONS FOR FIA (Cont'd)

3.1 Access Service Request (Cont'd)

3.2.4 Minimum Period

- (A) The Minimum Period for which Special Access, End User FIA, STP Port Terminations, Basic Service Elements (BSEs) CCS7 Access facilities, Monthly Optical Networking rate elements, Presubscribed Interexchange Carrier Charge are provided and for which charges are applicable, is one month, except as in B through O following or in other sections of this tariff.
- (B) The Minimum Period for Miscellaneous Services is in Section 6.
- (C) The Minimum Period for Ancillary Services is in Section 8.
- (D) The Minimum Period for temporary videoband and program audio Special Access is the minimum period for which rates are established in Section 5.7 and 5.8.
- (E) The Minimum Period for FGA, FGB, FGD, BSA-A, BSA-B, BSA-D, and SAC Access Service is one month. For the application of the minimum period charges for Switched Access Service FGB, FGD, BSA-B, BSA-D, and SAC Access Service it is assumed the last identical capacity placed in service is the first one discontinued.
- (F) The minimum periods for Special Access DS3 Service are in Section 5.6.11.

FACILITIES FOR INTERSTATE ACCESS

---

3. ORDERING OPTIONS FOR FIA (Cont'd)

3.2 Access Service Request (Cont'd)

3.2.3 RESERVED FOR FUTURE USE

---

FACILITIES FOR INTERSTATE ACCESS

---

3. ORDERING OPTIONS FOR FIA (Cont'd)

3.2 Access Service Request (Cont'd)

3.2.5 Minimum Period Charges

When FIA are discontinued prior to the expiration of the Minimum Period, charges are applicable for the remaining month(s) and/or fraction thereof of the Minimum Period.

Except as specifically stated in other sections of this tariff, the Minimum Period Charge will be determined as follows:

- (A) For Switched Access usage sensitive rate elements, the charge for the minimum period, or fraction thereof, is equal to the applicable rates for the actual or assumed usage for the minimum period or such fraction thereof. For Switched Access flat-rated monthly elements (i.e., Entrance Facility, Direct-Trunked Transport and Multiplexing rates), the charge for the minimum period or fraction thereof is the applicable monthly rates for the service.
- (B) For Special Access, the charge is the applicable monthly rate for the service(s) as specified in Section 5.7. For Special Access DS3 Service, additional information regarding the calculation of service period charges can be found in Section 5.6.
- (C) For End User Common Lines, the charge is the applicable monthly rate for the FIA as in 13.11.
- (D) For part time or occasional program audio Special Access services, the rates in 5.6.1, 5.7, and 5.8 will apply.
- (E) For the Presubscribed Interexchange Carrier Charge, the charge is the applicable monthly rate as in Section 12.

---

FACILITIES FOR INTERSTATE ACCESS

---

3. ORDERING OPTIONS FOR FIA (Cont'd)

3.2 Access Service Request (Cont'd)

3.2.6 Cancellation of an ASR

- (A) A customer may cancel ordered FIA on any date prior to the service date. The cancellation date is the date the Telephone Company receives written or verbal notice from the customer that the ASR is to be canceled. The verbal notice must be followed by written confirmation within 10 days.

For Switched Access Tandem-Switched Transport or ASRs requesting additional trunk activations on existing Direct-Trunked Transport facilities, if a customer is unable to accept service within 30 calendar days of the original service date, the ASR shall be considered canceled and charges in (C) will apply. In such instances, the cancellation date shall be the 31st calendar day beyond the original service date of the ASR.

For Special Access Service, Optical Networking, as applicable, Switched Access Entrance Facilities and Switched Access Direct-Trunked Transport, if a customer or a customer's end user is unable to accept service within 30 calendar days of the original service date, the customer may elect one of the following options:

The customer may take no action and the ASR shall be canceled by the Telephone Company on the 31st day with the appropriate Cancellation Charge as set forth in this tariff applied; or

The customer may choose to commence billing for the service on the 31st day.

- (B) ASR costs are considered to have started when the Telephone Company incurs any cost in connection therewith or in preparation thereof which would not otherwise have been incurred. These costs include but are not limited to preliminary engineering, orders to suppliers, and other similar items of cost.

---

FACILITIES FOR INTERSTATE ACCESS

---

3. ORDERING OPTIONS FOR FIA (Cont'd)

3.2 Access Service Request (Cont'd)

3.2.6 Cancellation of an ASR (Cont'd)

(C) When a customer cancels an ASR for the installation of new service, or an ASR to modify existing service, charges will apply as follows:

1. When an ASR for Switched Access Service is canceled on or after the Application Date, the Cancellation Charge is calculated, on a per ASR basis, by multiplying the total Installation nonrecurring charges for the quantity ordered by the number of business days elapsed since the Application Date, and dividing that figure by the number of days in the service interval (i.e., the number of business days between the Application Date and the last day of the service date interval) and adding the Switched Access Ordering Charge.
- (2) When an ASR for Special Access Service or Optical Networking, as applicable, is canceled on or after the Application Date, except where there is a specific cancellation charge set forth such as after the 30th day, the Cancellation Charge is the Nonrecurring Charge for the service(s) multiplied by the quantity ordered on a per ASR basis.

---

FACILITIES FOR INTERSTATE ACCESS

---

3. ORDERING OPTIONS FOR FIA (Cont'd)

3.2 Access Service Request (Cont'd)

3.2.6 Cancellation of an ASR (Cont'd)

(C) (Cont'd)

- (3) When a customer chooses the option to commence billing for the service on the 31st day under 3.2.6(A) preceding, the customer must submit an ASR Modification to the existing ASR prior to calendar day 31 from the original service date to request a new service date. The new service date may not exceed the original service date by more than 120 calendar days. A Service Date Change Charge will not apply for such service date change; however, if subsequent additional service date changes are requested after calendar day 31, the Service Date Change Charge will apply, per request.

When a customer chooses the option to commence billing for the service on the 31st day under 3.2.6(A) preceding, monthly recurring charges for the service will begin accruing at calendar day 31 after the original service date. The initial or subsequent bill for the service will include these accrued charges and any additional nonrecurring charges in addition to billable charges specified in 2.4.1(C).

If the customer requested service date is more than 120 calendar days after the original service date, or if the customer or the customer's end user is unable to accept Access Service within 120 calendar days of the original service date, the ASR will be canceled by the Telephone Company on the 121st day. In the event of any such cancellation, or if the customer cancels the order after the 30th day, the customer will be billed the accrued monthly recurring charges specified preceding plus applicable nonrecurring charges. These charges will be computed commencing at day 31 after the original service date up to and including the cancellation date. The customer will be responsible for applicable minimum period and termination liability charges.

FACILITIES FOR INTERSTATE ACCESS

---

3. ORDERING OPTIONS FOR FIA (Cont'd)

3.2 Access Service Request (Cont'd)

3.2.6 Cancellation of an ASR (Cont'd)

The cancellation charge is the charge shown for the last date passed on the order and will apply when a customer cancels an order or part of an order prior to accepting service.

(D) Dedicated SONET Entrance Facilities

Cancellation Charges Which Apply After the Order Date

- Per Switched Access STS1 DSEF Termination	\$1,000.00
- Per Special Access STS1 DSEF Termination	
Price Cap	\$1,000.00
Price Band A	\$1,000.00
Price Band B	\$1,000.00
Price Band C	\$1,000.00

3.2.7 FGD or BSA-D Maximum Per Trunk Cancellation Charge

---

FACILITIES FOR INTERSTATE ACCESS

---

3. ORDERING OPTIONS FOR FIA (Cont'd)

3.3 Access Service Requests For Services Provided By More Than One Telephone Company

- (A) Switched or Special Access Services provided by more than one telephone company are services where one end of the Switched Transport or Special Transport facility is in the operating territory of one telephone company and the other end of the facility is in the operating territory of a different telephone company.

The ordering procedure for this service is in (1) and (2). The telephone company will notify the customer, identifying which ordering procedures will apply.

(1) Single Company Billing

The telephone company receiving the ASR from the customer will arrange to provide the service and bill the customer as in 2.7.2. The customer will place the ASR with the telephone company as follows:

- (a) For Switched Access Services the customer will place the ASR with the telephone company in whose territory the following is located:

FGA or BSA-A - dial tone office

When the preceding is not in the same telephone company's territory as the customer designated location (CDL), the customer must supply a copy of the ASR to the telephone company in whose territory the CDL is located.

(2) Meet Point Billing

Each telephone company will provide its portion of the Switched Transport or Special Transport service within its operating territory to the meet point with the other telephone company(s). The BP will be determined by the telephone companies involved in providing the FIA service and listed in the NECA Tariff FCC No. 4.

For all Switched Access Services and all Special Access Services the order will be placed with the telephone company as specified in the Multiple Exchange Carrier Ordering and Design (MECOD) Guidelines.

- (B) When FGA or BSA-A is ordered in a Multicarrier Access Area, the customer must provide a copy of the order to the SEC. The SEC will bill as in 2.7.



---

## FACILITIES FOR INTERSTATE ACCESS

---

### 5. SPECIAL ACCESS

#### 5.1 General

Special Access provides a transmission path to connect CDLs\* within a LATA\*\* for Interstate Telecommunications. Special Access provided to a customer may be connected directly to customer facilities, through Telephone Company Hub Wire Centers where bridging or multiplexing functions are performed, or through a DS3 Premises Multiplexer at a CDL where multiplexing functions are performed, and/or may be connected to access facilities of another telephone company or companies in the joint provision of Special Access Service as well as may be connected to Switched Access as set forth in Section 4. Special Access Services may also be connected to a customer's transmission equipment and facilities using a DS1 or DS3 Cross Connect arrangement where the customer is provided Expanded Interconnection Service (EIS) as defined in Section 17. High Capacity SALs may also be connected to an in-service Telephone Company provided integrated optical service, provided that such connections are technically and operationally feasible, as determined by the Telephone Company.

The provision of Switched Access and Special Access in combination is normally for, but not limited to, the use of WATS or WATS type Access. When Special Access is connected to Switched Access, the terms, conditions and rates for the facilities between the end user's CDL and the WATS Serving Office are as set forth in this section of the tariff; the terms, conditions and rates for the facilities between the WATS Serving Office and the IC's CDL, as well as the switching functionalities (e.g., end user access codes, screening) are as set forth in Section 4 of this Guide.

Special Access can be provided in either analog or digital format. Analog formats are differentiated by spectrum and bandwidth. Digital formats are differentiated by bit rate. The specific types of Special Access (e.g., Voiceband, Digital Data Service) provided are described in 5.2 following.

\* Telephone Company Centrex CO like switches are considered to be CDLs for the purposes of this Guide.

\*\* DS1 and DS3 Special Access Services may be provided between the service areas shown under 5.2.7(H), where facilities and conditions permit.

FACILITIES FOR INTERSTATE ACCESS

---

5. SPECIAL ACCESS (Cont'd)

5.1 General (Cont'd)

5.1.1 Rate Elements

With the exception of Video Digital Transport Service, there are six basic rate elements which apply to Special Access Service:

- Special Transport (described in 5.1.1(B) following)
- Special Transport Termination (described in 5.1.1(G) following)
- Special Access Line (described in 5.1.1(C) following)
- Special Access Cross Connect (described in 5.1.1(D) following)
- Supplemental Features (described in 5.4 following)
- Multiplexing Arrangements (described in 5.4.5 following)

The following is a list of Telephone Company's Open Network Architecture (ONA) Special Access Basic Service Elements (BSEs) which provide a cross-reference to the generic ONA product names.

<u>Generic Name</u>	<u>Telephone Company Name</u>
Access to Clear Channel Transmission	Clear Channel Capability
Automatic Protection Switching	Automatic Protection Switching
Bridging	Bridging
Conditioning	Conditioning
Secondary Channel Capability	Digital Data Service -
Secondary Channel	
Multiplexing - Digital 2000	Multiplexing Arrangements

---

FACILITIES FOR INTERSTATE ACCESS

---

5. SPECIAL ACCESS (Cont'd)

5.1 General (Cont'd)

5.1.1 Rate Elements (Cont'd)

(B) Special Transport

- (1) The Special Transport rate element provides for the transmission facilities between the serving wire centers associated with two CDLs, between a serving wire center associated with an end user's CDL and a WATS Serving Office, between a serving wire center associated with a CDL and a Telephone Company Hub Wire Center, between two Telephone Company Hub Wire Centers or between a serving wire center associated with a CDL and a serving wire center where connection to an advanced data service# occurs. Connection to Telephone Company provided DS1 or DS3 Special Transport within a serving wire center for customers with EIS will require a Special Access Cross Connect arrangement as described in 5.1.1(D).

The Special Transport element is distance sensitive, except for MetroLAN and DS3 Banded Special Transport, and varies with type of capability (i.e., analog or digital) and type of facility (e.g., Voiceband, Digital Data Service, etc.). Special Transport may be provided by more than one telephone company. The method of calculating applicable airline miles for rating purposes for Special Access is specified in 2.7 preceding.

MetroLAN Transport provides flat rate non-distance sensitive transport for DS1 bandwidth on fiber optic rings. The rate element associated with MetroLAN is a monthly recurring charge as set forth in 5.7.7(B).

- # Advanced data services include Telephone Company provided frame relay services, switched multi-megabit services, Internet Protocol services, LAN Extension Services and ATM-cell relay services. Connections to advanced data services are provided by the Telephone Company where such connections are technically and operationally feasible, as determined by the Telephone Company.

---

FACILITIES FOR INTERSTATE ACCESS

---

5. SPECIAL ACCESS (Cont'd)

5.1 General (Cont'd)

5.1.1 Rate Elements (Cont'd)

(B) Special Transport (Cont'd)

- (2) Special Transport may be used in conjunction with Switched Access\* for the purpose of provisioning Originating Only, Terminating Only or Combined Originating/Terminating Access as set forth in 4.2.5(V). Special Transport employed in this manner provides the FIA for the closed end of the services between the wire center serving the end user's CDL where WATS Serving Office functions are not available and the WATS Serving Office.

When the necessary WATS Serving Office functions are not provided at the wire center which serves the end user's CDL, the Telephone Company will designate the wire center where the WATS Serving Office functions are available.

(C) Special Access Line (SAL)

- (1) A Special Access Line provides the transmission facilities to a Customer Designated Location (CDL) or the facilities between a CDL and the serving wire center. This rate element varies by type of capability (i.e., analog or digital) and type of facility (e.g., Voiceband, Digital Data Service, etc.).

When a Voiceband Special Access service is ordered to be terminated at a customer's designated Interexchange Carrier's all-digital CDL which requires a minimum digital interface level of 1.544 Mbps, the Telephone Company will provide the required interface and assess the customer a Voiceband SAL, for the facility between the all-digital CDL and its serving wire center. All other appropriate charges apply in addition to the Voiceband SAL.

SAL rates for DS3 offerings vary with the level of capacity, number of services and whether the interface provided is electrical or optical.

Installation of E1/DS1/DS3 SALs is as set forth in 5.6.1(E)(3). The applicable rates are the nonrecurring charge and monthly rate set forth per E1/DS1/DS3 SAL installed.

\* Special Transport for DS1 and DS3 Special Access, when used with Switched Access, is not available for arrangements between service areas listed under 5.2.7(H).

---

FACILITIES FOR INTERSTATE ACCESS

---

5. SPECIAL ACCESS (Cont'd)

5.1 General (Cont'd)

4.1.1 Rate Elements (Cont'd)

(C) Special Access Line (SAL) (Cont'd)

(1) (Cont'd)

The selection of a Terminating Option, as defined in 5.3, is required for terminating the network portion of a Special Access Line at a CDL. Terminating Options provide a clearly delineated interface which facilitates the design, isolation, and testing of the Special Access. For DS3 Special Access, the customer may specify either an electrical or optical interface as set forth in 3.1.1(F).

E1 service is provided only with an electrical interface, and is subject to the availability of suitable fiber optic facilities between the CDL and the serving wire center.

One Special Access Line charge applies per CDL at which the facility is terminated. This charge applies even if the facilities to the CDL do not transit a serving wire center; this charge also applies if the CDL and the serving wire center are co located in a Telephone Company building. Connection to Telephone Company provided DS1 or DS3 SALs within a serving wire center for customers with EIS will require a Special Access Cross Connect arrangement as described in 5.1.1(D). The Special Access Line charge used with a Switching Interface, as set forth in (2) below, is applicable only for the transmission facilities between the end user's CDL and the serving wire center of that location.

- (2) A Special Access Line may be provided in conjunction with FGA, FGB, FGD, BSA-A, BSA-B, and BSA-D Switched Access Service for the purpose of Originating Only, Terminating Only or Combined Originating and Terminating Access as set forth in 4.2.1 and 4.2.2. A Switching Interface is required for the provision of this service as set forth in 4.2.5(V). The Special Access Line provides the closed end of the dedicated facilities between an end user's CDL and its serving wire center. This serving wire center may or may not be a WATS Serving Office. In those instances when the serving wire center is not a WATS Serving Office Special Transport is applicable as set forth in 5.1.1(B) to the nearest Telephone Company WATS Serving Office.

The Switched Access used in conjunction with the Special Access Line provides various standard switching functionalities and optional arrangements as set forth in Section 5.2.5(V).

---

FACILITIES FOR INTERSTATE ACCESS

---

5. SPECIAL ACCESS (Cont'd)

5.1 General (Cont'd)

5.1.1 Rate Elements (Cont'd)

(C) Special Access Line (SAL) (Cont'd)

(2) (Cont'd)

All Special Access Lines used with a Switching Interface are:

provided with dial pulse address signaling or Dual Tone Multifrequency (DTMF) address signaling and either loop start or ground start supervisory signaling. The type of signaling is the option of the customer.

available as either a two wire or four wire Voiceband Special Access Service (i.e., 300 3000 Hz bandwidth). Each transmission path is provided at the option of the customer with transmission specifications as described in Section 7000 of the GTE Technical Interface Reference Manual.

All rules and regulations pertaining to Special Access are applicable to Special Access Lines used with a Switching Interface. Rates and Charges are found in 5.7.5 for two wire and four wire Voiceband Special Access Lines.

A customer may also order high capacity facilities from an end user's CDL to a Telephone Company Hub for the purpose of originating or terminating Special Access Lines used with a Switching Interface. High capacity to voice multiplexing will be required at the Hub. The customer will be required to submit an ASR for the high capacity facility and voice multiplexing. The customer will also be required to submit an ASR(s) for the individual Voiceband SALs specifying the channel facility assignment (CFA) for each service. This Hub may or may not be a WATS Serving Office. In those instances when the Hub is not a WATS Serving Office, Voiceband Special Transport is applicable as set forth in 5.1.1(B), for each individual Special Access Line used with a Switching Interface to the Telephone Company designated WATS Serving Office.

---

---

FACILITIES FOR INTERSTATE ACCESS

---

5. SPECIAL ACCESS (Cont'd)

5.1 General (Cont'd)

5.1.1 Rate Elements (Cont'd)

(D) Special Access Cross Connect for EIS

The Special Access Cross Connect charge provides the communications path between Telephone Company provided DS0 (DDS operating at bandwidth), DS1 or DS3 Special Access Lines or Special Access Transport and a customer's transmission equipment and facilities where the customer is provided EIS as defined in Section 17. The Special Access Cross Connect charge may also provide the communications path between a customer's transmission equipment and facilities where the customer is provided EIS and EIS arrangements of another customer via Dedicated Transport Service as set forth in Section 18.1. The Special Access Cross Connect is available as DS0, DS1, or DS3 connections. The DS0 Cross Connect can accommodate 64Kbps DDS. The Cross Connect arrangement may be connected directly to Telephone Company provided 64Kbps DDS service or to a Telephone Company provided 64Kbps DDS or DS3 multiplexing arrangement located in a Telephone Company Hub. The Cross Connect charge applies per DS0 (64Kbps), DS1, or DS3 connection.

In addition to the Special Access Cross Connect arrangements described herein, Optical Facility Terminations are available as described in Section 18.2.

Rates for DS0, DS1, and DS3 Cross Connect arrangements listed in Section 5.10 and rates for Optical Facility Terminations listed in Section 18.2(E) will apply in addition to the other rates and charges as specified in Section 17.

(E) Supplemental Features

Supplemental Features may be added to a Special Access circuit to improve its quality or utility to meet specific communications requirements. These are not necessarily identifiable with specific facilities, but rather represent the end result in terms of performance characteristics which may be obtained. These characteristics may be obtained by using various combinations of facilities. Although the facilities necessary to perform a specified function may be installed at various locations along the path of the Special Access circuit, including the CDL, it will be provided for as a single rate element.

Examples of Supplemental Features that are available include, but are not limited to, bridging and conditioning. Each Supplemental Feature is described in 5.4, and rates are set forth in 5.7.

---

FACILITIES FOR INTERSTATE ACCESS

---

5. SPECIAL ACCESS (Cont'd)

5.1 General (Cont'd)

5.1.1 Rate Elements (Cont'd)

(F) Multiplexing Arrangements

Multiplexing provides for arrangements to convert a single higher capacity or bandwidth circuit for bulk transport to several lower capacity or bandwidth circuits. Multiplexing is available at a Telephone Company designated Hub Wire Center arranged for multiplexing, or at a CDL where multiplexing functions are performed using a DS3 Premises Multiplexer. All types of multiplexing may not be available at each Hub Wire Center. Refer to Section 5.6.6 for a description of Hub Wire Center. Descriptions for each type of multiplexing arrangements are provided in 5.5 following, and rates are set forth in 5.7 following.

(G) Special Transport Termination

(1) DS1, E1 and DS3 Service

The Special Transport Termination rate element as set forth in 5.7, applies only to DS1, E1, Individual DS3 and System DS3 offerings and is in addition to the Special Transport rate element. Special Transport Termination provides the equipment and arrangements necessary to terminate the Special Transport facility at a serving wire center. One Special Transport Termination charge applies for the termination of each end of a Special Transport facility for E1, DS1 and DS3 (Individual and Systems) offerings.



---

FACILITIES FOR INTERSTATE ACCESS

---

5. SPECIAL ACCESS (Cont'd)

5.1 General (Cont'd)

5.1.2 Special Access Configurations

There are two types of facility configurations over which Special Access Services are provided – two-point and multipoint.

(A) Two point Service

A two point configuration is a circuit which is provided to connect two CDLs, either directly connected, through a Hub Wire Center where multiplexing functions are performed, or through a DS3 Premises Multiplexer where multiplexing functions are performed at a CDL. A two-point configuration also connects a CDL and a WATS Serving Office.

All Special Access offerings may be provided as a two point configuration.

With the exception of Temporary Videoband Service, applicable rate elements are:

- Special Access Lines
- Special Transport (when applicable)
- Special Transport Termination (when applicable)
- Supplemental Features (when applicable)
- Multiplexing Arrangements (when applicable)

FACILITIES FOR INTERSTATE ACCESS

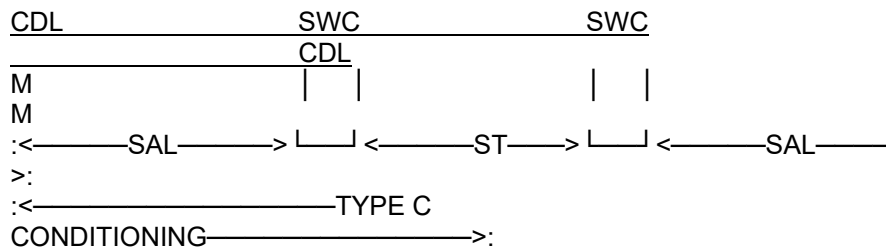
5. SPECIAL ACCESS (Cont'd)

5.1 General (Cont'd)

5.1.2 Special Access Configurations (Cont'd)

(A) Two point Service (Cont'd)

The following diagram depicts a typical two point service connecting two CDLs. The service is provided with the supplemental feature of Type C Conditioning:



SAL Special Access Line  
 ST Special Transport  
 SWC Serving Wire Center  
 CDL Customer Designated Location

Applicable rate elements are:  
 Special Access Line (2 applicable)  
 Special Transport ( per airline mile between SWCs)  
 Supplemental Feature of Type C Conditioning (2 applicable)

In addition, a Special Access Surcharge, as set forth in 5.6.9 following, and a Message Station Equipment Recovery Charge, as set forth in 5.6.10 following may be applicable.

---

FACILITIES FOR INTERSTATE ACCESS

---

5. SPECIAL ACCESS (Cont'd)

5.1 General (Cont'd)

5.1.2 Special Access Configurations (Cont'd)

(B) Multipoint Service

A multipoint configuration is a circuit that is provided to connect three or more CDLs through a Telephone Company Hub Wire Center.

Only Voiceband, Program Audio, Digital Data Service facilities, and Miscellaneous Services where so designated, will be provided as multipoint configurations. There is no limitation on the number of mid links, but the use of more than three mid links in tandem may degrade the quality of the multipoint facilities. A mid link is defined as the Special Transport facilities between Hub Wire Centers where the circuit is bridged and/or where circuit switching devices, such as loop transfer arrangement, are located.

Multipoint service is provided in the following manner:

- (1) Special Access Line per CDL to their respective serving wire centers.
- (2) Special Transport between serving wire centers associated with the CDLs and the Hub Wire Center.
- (3) Special Transport between Hub Wire Centers.
- (4) Supplemental Features: Bridging equipment for each bridging location and other Supplemental Features when applicable.
- (6) Multiplexing Arrangements when applicable.

FACILITIES FOR INTERSTATE ACCESS

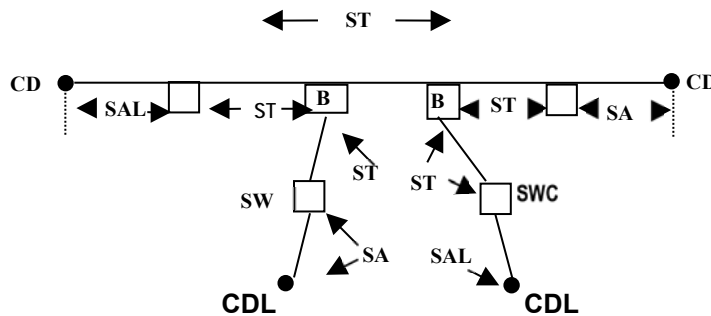
5. SPECIAL ACCESS (Cont'd)

5.1 General (Cont'd)

5.1.2 Special Access Configurations (Cont'd)

(B) Multipoint Service

The following diagram depicts a multipoint service connecting four CDLs via two customer specified Hub Wire Centers:



- SAL - Special Access Line
- ST - Special Transport
- SWC - Serving Wire Center
- CDL - Customer Designated Location
- HWC - Hub Wire Center
- B - Bridging

Applicable rate elements are:

- Special Access Lines (4 applicable)
- Special Transport (5 segments, per airline between SWCs and HWCs)
- Bridging (6 applicable, one per bridge port)

In addition, the Special Access Surcharge, as set forth in 5.6.9 following, and the Message Station Equipment Recovery Charge, as set forth in 5.6.10 may be applicable.

---

## FACILITIES FOR INTERSTATE ACCESS

---

### 5. SPECIAL ACCESS (Cont'd)

#### 5.1 General (Cont'd)

##### 5.1.3 Special Facilities Routing

A customer may request that the facilities used to provide Special Access Service be specially routed. The regulations, rates and charges for Special Facilities Routing (i.e., Avoidance, Diversity and Cable Only) are as set forth in Section 9 following.

##### 5.1.4 Design Layout Report

The Telephone Company will provide to the customer the makeup of the Special Access provided under this Guide to aid the customer in designing its overall service. This information will be provided in the form of a Design Layout Report and will include the following:

Cable gauge, length and loading.  
Makeup (e.g., T Carrier, two wire, four wire, etc.)  
Specific pair of circuit assignment at the customer designated location.

The Design Layout Report will be provided to the customer within fourteen working days from the ASR Date. Updated reports will be reissued within fourteen working days whenever facilities provided to the customer are materially changed. Both the initial and updated Design Layout Reports will be provided to the customer at no charge.

---

FACILITIES FOR INTERSTATE ACCESS

---

5. SPECIAL ACCESS (Cont'd)

5.1 General (Cont'd)

5.1.5 Acceptance Testing

At the time of installation, the following test parameters apply:

- (A) For Voiceband services, acceptance testing will include tests for loss, 3 tone slope, DC continuity, operational signaling, C notched noise, and C message noise.

When the Interface Arrangement provides a four wire voice transmission facility and the point of termination provides two wire voice transmission (i.e., there is a four wire to two wire conversion at the point of termination) balance tests are also included in acceptance testing. When performing installation and acceptance testing, the Telephone Company will test the access service within the LATA.

On four wire and effective four wire circuits where the Network Channel Terminating Equipment (NCTE) has the capability of being remotely aligned, the Telephone Company may perform acceptance testing without a Telephone Company technician at the customer's premise. Should the customer request a technician be present at the customer's premise, additional charges will apply as set forth in Section 6.2(C). The applicable rates are in Section 6.2(G).

If the NCTE at the customer's premise does not have the capability of being aligned remotely, the additional charges will not apply. The Telephone Company will determine the type of NCTE placed at a customer's premise.

- (B) For other analog services (i.e., Program Audio, Video) and for digital services (i.e., Digital Data Services and High Capacity Digital Services), acceptance testing will include tests for the parameters applicable to the service as set forth in Section 7000 of the GTE Technical Interface Reference Manual for each of these services.

When the customer requests the performance of additional cooperative tests which are not required to meet these specified performance parameters, charges as set forth in 6.6 (B) following will apply. All test results will be made available to the customer upon request.

If acceptance tests are not started within 15 minutes after pre service tests have been completed and the customer has been notified by the Telephone Company, additional charges may apply, as set forth in 6.2 following, unless the delay is caused by the Telephone Company.

---

## FACILITIES FOR INTERSTATE ACCESS

---

### 5. SPECIAL ACCESS (Cont'd)

#### 5.1 General (Cont'd)

##### 5.1.6 Ordering Conditions

Ordering conditions are set forth in detail in Section 3 preceding. Also included in that section, are other charges which may be associated with ordering Special Access (e.g., Service Date Change Charges, Cancellation Charges, etc.).

##### (A) Determination of Jurisdiction of Mixed Use Special Access Lines

When mixed interstate and intrastate Special Access Service is ordered, the jurisdiction will be determined as follows:

1. If the customer's estimate of the interstate traffic on the physically intrastate line involved constitutes 10% or less of the total traffic on that line, the line will be ordered and provided in accordance with the applicable rules and regulations of the appropriate intrastate tariff.
2. If the customer's estimate of the interstate traffic on the physically intrastate line involved constitutes more than 10% of the total traffic on that line, the line will be ordered and provided in accordance with the applicable rules and regulations of this Guide.
4. Lines in service on the effective date of this Guide certified to be jurisdictionally intrastate and having a maximum termination liability associated with them will not be assessed the termination liability. The customer must submit an ASR for each line changing jurisdiction no later than 90 days from the effective date of this Guide to have the termination liability waived.

##### (B) Special Access Jurisdictional Verification

If a billing dispute arises or a regulatory commission questions the customer's certification of the jurisdiction of the line the Telephone Company will ask the customer to provide the data used to determine the jurisdiction. The customer shall supply the data within 30 days of the Telephone Company's request. The customer shall keep records of system design and functions from which the jurisdiction can be ascertained and upon request of the Telephone Company make the records available for inspection as reasonably necessary for purposes of verification of the jurisdiction of the service

---

---

## FACILITIES FOR INTERSTATE ACCESS

---

### 5. SPECIAL ACCESS (Cont'd)

#### 5.2 Description of Special Access

There are five generic types of Special Access offerings. They are:

- Voiceband
- Program Audio
- Videoband
- High Capacity Digital
- Digital Data Service

Each type has its own characteristics, and are subdivided by one or more of the following:

- Transmission specifications
- Bandwidth
- Speed (i.e., bit rate)
- Spectrum

The Special Access offerings described below are comprised of a combination of the rate elements described in 5.1.1. The following descriptions indicate the most effective use for each facility. Customer use for purposes other than those indicated is limited only to the extent that such use must not harm the network. Further, the Telephone Company does not guarantee transmission performance beyond the parameters identified in the descriptions.

The transmission performance characteristics of each Special Access offering are stated in Section 7000 of the GTE Technical Interface Reference Manual. The Telephone Company will maintain existing transmission specifications on services installed prior to the effective date of this Guide, except that existing services with performance specifications exceeding the standards in the GTE Technical Interface Reference Manual will be maintained at the performance level specified in the manual. Where transmission performance characteristics are required other than those as stated in Section 7000 of the GTE Technical Interface Reference Manual, the Telephone Company will review, and where technically feasible, will develop rates and charges for the additional costs associated with provisioning the parameters. These rates and charges will be filed on an individual case basis in Section 5.9 and will apply in addition to all other applicable rates and charges.

---



---

## FACILITIES FOR INTERSTATE ACCESS

---

### 5. SPECIAL ACCESS (Cont'd)

#### 5.2 Description of Special Access (Cont'd)

The customer also has the option of ordering Voiceband and analog and digital high capacity facilities to a Telephone Company Hub for multiplexing to individual channels of a lower capacity or bandwidth. Descriptions of the types of multiplexing available at the Hubs, as well as the number of individual channels which may be derived from each type of facility, are set forth in 5.5. Additionally, the customer may specify supplemental features for the individual channels derived from the facility to further tailor the channel to meet specific communications requirements. Descriptions of the supplemental features available are set forth in 5.4.

For example, a customer may order a DS3 from a CDL to a Telephone Company Hub for multiplexing to 28 DS1 channels. The DS1 channels may be further multiplexed at the same or a different Hub to Voiceband channels or may be extended to other CDLs. Optional features may be added to either the DS1 or the Voiceband channels.

##### 5.2.1 Voiceband

###### (A) Two Wire Voiceband Facility

These facilities are unconditioned and are capable of transmitting voice or data signals within the frequency spectrum of approximately 300 Hz to 3000 Hz. These facilities are furnished on a two point or multipoint basis and may be terminated two wire or four wire at the point of termination. They permit the simultaneous transmission of information in both directions over a circuit, but it is not possible to ensure independent information transmission in both directions. Supplemental features may be added, at applicable charges, to enhance the operational capabilities of these facilities.

###### (B) Four Wire Voiceband Facility

These facilities are unconditioned and are capable of transmitting voice or data signals within the frequency spectrum of approximately 300 Hz to 3000 Hz. The facilities are furnished on a two point or multipoint basis and may be terminated two wire or four wire at the point of termination. When terminated four wire, they permit simultaneous independent transmission of information in both directions over a circuit. However, when terminated two wire, simultaneous independent transmission cannot be supported. Supplemental features may be added, at applicable charges, to enhance the operational capabilities of these facilities.

---

FACILITIES FOR INTERSTATE ACCESS

---

5. SPECIAL ACCESS (Cont'd)

5.2 Description of Special Access (Cont'd)

5.2.3 Program Audio #

These facilities are arranged and provided for the transmission of audio to be broadcast or which is to be used in connection with loudspeakers, wired music, closed circuit or recordings. Audio facilities are furnished for transmission in one direction. Audio facilities may be provided on a two point or multipoint basis.

Program audio facilities are provided on either a full time or part time basis. The minimum periods for full time and part time service are set forth in Section 3.2.4. When a part time program audio service is provided for ten or more consecutive days, it will be treated as a full time service and rated accordingly. In no event will the charge for continuous part time program audio exceed the amount that would have been charged in the same time period for full time program audio facilities.

- # Effective January 22, 2014, orders for new Program Audio Service are no longer permitted. The Telephone Company will continue to provide Program Audio Service pursuant to this Section 5.2.3 on existing Program Audio Service in service as of January 22, 2014, or orders for Program Audio Service placed with the Telephone Company prior to January 22, 2014 (collectively, Existing Program Audio Service), subject to the following condition:

The Telephone Company will continue to provide Existing Program Audio Service until the earlier of the date that customer replaces the Existing Program Audio Service with a comparable Telephone Company-provided service, or the date that customer discontinues service, or the date that Telephone Company discontinues service. Moves, additions, and changes are not permitted.

---

FACILITIES FOR INTERSTATE ACCESS

---

5. SPECIAL ACCESS (Cont'd)

5.2 Description of Special Access (Cont'd)

5.2.3 Program Audio #

Listed below are the types of Program Audio facilities that are offered under this Guide.

(A) 200 to 3500 Hz

Facilities are generally acceptable for speech quality programming and are subject to use over limited distance due to transmission factors.

(B) 100 to 5000 Hz

Facilities are generally acceptable for music and provide good quality speech programming.

(C) 50 to 8000 Hz

Facilities for the provision of high fidelity music transmission.

(D) 50 to 15000 Hz

Facilities for the provision of high fidelity music transmission. Two such facilities may be conditioned, at applicable charges, for stereo operation.

# Service availability limited. See # note on Page 5-18.

---

---

FACILITIES FOR INTERSTATE ACCESS

---

5. SPECIAL ACCESS (Cont'd)

5.2 Description of Special Access

5.2.4 Video Digital Transport Service

(A) General

Video Digital Transport facilities are arranged and provided for the transmission of television to be broadcast or used in connection with viewing, recording, managing or editing of moving pictures or video frames of information.

The Telephone Company will have no control over, nor be responsible for the video program signal generation or program content connected by the customer to the transmission path provided by the Telephone Company.

The Telephone Company will supply and maintain network interface equipment at the customer location as part of this offering. The customer will supply appropriate terminal equipment beyond the demarcation point which complies with the required specifications to interface with the Telephone Company's terminal interface. The Telephone Company is not responsible for the quality of the video signal originating or terminating in customer provided equipment.

There are two categories of Video Digital Transport Services: Type I (Temporary Facility) and Type II (Permanent Facility).

Video Digital Transport - Type I facilities are furnished for two point unidirectional transmission or, when run through the Telephone Company's hub, multipoint unidirectional capabilities are available and Video Digital Transport - Type II facilities are furnished for two-point or multipoint unidirectional or bidirectional transmission of United States 525 line/60 field standard monochrome and National Television Systems Committee (NTSC) color television baseband video signals and the associated audio signals.

---

FACILITIES FOR INTERSTATE ACCESS

---

5. SPECIAL ACCESS (Cont'd)

5.2 Description of Special Access (Cont'd)

5.2.4 Video Digital Transport Service (Cont'd)

(B) Video Digital Transport Services - Type I (Temporary Facility)

Video Digital Transport Services - Type I are provided on a full time or part time (temporary) basis. The minimum periods are set forth in 3.2.4 and 3.2.5 preceding. The monthly rates and nonrecurring charges for full time Video Digital Transport Service - Type I will be developed on an Individual Case Basis. The hourly rates and nonrecurring charges for temporary service are those set forth in Section 5.7.4(A).

There is a maximum monthly charge that may be assessed to any temporary Video Digital Transport Service - Type I, as described in Section 5.6.1(C).

Technician Standby is a nonoptional arrangement furnished only in conjunction with temporary Video Digital Transport Service - Type I. Technician Standby provides for Telephone Company monitoring of the temporary video broadcast to ensure satisfactory transmission. The Telephone Company will determine the location of the video technician. At the option of the customer, additional technicians will be made available during the temporary broadcast; the customer will be assessed the Technician Standby charge, as set forth in Section 5.7.4(A), for each additional technician.

A customer may request (as an option) an active, alternate temporary Type I Video Digital Transport transmission path for use in the event that the primary service becomes inoperative. This is referred to as a "hot standby" facility. The charge for this additional service will be the nonrecurring charges and hourly rates set forth in Section 5.7.4(A) for Temporary Video Digital Transport - Type I Facilities. Technician Standby charges are not applicable to the "hot standby" facility.

---

FACILITIES FOR INTERSTATE ACCESS

---

5. SPECIAL ACCESS (Cont'd)

5.2 Description of Special Access (Cont'd)

5.2.4 Video Digital Transport Service (Cont'd)

(C) Video Digital Transport Services - Type II

Video Digital Transport Service -Type II includes TV1-Analog, Up to 45 Mbps, and 270 Mbps# offerings.

Video Digital Transport Service - Type II/TV1-Analog is a video transport system for the transmission of broadcast quality video signals. These technical specifications are set forth below. Video Digital Transport Service - Type II is available to customers connected to the network via existing fiber optic or other compatible facilities. Customers requesting Video Digital Transport Service - Type II who are not served by compatible facilities may request the Telephone Company to provide such facilities in accordance with the Special Construction provisions set forth in Section 3.1.3 preceding.

# Effective March 8, 2008, orders for new 270Mbps Bi-Directional Video Digital Transport Service – Type II subscribed to on a month-to-month arrangement, on a term commitment plan basis, or on a short duration - daily basis are no longer permitted. The Telephone Company will continue to provide 270 Mbps Bi-Directional Video Digital Transport Service – Type II pursuant to this Section 5 to customers currently subscribing to this service on a month-to-month arrangement or on a term commitment plan basis, or for any future order for 270 Mbps Bi-Directional Video Digital Transport Service – Type II subscribed to on a month-to-month arrangement or term commitment plan basis that is placed with the Telephone Company prior to March 8, 2008, (collectively, Existing 270 Mbps Bi-Directional Video Digital Transport Service – Type II) subject to the following conditions:

- a. The Telephone Company will continue to provide Existing 270 Mbps Bi-Directional Video Digital Transport Service – Type II that is currently subscribed to a term commitment plan for an additional six (6) months beyond the expiration date of the customer's current term commitment plan, or until the customer replaces the Existing 270 Mbps Bi-Directional Video Digital Transport Service – Type II with a comparable Telephone Company provided service, or discontinues service, whichever comes first. Subject to availability of network facilities, moves, additions, and/or changes are permitted provided that such moves, additions and/or changes do not require a new term commitment plan or an extension to a term commitment plan.
- b. The Telephone Company will continue to provide Existing 270 Mbps Bi-Directional Video Digital Transport Service – Type II that is currently subscribed to on a month-to-month basis until September 8, 2008, or until the customer replaces the Existing 270 Mbps Bi-Directional Video Digital Transport Service – Type II with a comparable Telephone Company provided service, or discontinues service, whichever comes first. Moves, additions, and/or changes are not permitted for customers subscribed on a month-to-month basis.

---

FACILITIES FOR INTERSTATE ACCESS

---

5. SPECIAL ACCESS (Cont'd)

5.2 Description of Special Access (Cont'd)

5.2.4 Video Digital Transport Service (Cont'd)

(C) Video Digital Transport Services - Type II (Cont'd)

The Telephone Company will provide technical support at its hub wire centers on a 24 hour, 7 days per week basis. This support will provide for the establishment, testing and termination of the facility transmission path from the customer location to the video carrier's location. The Telephone Company is authorized, on behalf of the customer, to take whatever action is appropriate to sustain a video transmission within the technical specifications.

TV1-Analog and 45 Mbps Video Digital Transport Services meet EIA/TIA 250-C specifications.

Refer to SMPTE 0259M-2008 for additional technical specifications associated with Video Digital Transport Type II - 270 Mbps.

270 Mbps Uni-Directional Video Digital Transport Services – Type II may be connected to a Telephone Company provided integrated optical service, where such connections are technically and operationally feasible, as determined by the Telephone Company. The 270 Mbps Uni-Directional Video Digital Transport Services – Type II DVL charge will not apply at the integrated optical service end of the circuit.

---

FACILITIES FOR INTERSTATE ACCESS

---

5. SPECIAL ACCESS (Cont'd)

5.2 Description of Special Access (Cont'd)

5.2.7 High Capacity Digital\*\*

These facilities are two-point and are furnished between CDLs or between a CDL and a Telephone Company designated Hub Wire Center where multiplexing is offered. High Capacity facilities may be used to provide Special Access Lines as set forth in 5.1.1(C)(2). A High Capacity to Voice multiplexing arrangement, as described in Section 5.5, is required at the Hub Wire Center. High Capacity DS1 and DS3 services may also be connected to customer transmission equipment and facilities where the customer is provided EIS as defined in Section 17.

(A) DS1 facilities provide for the transmission of isochronous bipolar serial data at a rate of 1.544 Mbps.

(B) FiberConnect is provided on fiber optic cable with an electrical interface and provides the customer with four (4) transmission channels of 1.544 Mbps each at the interface. FiberConnect service provides for the transmission of an isochronous serial data stream at a rate of 1.544 Mbps per transmission channel.

FiberConnect is offered only on a one for one protected basis between a CDL and its serving wire center. FiberConnect is not available with multipoint services. Special Transport between serving wire centers for FiberConnect is ordered as four (4) DS1s.

FiberConnect facilities are only available as an Optional Payment Plan (OPP) in accordance with 5.6.12 following.

(C) DS3 facilities provide for the transmission of isochronous bipolar serial data at a rate of 44.736 Mbps. The Telephone Company will provide either an interface with Telephone Company electronics (electrical) or without Telephone Company electronics (optical) at the option of the customer. Ordering conditions are set forth in 3.1.1(F). EIS is not available with DS3 services provided with an optical interface.

\*\* High Capacity DS1 and DS3 services may be provided between service areas shown under 5.2.7(H), where facilities and conditions permit.



---

FACILITIES FOR INTERSTATE ACCESS

---

5. SPECIAL ACCESS (Cont'd)

5.2 Description of Special Access (Cont'd)

5.2.7 High Capacity Digital\*\* (Cont'd)

(D) E1 facilities provide for the transmission of isochronous bipolar serial data at a rate of 2.048 Mbps. E1 facilities are only provided with an electrical interface.

(E) Interzone Service Areas

Interzone Service provides the transmission facilities for DS1 and DS3 Special Access and DS1 and DS3 Optical Networking Access Services between two service areas within a state in association with two customer designated locations within different service areas. Optical Networking Access Services are available from Section 20. The associated regulations, rates and charges from Section 20 shall apply, as applicable, in addition to the rates and charges associated with the DS1 and DS3 Special Access rate elements. Special Transport and Special Transport Termination will be applied as set forth under 4.1.1 and 4.1.1(G).

FACILITIES FOR INTERSTATE ACCESS

---

5. SPECIAL ACCESS (Cont'd)

5.2 Description of Special Access (Cont'd)

5.2.8 DS1/DS3/FiberConnect Enhanced Access Diversity (EAD)

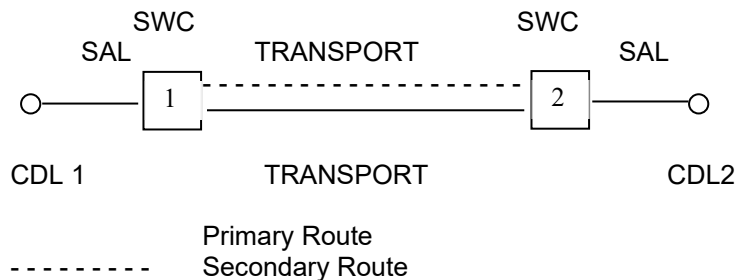
Where the appropriate facility routes and/or capacity exists, the Telephone Company will provide, at the option of the customer, the following types of Enhanced Access Diversity for DS1/DS3/FiberConnect service.

EAD will be provided utilizing existing routes and facilities in the configurations described and illustrated in (A), (B) or (C). Other diverse routing arrangements may be provided if suitable facilities are available under the terms and conditions of Special Facilities Routing of FIA in Section 9.

EAD will be provided at rates and charges for the DS1/DS3/FiberConnect as set forth in 5.7.17.

(A) Common Wire Center, Separate and/or Common Facilities Diversity

Diversity from one CDL serving wire center to a second CDL serving wire center. This type of diversity is for interoffice transport only.



Two diverse circuits between serving wire centers. The SAL portion may be diverse if facilities are available.

FACILITIES FOR INTERSTATE ACCESS

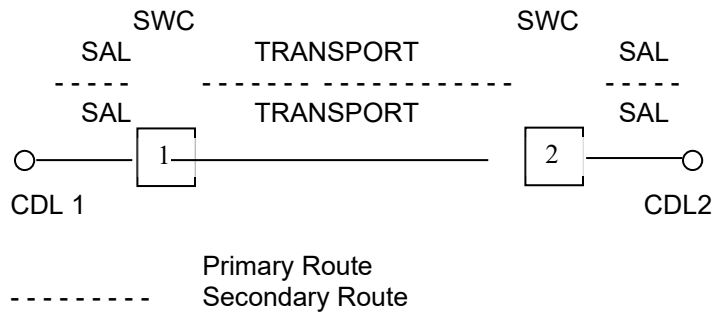
5. SPECIAL ACCESS (Cont'd)

5.2 Description of Special Access (Cont'd)

5.2.8 DS1/DS3/FiberConnect Enhanced Access Diversity (EAD) (Cont'd)

(B) Common Wire Center, Separate Facilities Diversity

Diversity from one CDL to a second CDL using common serving wire centers, but on physically separate facilities. One circuit will be established between the CDLs and a second circuit will be established between the CDLs which may have common serving wire centers utilizing separate entrance facilities.



Two diverse circuits between serving wire centers. The SAL and Transport facilities must be separate, although the SWC's may be the same.

FACILITIES FOR INTERSTATE ACCESS

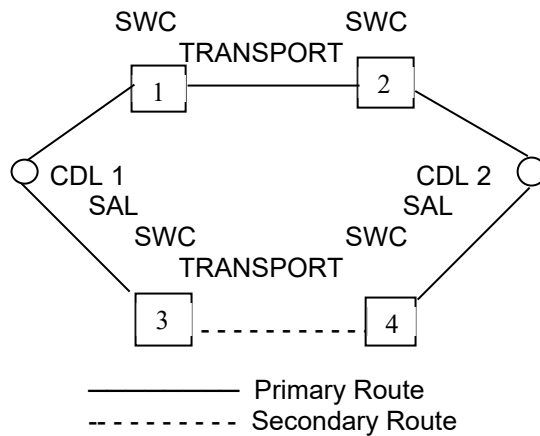
5. SPECIAL ACCESS (Cont'd)

5.2 Description of Special Access (Cont'd)

5.2.8 DS1/DS3/FiberConnect Enhanced Access Diversity (EAD) (Cont'd)

(C) Separate Serving Wire Center Diversity

Diversity between two CDLs with no common serving wire centers. One circuit will be established between the CDLs and a second physically separate circuit will be established between CDLs.



Two diverse circuits between serving wire centers. The SAL and Transport facilities must be entirely separate.

In the event that both the primary (standard route) and secondary (diverse route) service are simultaneously out of service for five or more minutes, the customer will be issued a credit allowance of \$200.00 per service.\* This credit allowance is in addition to the credit allowance in 2.8.1.1(A)(1). This credit allowance is in lieu of the credit allowance in 2.8.1.1(A)(3). The credit allowance will not apply if the failure occurs at a common serving wire center. The credit allowance will not exceed the monthly charge for the interrupted service.

A credit allowance will not be extended in accordance with conditions in 2.1.3(H) and 2.8.4(B) for the repair of Telephone Company owned facilities used to provide diverse routing.

---

FACILITIES FOR INTERSTATE ACCESS

---

5. SPECIAL ACCESS (Cont'd)

5.2 Description of Special Access (Cont'd)

5.2.8 DS1/DS3/FiberConnect Enhanced Access Diversity (EAD) (Cont'd)

(C) Separate Serving Wire Center Diversity (Cont'd)

The Telephone Company will provide the required routing information for each specially routed service to only the ordering customer. The customer may request this information when service is installed, prior to any subsequent changes in routing and on a recurring quarterly basis. Known diversity compromises will be included in the routing information report supplied to the customer.

When DS3 service is multiplexed, rates and charges will apply for each DS1 EAD service connecting to the multiplexer. Applicable rates and charges for the DS3 service will also apply if the customer orders EAD service for the DS3.

Rates for EAD appear in Section 5.7.17 and are in addition to all other rates and charges.

5.2.9 Digital Data Service

Facilities for Digital Data Service are furnished for the simultaneous two way transmission of synchronous data and are available at transmission speeds of: 2.4 Kbps, 4.8 Kbps, 9.6 Kbps, 19.2 Kbps, 56 Kbps or 64 Kbps. Digital Data facilities may be provided on a two point or multipoint basis.

---

FACILITIES FOR INTERSTATE ACCESS

---

5. SPECIAL ACCESS (Cont'd)

5.2 Description of Special Access (Cont'd)

5.2.10 Bonded Digital Link Service

(A) Service Description

Bonded Digital Link Service provides connecting channels for the transmission of voice or data between an end user's local exchange service terminating at a digital cross connect facility and special access service provided by the Telephone Company within the same wire center or at another wire center within the same LATA.

Bonded Digital Link Service is comprised of Intra-office channels (channels within a single wire center) or Inter-office channels (channels between two wire centers) connecting the wire centers of the locations involved. The minimum transmission rate for the service is 64 kbps in a DS0 channel. The Telephone Company will provide for the transmission of DS0 channels within a DS1 signal of the customer's (the end user) associated local exchange service from the digital cross connect facility in the customer's serving wire center to a 64 kbps channel of a customer's DS1 to Digital central office multiplexing arrangement within the same wire center or in a different wire center. The total number of DS0s on a Bonded Digital Link Service channel may not exceed the total capacity of the DS1 or equivalent service to which it is connected.

At the customer's option, the Telephone Company will bond contiguous DS0 channels in order to provide higher data rates. The following data rates are available:

- 64 kbps; 1 DS0 equivalent channel
- 128 kbps; 2 DS0 equivalent channel
- 256 kbps; 4 bonded equivalent DS0s
- 384kbps; 6 bonded equivalent DS0s
- 512 kbps; 8 bonded equivalent DS0s
- 768 kbps; 12 bonded equivalent DS0s

For the transmission of the Bonded Digital Link channels, the Telephone Company assumes responsibility for the routing of the customer's DS0 and bonded DS0 circuits over the Telephone Company's interoffice network in order to maximize network efficiencies and to optimize economic efficiencies.

---

FACILITIES FOR INTERSTATE ACCESS

---

5. SPECIAL ACCESS (Cont'd)

5.2 Description of Special Access (Cont'd)

5.2.10 Bonded Digital Link Service (Cont'd)

(B) Terms and Conditions

- (1) Bonded Digital Link Service is available within or between wire centers where suitable digital cross-connect technology exists to perform DS1 to DS0 multiplexing functions. Those locations (wire centers) are set forth in NATIONAL EXCHANGE CARRIER ASSOCIATION, INC. TARIFF F.C.C. NO. 4.
- (2) The service may only be used for connection from a wire center with a digital hubbing arrangement to a DS1 special access service capable of assignment to compatible DS0 channels. The customer or its authorized representatives must designate the DS0 channels on the special access service connected to this service. Data rates above 64 kbps require contiguous DS0 channel assignments. Connection to services other than special access service is prohibited.
- (3) Bonded Digital Link Service is provided with a one-year minimum service period. If service is disconnected prior to satisfying the minimum service period (i.e., within the first twelve months), minimum period charges apply. The minimum period charge is equal to (C) 100% of the monthly rate from the date of disconnection through the balance of the first twelve months of service.
- (4) This service is used for connectivity within or between wire centers. The rates and charges for Bonded Digital Link Service apply as a flat rate per DS0 equivalent channel.
- (5) Credit for an interruption of Bonded Digital Link Service is subject to the basic credit allowance set forth for Special Access services as set forth in Section 2.8.1.1 preceding.
- (6) Bonded Digital Link Service is provided according to service date intervals as set forth in Section 3.2.1 preceding.
- (7) The rates and charges for Bonded Digital Link Service apply per DS0 equivalent channel (64 kbps). The customer is assessed either an Intra-office or an Inter-office Channel Charge for each DS0. Rates and charges are set forth in 5.7.5.1 following.

---

FACILITIES FOR INTERSTATE ACCESS

---

5. SPECIAL ACCESS (Cont'd)

5.2 Description of Special Access (Cont'd)

5.2.11 Miscellaneous Special Access Services

A description of each service provided under Miscellaneous Special Access Services, along with the rates is set forth in 4.8 following. Other Special Access rate elements may apply in addition to those found in 5.8.



---

FACILITIES FOR INTERSTATE ACCESS

---

5. SPECIAL ACCESS (Cont'd)

5.3 Description of Terminating Options

5.3.1 Voice Grade

(A) Two Wire Voice Grade, Non Data, Without Signaling

This option provides a two wire interface to a customer and terminates an effective two wire facility furnished for voice transmission only. Customer provided signaling must be limited to tones in the voice band. Customer provided voiceband signaling equipment must limit transmission power to 0.0 dBm peak and 13 dBm average power over a three second period.

(B) Four Wire Voice Grade, Non Data, Without Signaling

This option provides a four wire interface to the customer terminal equipment and terminates an effective four wire facility furnished for voice transmission only. Customer provided signaling must be limited to tones in the voiceband. Customer provided voice band signaling equipment must limit transmission power to 0.0 dBm peak and 13 dBm average power over a three second period.

(C) Voice Grade Data Termination

This option provides a two wire or four wire transmission interface to a customer's private line data modem and terminates an effective four wire facility furnished for voiceband data transmission.

(D) Two Wire Voice Grade Station Connecting Facility Termination

This option provides a means to terminate an effective two wire facility or an effective four wire facility with a two wire customer interface on a telephone, key system, PBX, ACD, or similar equipment. This option is normally used to terminate facilities that furnish foreign central office service, the station end of PBX off premises service, or private switched service network access lines. The option provides both the transmission and loop signaling functions normally associated with these services. The option is also used to terminate facilities arranged with automatic ringdown signaling. This option provides the loop and ringdown signaling with the facility.

---

FACILITIES FOR INTERSTATE ACCESS

---

5. SPECIAL ACCESS (Cont'd)

5.3 Description of Terminating Options (Cont'd)

5.3.2 Voice Grade (Cont'd)

(E) Four Wire Voice Grade Station Connecting Facility Termination

A terminating option similar to (D) preceding used to terminate effective four wire foreign central office service. The option provides a four wire transmission interface to the customer terminal equipment and the loop signaling function normally associated with these services. This option provides the loop and ringdown signaling with the facility.

(F) Two Wire Station Connecting Facility Termination for the Open End of an Off Premises PBX Extension

Terminating options are available depending on the signaling range of the PBX (or similar system) as defined in Part 68 of the FCC Rules and Regulations. Type 1 is an option requiring range extension equipment at the CDL. Type 2 is an option with no range extension equipment at the CDL. If needed, the loop signaling range equipment for Type 1 must be specifically specified, see Section 5.4.4 following for available arrangements.

(G) Dial Repeating Tie Trunk Termination

Two network terminating options are provided for terminating effective four wire transmission facilities used to furnish dial repeating tie trunk services. These options are described in terms of the interface they provide to a PBX (or similar system).

(1) A Type I tie line termination provides the customer with a two wire transmission interface and includes either two wire or four wire E&M type signaling. Transmission and signaling interface options available are described in Part 68 of the FCC Rules and Regulations. This option provides the E&M type signaling with the facility.

(2) A Type III tie line termination provides the customer with a four wire transmission interface and includes either two wire or four wire E&M type signaling. Transmission and signaling options available are described in Part 68 of the FCC Rules and Regulations. This option provides the E&M signaling with the facility.

---

FACILITIES FOR INTERSTATE ACCESS

---

5. SPECIAL ACCESS (Cont'd)

5.3 Description of Terminating Options (Cont'd)

5.3.3 Program Audio #

(A) 200 to 3500 Hz

Provides standard program audio interface levels and impedance matching to two wire network facilities.

(B) 100 to 5000 Hz, 50 to 8000 Hz, and 50 to 15000 Hz

Provides standard program audio interface levels, circuit equalization and impedance matching to two wire network facilities.

5.3.4 Video Digital Transport Service

Video Digital Transport Service TV1-Analog and 45 Mbps service are provided via one signal (combined video and audio). They include a one way or two way transmission of standard 525 lines/60 fields monochrome or NTSC color video signal, and one or two associated 15 kHz audio signals. Additional audio channels are available.

Video Digital Transport Service 270 Mbps is provided via one noncompressed video signal complying with SMPTE259M. For 270 Mbps, audio is offered as an option in increments of two stereo channels.

# Service availability limited. Refer to # footnote on Page 5-22.

---

---

FACILITIES FOR INTERSTATE ACCESS

---

5. SPECIAL ACCESS (Cont'd)

5.3 Description of Terminating Options (Cont'd)

5.3.6 High Capacity Digital

(A) High Capacity Digital DS1\*

Provides a High Capacity Digital DS1 Special Access interface for use in providing simultaneous two way transmission of isochronous bipolar serial data signals at the rate of 1.544 Mbps.

(B) FiberConnect Service

Provides a High Capacity Digital Special Access interface for use in providing simultaneous two way transmission of isochronous bipolar serial data. The Telephone Company will provide an electrical interface. The electrical interface provides four (4) electrical channels at 1.544 Mbps each. Service will be provided on a one for one protected basis only.

(C) High Capacity Digital DS3\*

Provides a High Capacity Digital DS3 Special Access interface for use in providing simultaneous two way transmission of isochronous bipolar serial data signals at the rate of 44.736 Mbps. The Telephone Company will provide either an interface with Telephone Company electronics (electrical) or an interface without Telephone Company electronics (optical) as specified by the customer. EIS is not available with DS3 services provided with an optical interface. Ordering conditions are set forth in 3.1.1(F).

\* High Capacity DS1 and DS3 services may be provided between service areas shown under **5.2.7(H)**, where facilities and conditions permit.

---

FACILITIES FOR INTERSTATE ACCESS

---

5. SPECIAL ACCESS (Cont'd)

5.3 Description of Terminating Options (Cont'd)

5.3.6 High Capacity Digital (Cont'd)

(D) High Capacity Digital E1

Provides a High Capacity Digital E1 Special Access interface for use in providing simultaneous two-way transmission of isochronous bipolar serial data signals at the rate of 2.048 Mbps and is only provided with an electrical interface. Before confirming the ASR for E1 service, the Telephone Company will verify the availability of fiber optic facilities at the CDL. Where suitable fiber optic facilities do not exist, customers may request the Telephone Company to provide such facilities in accordance with the Special Construction provisions set forth in Section 3.1.3 preceding.

5.3.7 Digital Data Service (DDS)

Provides DDS Special Access interface for use in providing simultaneous two way transmission of sequential bipolar data signals at transmission speeds of 2.4 Kbps, 4.8 Kbps, 9.6 Kbps, 19.2 Kbps, 56 Kbps or 64 Kbps.

---

## FACILITIES FOR INTERSTATE ACCESS

---

### 5. SPECIAL ACCESS (Cont'd)

#### 5.4 Description of Supplemental Features

Supplemental Features are items which can be added to a Special Access service to provide enhanced capabilities or improve its utility. References to specific uses or Special Access types indicate the most effective use for each Supplemental Feature. Customer use for other purposes or with other Special Access types is limited only to the extent that such use must not harm the network. Further, the Telephone Company does not guarantee functional operation of Supplemental Features for these alternate applications.

Listed below are the Supplemental Features that are offered under this Guide.

##### 5.4.1 Bridging

Bridging is the function of connecting three or more CDLs in a multipoint arrangement. Listed below are those bridging services offered under this Guide.

##### (A) MultiPoint Data Bridging

This feature provides the capability to derive a multipoint data circuit from a single facility and is normally provided on Voiceband facilities provided for transmission of data signals. This function is provided on a per port basis. Polled multipoint data circuits are a typical application of this feature.

##### (B) Voice Conference Bridging

Bridging arrangement to connect multiple Voiceband facilities in order that a voice frequency input signal from any location will be reproduced at the output of all other circuit locations. This function is provided on a per port basis.

##### (C) Alarm Distribution Bridging

Provides polling type bridging capabilities, band splitting filters and conversion of four wire common terminations up to a capacity of 40 two wire terminations. This function is offered as two tariff elements. The first element provides all shelving and common equipment for a capacity of 40 two wire terminations. The second element provides a two wire port. One common equipment rate element will apply to accommodate up to 40 two wire terminations. One two wire port charge will apply to each two wire Special Access Line terminated in the bridge.

---

FACILITIES FOR INTERSTATE ACCESS

---

5. SPECIAL ACCESS (Cont'd)

5.4 Description of Supplemental Features (Cont'd)

5.4.1 Bridging (Cont'd)

(D) Program Audio Bridging #

An arrangement to provide multiple channel outputs from a single Program Audio or Voiceband facility. This arrangement is provided and rated on a per port basis.

(E) DDS Bridging

Provides for a multi junction unit (MJU) arrangement to bridge 2.4 kbps, 4.8 kbps, 9.6 kbps, 19.2 kbps, 56 or 64 kbps DDS facilities. Different speeds cannot be mixed on the same bridge. This function is provided on a per port basis.

5.4.2 Conditioning Arrangements Data

Data conditioning, when utilized in conjunction with effective four wire Voiceband transmission facilities, improves the characteristics of these facilities. These improved characteristics are not represented to apply to the entire end to end facility of the customer, but only to that portion of the facility provided by the Telephone Company.

There are three types of data conditioning: Type C, Type C Improved and Type DA. Type C and Type C Improved conditioning control attenuation distortion and envelope delay distortion. Type DA controls the signal to C notched noise ratio and intermodulation distortion. Type C and Type DA conditioning may be combined on the same circuit. Type C Improved and Type DA conditioning may be combined on the same circuit.

Data conditioning is charged for on a per Special Access line basis. The parameters listed for each type of data conditioning apply from two or more CDLs located within the Telephone Company serving area. Conditioning parameters apply to each end of a two point circuit. For multipoint circuits, the conditioning parameters apply from any CDL to either the point of interface at another CDL or the first Telephone Company bridging point depending on the circuit configuration. These parameters are not applicable to High Capacity points of interface, because there is no voice frequency test access point. In these instances the data conditioning parameters apply to the last telephone company voice frequency test access point before the High Capacity point of interface.

# Service availability limited. Refer to # footnote on Page 5-22.

---

FACILITIES FOR INTERSTATE ACCESS

---

5. SPECIAL ACCESS (Cont'd)

5.4 Description of Supplemental Features (Cont'd)

5.4.2 Conditioning Arrangements Data (Cont'd)

(A) Type C

Type C conditioning of Voiceband facilities provides a facility with the following transmission parameters enhanced to meet the values specified for Type C conditioning in Section 7000 of the GTE Technical Interface Reference Manual in addition to the standard parameters for Voiceband circuits.

(1) Attenuation distortion with reference to 1004 Hz.

(2) Envelope delay distortion.

(B) Type C Improved

Type C Improved conditioning of Voiceband facilities provides a facility with the following transmission parameters enhanced to meet the values specified for Type C conditioning in Section 7000 of the GTE Technical Interface Reference Manual in addition to the standard parameters for Voiceband circuits.

(1) Improved attenuation distortion with reference to 1004 Hz.

(2) Improved envelope delay distortion.

The customer may choose to order Improved Attenuation Distortion or Improved Envelope Delay Distortion or both configurations. The rates specified for Type C Improved conditioning, Section 5.7.2(B), will apply regardless of the configuration specified.

(C) Type DA

Type DA conditioning of Voiceband facilities provides a facility with the following transmission parameter enhanced to meet the values specified for Type DA conditioning in Section 7000 of the GTE Technical Interface Reference Manual in addition to the standard parameters for voiceband circuits.

(1) Signal to C notched noise ratio.

(2) Nonlinear signal to second order distortion.

(3) Nonlinear signal to third order distortion.



---

FACILITIES FOR INTERSTATE ACCESS

---

5. SPECIAL ACCESS (Cont'd)

5.4 Description of Supplemental Features (Cont'd)

5.4.3 Conditioning Program Audio #

(A) Stereo Conditioning

Provides the option of two radio program facilities which are identical in all transmission characteristics. Two Program Audio facilities are required to provide this Supplemental Feature. This feature is normally used only with Program Audio 50 to 15000 Hz facilities. Stereo Conditioning is charged on a per occurrence basis.

(B) Zero Loss

Conditioning of Program Audio facilities to provide zero loss at 1000 Hz test frequency. Zero Loss is charged on a per Special Access Line basis.

# Service availability limited. Refer to # footnote on Page 5-22.

---

---

## FACILITIES FOR INTERSTATE ACCESS

---

### 5. SPECIAL ACCESS (Cont'd)

#### 5.4 Description of Supplemental Features (Cont'd)

##### 5.4.4 Signaling Arrangements

Signaling arrangements, when furnished with Voiceband transmission facilities, enable the facilities to accommodate standard telecommunications signaling protocols. Signaling arrangements provide for the conversion of one signaling method to another signaling method and/or extension of a signaling method at customer and Telephone Company interfaces and enables the transmission facilities to accommodate signaling transmission. Signaling arrangements are available with Voiceband transmission facilities to enable transmission of requested signaling formats. The third and fourth protocol characters of the Network Channel Interface (NCI) and Secondary Network Channel Interface (SEC NCI) codes as indicated on the customer's order, reflect signaling activity. Typical protocol characters contained in the NCI or SEC NCI codes that designate signaling arrangements are: AB, AC, DS, DX, DY, EA, EB, EC, EX, GO, GS, LA, LB, LC, LO, LR, LS, NO, RV and SF.

The customer identified NCI and SEC NCI codes will be considered the customer's request for signaling. The Telephone Company will endeavor to provide the specific signaling protocols requested by the customer. In those cases where facilities and equipment are not available to meet the customer's specific requests, the Telephone Company will provide the customer acceptable alternate protocols. Sections 3300, 6000 and 7000 of the GTE Technical Interface Reference Manual provide detailed technical descriptions of the signaling protocols normally available with each service offering. To properly provision SF signaling, when associated signaling code, is DS (PCM), additional information of SF requirements (loop signaling type DX/E&M or ringdown) must accompany the customer's order.

Signaling arrangement charges apply whenever interfaces at the customer premises or at the customer's Telephone Company serving wire center require a signaling arrangement other than those provided with the Terminating Options in 5.3.2 preceding. Signaling Arrangements will be charged on a per SAL basis. Specifically, a signaling charge applies if the signaling protocol characters in the NCI and the SEC NCI fields are different and include one of the following codes: RV, EX, SF, DX, DY, DS, AB.

---

FACILITIES FOR INTERSTATE ACCESS

---

5. SPECIAL ACCESS (Cont'd)

5.4 Description of Supplemental Features (Cont'd)

5.4.4 Signaling Arrangements (Cont'd)

For the above conditions, one additional signaling charge applies for each additional leg of multipoint circuit. When a Multiplexing Arrangement is ordered that converts a single higher capacity or bandwidth circuit into several lower Voiceband circuits, the Voiceband Signaling Arrangements are provided as part of the Multiplexing Arrangement, and no additional Signaling Arrangement charges will apply.

A signaling charge applies in addition to any other applicable signaling charge when loop range extension equipment is required. The Telephone Company will obtain customer approval for signaling range extension equipment.

Listed below are the Signaling Arrangements offered under this Guide:

- (A) Loop Signaling Range Extension An arrangement to extend the metallic resistance limitations of loop type signaling.
- (B) Conversion of Loop or E&M Signaling to SF An arrangement to convert loop or E&M signaling to the single frequency signaling format.
- (C) E&M to DX Signaling Conversion Conversion of E&M signaling to the DX signaling format.
- (D) E&M to Loop Signaling Conversion Conversion of E&M signaling format to the loop type signaling.
- (E) Loop or E&M to PCM Signaling Conversion of loop or E&M signaling to the digital (PCM) signaling format.
- (F) Automatic Ringdown Signaling (ARD) A signaling arrangement on a two point Special Access which converts loop seizure at one end of the facility into ringing signal at the opposite end.

---

FACILITIES FOR INTERSTATE ACCESS

---

5. SPECIAL ACCESS (Cont'd)

5.4 Description of Supplemental Features (Cont'd)

5.4.5 Echo Control

(A) Echo Suppression

An arrangement provided at the customer's request to attenuate reflected speech energy on a four wire facility. This conditioning is generally required on circuits with long propagation delay. Echo suppression is charged on a per Special Access circuit basis. Echo suppression is an obsolete service offering and is applicable only to those circuits equipped with echo suppression prior to January 1, 1987. Any service rearrangements or order activity on the circuits equipped with echo suppression may require a change to echo canceller as described in 5.4.5(B) following.

(B) Echo Canceller

An arrangement provided at the customer's request to cancel reflected speech energy on a four-wire facility. This conditioning is generally required on circuits with long propagation delay. Echo canceller is charged on a per Special Access circuit basis.

5.4.6 Improved Return Loss

Improved Return Loss provides for increased echo return and singing return parameters of an effective two wire channel. This optional feature is available with certain Voiceband services at a two wire point of termination when the transmission interface is four wire at one CDL and two wire at the other CDL. Placement of Telephone Company equipment may be required at the customer's premises with the two wire point of termination.

Improved Return Loss rates and charges will apply on a per Special Access Line basis at the rates specified in 5.7.2(B) following. Technical parameters and the applicable Voiceband services are specified in Section 7000 of the GTE Technical Interface Reference Manual.

5.5.7 Voiceband Facility Switching Arrangement

An arrangement to provide switching between two Voiceband Special Access Services. This arrangement may require a Voiceband control circuit to control the switching arrangement at an additional charge.

---

## FACILITIES FOR INTERSTATE ACCESS

---

### 5. SPECIAL ACCESS (Cont'd)

#### 5.4 Description of Supplemental Features (Cont'd)

##### 5.4.8 Automatic Protection Switch

Consists of special switching equipment placed at both ends of a duplicate DS1 facility (i.e., DS1, High Capacity Circuit) for automatic switching to the duplicate (standby) facility in the event the active facility is inoperative.

Duplicate facilities may terminate at a serving wire center, a CDL or both. The option provided under this Guide only includes the APS(s) located at a serving wire center(s). When the duplicate facility terminates at a CDL, the customer will be responsible for providing the associated APS and ensuring it is compatible with the Telephone Company provided switch if appropriate.

The duplicate facilities are not a part of this supplemental feature.

##### 5.4.9 Improved Termination Option

Improved Termination provides for a fixed 600 ohm impedance, an increased range of transmission levels, and simplex reversal (when applicable) on an effective four wire channel. This optional feature is available with most Voiceband services with a four wire point of termination. Telephone Company equipment is required at the customer's premises where this option is ordered.

The Improved Termination option will be ordered and rates and charges, as set forth in 5.7.2(B) following, will apply on a per SAL basis. Technical parameters and the applicable Voiceband services are specified in Section 7000 of the GTE Technical Interface Reference Manual.

---

FACILITIES FOR INTERSTATE ACCESS

---

5. SPECIAL ACCESS (Cont'd)

5.4 Description of Supplemental Features (Cont'd)

5.4.10 Improved Equal Level Echo Path Loss Option ELEPL 2

This option provides improved echo control parameters for an effective two wire channel at a four wire point of termination. Placement of Telephone Company equipment may be required at the customer's premises with the two wire point of termination.

The term "Equal Level Echo Path Loss" (ELEPL) represents the measure of Echo Path Loss (EPL) at a four wire interface which is corrected by the difference between the send and receive Transmission Level Point (TLP), i.e.,  $ELEPL = EPL - TLP(\text{send}) + TLP(\text{receive})$ .

Improved ELEPL rates and charges will apply on a per SAL basis at the rates set forth in 5.7.2(B) following. Technical parameters are specified in Section 7000 of the GTE Technical Interface Reference Manual.

5.4.11 Digital Data Service Secondary Channel

This feature is offered on an optional basis to customers of Digital Data Service. It is a separate, slower speed digital channel that operates in parallel with the companion Digital Data Service primary channel. The secondary channel allows for remote control and testing of the network and peripheral devices without taking the network out of service and without lowering the speed of the primary Digital Data Service channel. This feature is not available with 19.2 Kbps or 64 Kbps Digital Data Service.

Rates and charges as set forth in 5.7.5(C) will apply on a per Digital Data Service SAL basis (each end of a two point circuit and all ends of a multi point circuit).

The provisioning of this option to existing Digital Data Service requires the discontinuance of the existing Digital Data Service and the establishment of new Digital Data Service for both ends of a two point circuit and all ends of a multi point circuit. The nonrecurring charges associated with the installation of Digital Data Service will apply.

---

---

FACILITIES FOR INTERSTATE ACCESS

---

5. SPECIAL ACCESS (Cont'd)

5.5 Description of Multiplexing Arrangements

Multiplexing Arrangements provide the function to convert a single higher capacity or bandwidth circuit for bulk transport to several lower capacity or bandwidth circuits. Cascading multiplexing occurs when a high capacity analog or digital channel is de multiplexed to provide channels with a lesser capacity and one of the lesser capacity channels is further de multiplexed. For example, a DS3 may be de multiplexed to twenty-eight (28) DS1 facilities and then the DS1 facilities may be further de multiplexed to twenty-four (24) Voiceband channels.

When cascading multiplexing is performed in the same or different Hub Wire Center, a charge for the additional multiplexing unit will also apply. When cascading multiplexing is performed at a different Hub Wire Center, Special Transport will also apply between the involved Hub Wire Centers.

Listed below are the multiplexing arrangements offered under this Guide.

(A) DS1 to Voice

An arrangement that multiplexes twenty four voice grade circuits to a single DS1 digital circuit at a rate of 1.544 Mbps, or multiplexes a single DS1 digital circuit at a rate of 1.544 Mbps to twenty four voice grade circuits. If this DS1 terminates in a DDS hub, a channel(s) of the DS1 can be used to provide DDS; however, DDS service stops at the DS1 interface. Multiple channels may be required to provide individual Program Audio Channels.

Up to 16 channels of this DS1 can be used for Direct Digital Service (DDS like service) with the assurance that circuit performance parameters will be met. If more than 16 channels are used for DDS like service, the performance parameters for the DS1 and all circuits riding the DS1 will not be guaranteed.

FT1 can be used in conjunction with DS1 to Voice Multiplexing in groupings of  $N \times 56$  Kbps or  $N \times 64$  Kbps where  $N = 2, 4$  or  $6$ , to a single DS1 digital circuit at a rate of 1.544 Mbps.

---

FACILITIES FOR INTERSTATE ACCESS

---

5. SPECIAL ACCESS (Cont'd)

5.5 Description of Multiplexing Arrangements (Cont'd)

(B) DS3 to DS1 and/or E1

An arrangement that multiplexes, at a Hub Wire Center, twenty-eight DS1 digital circuits to a single DS3 digital circuit at a rate of 44.736 Mbps, or multiplexes a single DS3 digital circuit at a rate of 44.736 Mbps to twenty-eight DS1 digital circuits.

In addition, where E1 service is available, this arrangement is capable of multiplexing:

- (1) twenty-one E1 digital circuits
- (2) four DS1 and eighteen E1 digital circuits
- (3) eight DS1 and fifteen E1 digital circuits
- (4) twelve DS1 and twelve E1 digital circuits
- (5) sixteen DS1 and nine E1 digital circuits
- (6) twenty DS1 and six E1 digital circuits
- (7) twenty-four DS1 and three E1 digital circuits

to a single DS3 digital circuit at a rate of 44.736 Mbps, or a single DS3 digital circuit at a rate of 44.736 Mbps to one of the combinations set forth in (1) through (7) above.

(C) Digital Data Carrier Multiplexer

An arrangement that multiplexes a single DS1 1.544 Mbps digital circuit to twenty three DSO digital ports for connection to either a subrate data multiplexer as described in 5.5(K) following or 56 Kbps digital circuits.

(D) Digital Data Subrate Multiplexer

Used with cascading multiplexing, the Digital Data Subrate Multiplexer is an arrangement that multiplexes the following quantities of subrate digital data circuits into a single DSO digital port: 1) twenty 2.4 Kbps, 2) ten 4.8 Kbps or 3) five 9.6 Kbps. In turn, the DSO digital port is then multiplexed to a single DS1 digital circuit using the Digital Data Carrier Multiplexer described in 5.5(J) preceding.



---

FACILITIES FOR INTERSTATE ACCESS

---

5. SPECIAL ACCESS (Cont'd)

5.5 Description of Multiplexing Arrangements (Cont'd)

(E) DS3 Premises Multiplexer

- (a) At the option of the customer, a High Capacity Digital DS3 Service may be ordered with a DS3 to DS1 multiplexer located at a CDL (DS3 Premises Multiplexer). The DS3 Premises Multiplexer will be provided by the Telephone Company and will be located within the Telephone Company's communications facilities (i.e., within the Telephone Company's network) and on the Telephone Company's side of the Point of Termination as defined in Section 2.6 preceding. The DS3 Premises Multiplexer allows up to twenty-eight (28) DS1 circuits to be derived from the High Capacity Digital DS3 facility. The High Capacity Digital DS1 circuits derived from the DS3 Premises Multiplexer must terminate at the premises and will extend beyond the DS3 Premises Multiplexer to a Point of Termination (as defined in Section 2.6 preceding). The DS3 Premises Multiplexer is not available with High Capacity Digital DS3 Service provided with an optical interface. The Telephone Company will commence billing rate for the High Capacity Digital DS3 Service and DS3 Premises Multiplexer on the Service Date for the multiplexed DS3 facility. Individual High Capacity Digital DS1 circuits derived from the multiplexed High Capacity Digital DS3 facility may only be ordered and installed subsequent to the installation of the facility to the DS3 Premises Multiplexer.
- (b) The DS3 Premises Multiplexer arrangement cannot be located at a Physical or Virtual EIS arrangement pursuant to Section 17 following.
- (c) When a High Capacity Digital DS3 Service is multiplexed at a CDL, such configuration is not a Telephone Company Hub for purposes of administering the terms and conditions of this Guide.
- (d) The DS3 Premises Multiplexer multiplexing arrangement may not be used on a High Capacity Digital DS3 Service that is derived from a higher capacity service at the same CDL (e.g., a High Capacity Digital DS3 Service that is derived at that premises from an OC12 level service or node).
- (e) The rates and charges for the DS3 Premises Multiplexer multiplexing arrangement as set forth in Section 5.7.6 following apply in addition to the applicable DS3 SAL rates and charges at that same CDL. High Capacity Digital DS1 SAL rates and charges do not apply at the CDL where such High Capacity Digital DS1 circuits are derived from a DS3 Premises Multiplexer.
- (f) A Message Station Equipment Recovery Charge as set forth in Section 5.6.10 following may also apply.

---

FACILITIES FOR INTERSTATE ACCESS

---

5. SPECIAL ACCESS (Cont'd)

5.6 Rate Regulations

This section contains specific regulations governing the rates and charges that apply for Special Access Service.

Competitive Counties and Non-Competitive Counties are defined in Section 2.6 and the wire centers within such counties are listed in Section 19.2. In wire centers within a Competitive County, monthly rates and nonrecurring charges for Special Access rate elements are arranged in price bands. The price band for each serving wire center within a Competitive County is specified in Section 19.2 following.

For Interexchange Carrier Point of Presence Special Access lines, Special Transport and Optional Features and Functions, including Multiplexing Arrangements, Price Band rates and charges apply regardless of whether the county is Competitive or Non-Competitive. In cases where Special Transport crosses price bands, the charge for the higher numbered price band applies.

For End User Special Access Lines, the application of "Price Cap" or "Price Band" is dependent upon whether or not the serving wire center is located in a Competitive County. If the End User Special Access Line is in a Competitive County, Price Band rates and charges apply. If the End User Special Access Line is in a Non-Competitive County, Price Cap rates and charges apply. Any rate element that is not labeled as either Price Band or Price Cap will apply in both Competitive and Non-Competitive Counties.

5.6.1 Types of Rates and Charges

There are five types of rates and charges. These are monthly rates, weekly rates, daily rates, time sensitive rates and nonrecurring charges. The rates and charges are described as follows:

(A) Monthly Rates

Monthly rates are recurring charges that apply each month or fraction thereof that a Special Access Service is provided. For billing purposes, each month is considered to have 30 days.

(B) Daily Rates

Daily rates are recurring charges that apply to each 24 hour period or fraction thereof that a part time Program Audio or Video Digital Transport Special Access Service is provided. When part time Program Audio service is provided for ten or more consecutive days it will be treated as a full time service and monthly rates will apply. In no event will the charges for continuous part time Program Audio or Video Digital Transport service exceed the amount that would be charged in the same billing time period for full time service.

---

FACILITIES FOR INTERSTATE ACCESS

---

5. SPECIAL ACCESS (Cont'd)

5.6 Rate Regulations (Cont'd)

5.6.1 Types of Rates and Charges (Cont'd)

(C) Weekly Rates

Weekly rates are charges that apply to each seven day usage period that a Video Digital Transport Service is provided, as requested by the customer. In no event will these part-time charges for continuous weekly usage, within the billing period, exceed the monthly rate.

(D) Time Sensitive Rates

Time sensitive rates are charges that are applied either on an hourly basis or on a fraction of an hour basis.

(1) Hourly Rates

Hourly rates are recurring charges that apply to each 60 minute period, or fraction thereof, that a part-time Video Digital Transport Special Access Service is provided. The billing period commences when the video circuit is available for the customer's use and ceases when the customer's use is discontinued. There is a maximum monthly charge that may be assessed to any Temporary Video Digital Transport - Type I Special Access Service. The maximum charge during any 30 day period will be that amount equal to 100 hours of use.

For Video Digital Transport Service - Type II 270 Mbps, an optional feature, Absolute Connect<sup>sm</sup> - Codec Conversion is offered on an hourly basis. In no event will the charges for continuous hourly usage exceed the daily rate.

(2) Fractional Hour Rates

Fractional hour rates are recurring charges that are applied for increments of time less than a 60 minute period, and are associated with Video Digital Transport Service - Type II transmission. For Video Digital Transport - Up to 45 Mbps, these charges are applied for a minimum initial period of 5 minutes or fraction thereof. Thereafter, each continuous minute of connection over the initial 5 minutes is charged at the additional minute rate under Section 5.7.4(B)(1)(a). This incremental rate structure will be applied for continuous usage up to the point where the next charge level (daily rate) is lower than the charges calculated for the fractional hour usage. Where the daily rate is lower than the resulting incremental usage rates, the daily rate will be applied.

---

FACILITIES FOR INTERSTATE ACCESS

---

5. SPECIAL ACCESS (Cont'd)

5.6 Rate Regulations (Cont'd)

5.6.1 Types of Rates and Charges (Cont'd)

(E) Zone Density Plan - Special Access

The Zone Density Rate Plan is a pricing unit for rating High Capacity Special Access DS1 and DS3 Services. The Zone Density Plan assigns every Serving Wire Center (SWC) to one of three zones. The Serving Wire Center, CLLI Codes and zones are listed in Section 19. Zone 1 SWCs have the highest density of services, Zone 2 SWCs have intermediate density of services and Zone 3 SWCs have the lowest density of services. Zone Density Plan rates become effective in a study area concurrent with the first operational Expanded Interconnection Service (EIS), as described in Section 17, in that study area.

The Zone Density Plan for Special Access is applicable only to DS1 (1.544 Mbps) and DS3 (44.736 Mbps) services.

(1) Zone Density rates are set forth in Sections:

5.7.6 - Multiplexing Arrangements

5.7.7 - High Capacity Digital DS1

5.7.10 - High Capacity Digital DS3 Three System

5.7.11 - High Capacity Digital DS3 Unlimited System

5.7.12 - High Capacity Digital DS3 Individual System

5.7.13 - High Capacity Digital DS3 Group System\*

5.7.14 - High Capacity Digital DS3 Transport and DS3 Banded Transport

5.7.15 - DS3 Multiplexer Cross Connect Arrangement

5.7.18 – RESERVED FOR FUTURE USE

5.8.5 - Clear Channel Capability

(2) Special Access Lines and Transport Terminations are rated according to the Zone of the SWC where they are located.

(3) Special Transport provisioned between SWCs in two different zones will be rated at the higher zone rate.

(4) Zone Density Plan for special access provided by more than one telephone company will be provided as set forth in Section 2.7.4(B).

---

FACILITIES FOR INTERSTATE ACCESS

---

5. SPECIAL ACCESS (Cont'd)

5.6 Rate Regulations (Cont'd)

5.6.1 Types of Rates and Charges (Cont'd)

(F) Nonrecurring Charges

Nonrecurring charges are one time charges that apply for specific work activity, (i.e., installation of service or change to an existing service). The types of nonrecurring charges that apply for Special Access Service are those listed below.

(1) Design Change Charge

The customer may request a design change to the service ordered. A design change is any change to a pending ASR for Special Access Service which requires engineering review. Design changes include such things as the addition or deletion of supplemental features or changes in the terminating options. Design changes do not include a change of IC CDL or end user premises when its serving wire center changes or Special Access service type (e.g., 2 wire to 4 wire Voiceband or Voiceband to Program Audio, etc.). Changes of this nature will require the issuance of a new ASR and the cancellation of the original ASR. The cancellation charges apply as set forth in 3.2.6 preceding.

The Telephone Company will review the requested change, notify the customer whether the change can be accommodated and specify if a new service date is required. If the customer authorizes the Telephone Company to proceed with the design change, a Design Change Charge will apply.

The Design Change Charge, as set forth in 5.7.1 following, will apply on a per ASR per occurrence basis, for each ASR requiring a design change.

If a change of service date is required, the Service Date Change Charge as set forth in Section 3 preceding will also apply.

---

FACILITIES FOR INTERSTATE ACCESS

---

5. SPECIAL ACCESS (Cont'd)

5.6 Rate Regulations (Cont'd)

5.6.1 Types of Rates and Charges (Cont'd)

(F) Nonrecurring Charges (Cont'd)

(2) Installation of Supplemental Features and Multiplexing Arrangements

Nonrecurring charges apply for the installation of some supplemental features and multiplexing arrangements available with Special Access service. The charge applies whether the feature or multiplexing arrangement is installed coincident with the initial installation of service or at any time subsequent to the installation of service.

For additions of supplemental features without an NRC, a charge equal to a SAL NRC will apply. Only one such charge per service, per order will apply.

(3) Installation of FiberConnect, DS3, E1 and DS1 Special Access Lines

(a) FiberConnect Service Optional Payment Plan (OPP)

Customers subscribing to the FiberConnect OPP, at rates set forth in 5.7.8 following, will be assessed a nonrecurring charge (NRC). The NRC applies to the termination of each FiberConnect OPP SAL (which consists of four (4) DS1 equivalent channels on a single fiber optic transmission system). The customer must indicate on the ASR the Network Channel Interface (NCI) code for electrical termination.

When the customer purchases a FiberConnect OPP in a point-to-point configuration (i.e., a 2-point, non-multiplexed configuration that connects two (2) CDLs), the SALs at each CDL must be FiberConnect OPP SALs.

The NRC for installation of a FiberConnect SAL, as set forth in 5.7.8(A) following, will apply to existing FiberConnect OPP customers for changes and other service rearrangements as set forth in 5.6.1(F)(6) following.

Where suitable fiber optical facilities are not available, customers may request the Telephone Company to provide such facilities in accordance with the Special Construction provisions in Section 3.1.3 preceding.

---

FACILITIES FOR INTERSTATE ACCESS

---

5. SPECIAL ACCESS (Cont'd)

5.6 Rate Regulations (Cont'd)

5.6.1 Types of Rates and Charges (Cont'd)

(F) Nonrecurring Charges (Cont'd)

(3) Installation of FiberConnect, DS3, E1 and DS1 Special Access Lines  
(Cont'd)

(b) DS3 Arrangements

There are two levels of charges for the installation of 3 System DS3 and Unlimited System DS3 SALs as set forth in 5.7.10 and 5.7.11. The "First System" charge is assessed for the first DS3 SAL ordered by a customer. When the same customer requests additional DS3 SALs, to be installed between the same locations, the "Additional System" charge will apply for each SAL ordered (maximum of two Additional System SALs in a 3 System DS3 and no maximum in an Unlimited System DS3).

For Individual DS3s, the charge for installation will apply at the same rate per DS3 SAL, and for Group System DS3s\*, the charge applies per Group System\* SAL.

(c) E1 Arrangements

Customers subscribing to E1 service will be assessed a nonrecurring charge and monthly rates as set forth in 5.7.19. Suitable fiber optic facilities must be available at the CDL with no physical change in the existing configuration at the CDL. If this condition is not met, the customer will be advised that the ASR will not be processed. The customer may then cancel the ASR without charge, or may request the Telephone Company to provide such facilities in accordance with the Special Construction provisions set forth in Section 3.1.3 preceding.

---

FACILITIES FOR INTERSTATE ACCESS

---

5. SPECIAL ACCESS (Cont'd)

5.6 Rate Regulations (Cont'd)

5.6.1 Types of Rates and Charges (Cont'd)

(F) Nonrecurring Charges (Cont'd)

(3) Installation of FiberConnect, DS3, E1 and DS1 Special Access Lines  
(Cont'd)

(f) DS1 Standard Arrangements

Customers subscribing to DS1 Standard Arrangements, at rates set forth in 5.7.7(A) following, will be assessed a nonrecurring charge. The NRC for DS1 Standard Arrangements will be assessed per SAL.

The regulations in Section 5.6.1(F)(6) following will apply to existing DS1 Standard Arrangements customers when required for changes and other service arrangements.

(4) Installation of Video Digital Transport Service

(a) Temporary Video Digital Transport Service - Type I

There are two nonrecurring charges set forth in Section 5.7.4(A) for the installation of Temporary Video Digital Transport Service - Type I. One nonrecurring charge will be assessed when permanent in place facilities are used to provide the service, and a different nonrecurring charge will be assessed when nonpermanent portable facilities are used to provide the service.

If the customer orders Temporary Video Digital Transport Service - Type I with broadcast intervals of 5 nonconsecutive days or less within a 7 day period, the Telephone Company may, if facilities are available, leave the facilities in place, in which case the associated installation nonrecurring charges would not apply.

(b) Video Digital Transport Service - Type II

Initially, an ASR is required from the customer to establish an account for Video Digital Transport Service - Type II, prior to a request for video connection. Once the account has been established, the customer may request video connection where facilities are available, by using their remote terminal or contacting the Telephone Company's Video Transport Contact Center. The customer will input or provide the originating and terminating location(s) for the video connection and the expected duration of the transmission.



---

FACILITIES FOR INTERSTATE ACCESS

---

5. SPECIAL ACCESS (Cont'd)

5.6 Rate Regulations (Cont'd)

5.6.1 Types of Rates and Charges (Cont'd)

(F) Nonrecurring Charges (Cont'd)

(5) Installation of Voicegrade, Program Audio # and Digital Data Service Special Access Lines

The nonrecurring charge associated with the installation of voicegrade SALs is specified in 5.7.2(A). The nonrecurring charge associated with the installation of program audio SALs is specified in 5.7.3(A) through (D). This charge will not apply to part-time Program Audio SALs which are left in place and reused.

The nonrecurring charge associated with the installation of DDS SAL facilities and the provisioning of the customer specified transmission speed of 2.4, 4.8, 9.6, 19.2, 56 or 64 Kbps is specified in Section 5.7.5(A).

(6) Service Rearrangements

Service rearrangements are changes to existing (installed) services which may be administrative only in nature or involve an actual physical change to the service. Changes to pending orders are in 3.2.2.

Changes in the type of service will be treated as a discontinuance of the service and an installation of a new service.

Changes from a point-to-point High Capacity Digital DS3 Service to a point-to-point High Capacity Digital DS3 Service provided with the DS3 Premises Multiplexer multiplexing arrangement, as set forth in Section 5.5(L) preceding, are treated as a discontinuance of the service and an installation of a new service.

Changes from a High Capacity Digital DS3 Service multiplexed at a Telephone Company Hub to a point-to-point High Capacity Digital DS3 Service provided with the DS3 Premises Multiplexer multiplexing arrangement, as set forth in Section 5.5(L) preceding, are treated as a discontinuance of the service and an installation of a new service.

---

---

FACILITIES FOR INTERSTATE ACCESS

---

5. SPECIAL ACCESS (Cont'd)

5.6 Rate Regulations (Cont'd)

5.6.1 Types of Rates and Charges (Cont'd)

(F) Nonrecurring Charges (Cont'd)

(6) Service Rearrangements (Cont'd)

Changes involving the retermination of a Special Access High Capacity Digital DS1 Service from a circuit assignment on a DS3 to DS1 multiplexing arrangement at a Telephone Company Hub to a circuit assignment on a DS3 Premises Multiplexer, as set forth in Section 5.5(L) preceding, are treated as a discontinuance of the service and an installation of a new service.

Changes in the physical location of the point of termination are treated as moves which are described and charged for as in 5.6.4.

Administrative changes will be made without charge(s) to the customer.

Administrative changes are as follows:

- Change in name or ownership or transfer of responsibility from one customer to another, provided there is no interruption of use or relocation of Special Access service.
  - Change of customer or customer's end user premises address when the change of address is not a result of a physical relocation of equipment,
  - Change in billing data (name, address, or contact name or telephone number),
  - Change of customer circuit identification,
  - Change of billing account number,
  - Change of customer test line number,
  - Change of customer or customer's end user contact name or telephone number,
  - Change of agency authorization, and
  - Change in jurisdiction involving no physical changes to the service.
-

---

FACILITIES FOR INTERSTATE ACCESS

---

5. SPECIAL ACCESS (Cont'd)

5.6 Rate Regulations (Cont'd)

5.6.1 Types of Rates and Charges (Cont'd)

(F) Nonrecurring Charges (Cont'd)

(6) Service Rearrangements (Cont'd)

All other service rearrangements will be charged for as follows:

- If the change involves the addition of another termination to an existing two-point or multipoint service, installation charges for each location added will apply.
- If the change involves the addition of supplemental feature or multiplexing arrangement, the installation charge associated with the supplemental feature or multiplexing arrangement will apply. When the supplemental feature or arrangement has no associated nonrecurring charge (or rated at \$.00), one SAL nonrecurring charge for the type of service involved (i.e., voicegrade SAL, DDS SAL, etc.) will be applied to the order.
- If the change involves only changing the type of network interface, with no change in facility, the installation charge associated with each service receiving a network interface change will apply.
- If the change involves changing a two wire service to a four wire service or vice versa, the installation charge for each location changed will apply.
- If the change involves only rollovers or grooming, then no charges will apply. A rollover is the retermination of a segment of a lower capacity special access service onto a higher capacity special access service. The rollover must occur in the wire center where the higher capacity service is multiplexed with no other changes to the lower capacity service being reterminated (i.e., the segment must not require rerouting to connect to the multiplexer of the higher capacity service).

Grooming is the retermination of a lower capacity special access service from one channel in a higher capacity special access service to another channel in the same higher capacity service or to another channel in another higher capacity special access service (i.e., change in connecting facility assignment) in the same wire center, with no other changes to the lower capacity service.

---

FACILITIES FOR INTERSTATE ACCESS

5. SPECIAL ACCESS (Cont'd)

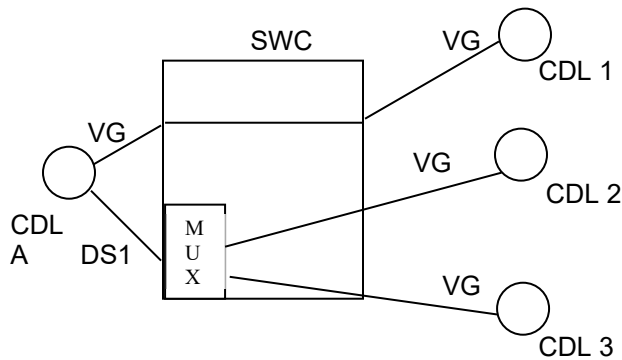
5.6 Rate Regulations (Cont'd)

5.6.1 Types of Rates and Charges (Cont'd)

(F) Nonrecurring Charges (Cont'd)

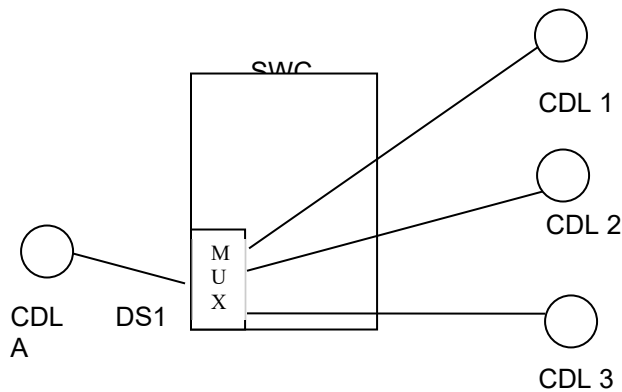
(6) Service Rearrangements (Cont'd)

ROLLOVER - EXAMPLE 1  
Current Configuration



The customer requests that the voiceband circuit (VG) between CDL A and CDL 1 be “rolled over” to the DS1 serving CDL A. No NRCs apply for this request.

ROLLOVER - EXAMPLE 1  
New Configuration



FACILITIES FOR INTERSTATE ACCESS

5. SPECIAL ACCESS (Cont'd)

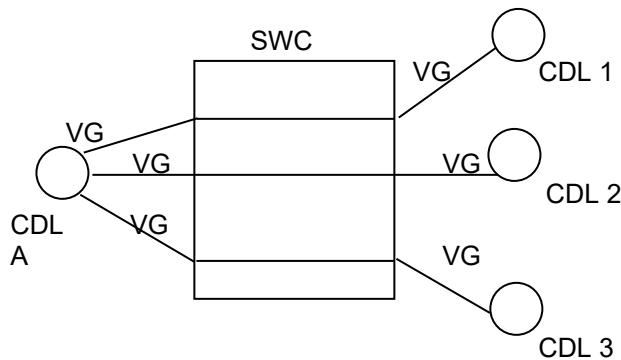
5.6 Rate Regulations (Cont'd)

5.6.1 Types of Rates and Charges (Cont'd)

(F) Nonrecurring Charges (Cont'd)

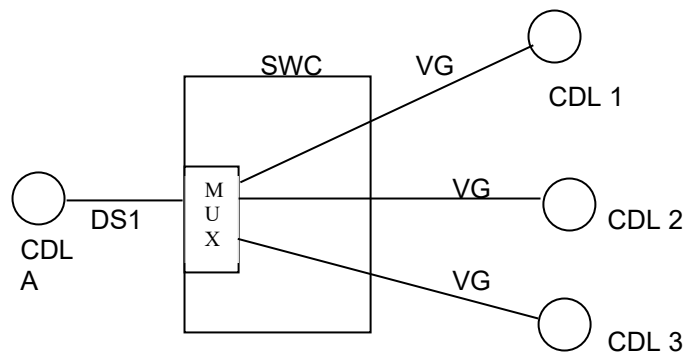
(6) Service Rearrangements (Cont'd)

ROLLOVER - EXAMPLE 2  
Current Configuration



The customer requests the installation of a DS1 between the serving wire center (SWC) and CDL A and a DS1/voice multiplexer in the SWC. The customer also requests that the voiceband circuits serving CDLs 1, 2 and 3 be “rolled over” to the new DS1. All NRCs apply for the installation of the DS1 and multiplexer. No NRCs apply for the voiceband rollovers to the new high capacity circuit.

ROLLOVER - EXAMPLE 2  
New Configuration



FACILITIES FOR INTERSTATE ACCESS

5. SPECIAL ACCESS (Cont'd)

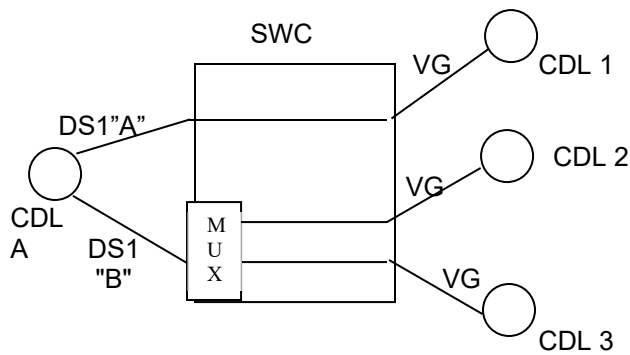
5.6 Rate Regulations (Cont'd)

5.6.1 Types of Rates and Charges (Cont'd)

(F) Nonrecurring Charges (Cont'd)

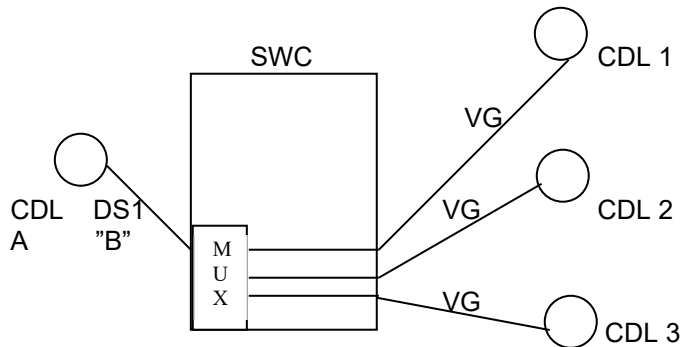
(6) Service Rearrangements (Cont'd)

GROOMING - EXAMPLE 1  
Current Configuration



The customer requests that the voiceband (VG) circuit serving CDL 1 be moved from the DS1 "A" circuit to the DS1 "B" circuit. No NRCs apply for this request.

GROOMING - EXAMPLE 1  
New Configuration



FACILITIES FOR INTERSTATE ACCESS

5. SPECIAL ACCESS (Cont'd)

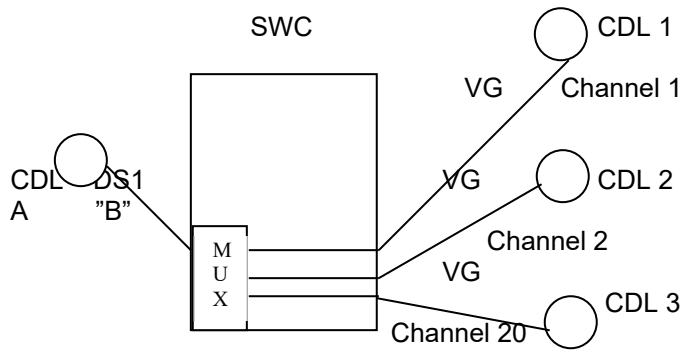
5.6 Rate Regulations (Cont'd)

5.6.1 Types of Rates and Charges (Cont'd)

(F) Nonrecurring Charges (Cont'd)

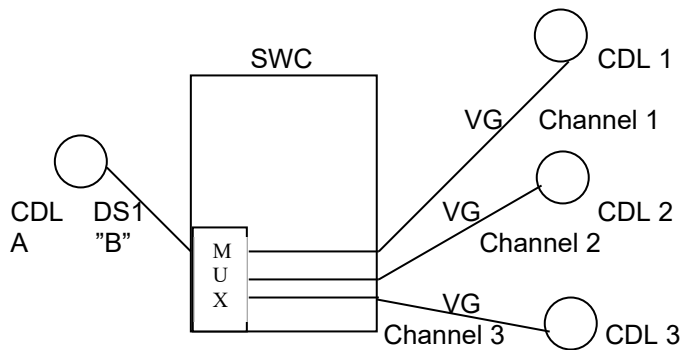
(6) Service Rearrangements (Cont'd)

GROOMING - EXAMPLE 2  
Current Configuration



The customer requests that the voiceband circuit serving CDL 3 be moved from channel 20 in the DS1 serving CDL A to Channel 3 in the same DS1. No NRCs apply for this request.

GROOMING - EXAMPLE 2  
New Configuration



---

FACILITIES FOR INTERSTATE ACCESS

---

5. SPECIAL ACCESS (Cont'd)

5.6 Rate Regulations (Cont'd)

5.6.1 Types of Rates and Charges (Cont'd)

(F) Nonrecurring Charges (Cont'd)

(6) Service Rearrangements (Cont'd)

- If the change involves reterminations other than Rollovers and/or Grooming, all NRCs associated with the installation of the lower capacity service will apply.
- In cases where multiple service rearrangements or an additional termination or a move and a service rearrangement are requested on a single ASR, the total charge will never exceed the full nonrecurring charge for the basic service.

5.6.2 Minimum Periods

Special Access is provided for a specified minimum period. Minimum periods and minimum period charges are described in Section 3 preceding.



---

## FACILITIES FOR INTERSTATE ACCESS

---

### 5. SPECIAL ACCESS (Cont'd)

#### 5.6 Rate Regulations (Cont'd)

##### 5.6.3 Mileage Measurement

The mileage to be used to determine the monthly rate for the Special Transport is calculated on the airline distance between the serving wire centers involved (i.e., CDL serving wire center or Hub Wire Center or WATS Serving Office). Where the calculated miles include a fraction, the value is always rounded up to the next full mile. Where the calculated value is zero, no Special Transport mileage is charged.

When there is a Hub Wire Center involved, the Special Transport mileage will be measured from the Hub Wire Center to the serving wire centers of each of the CDLs connected to the hubbed facilities. Mileage is computed for each section and rates are applied accordingly. However, when a Special Access facility is routed through a Hub Wire Center for purposes other than customer specified such as bridging or multiplexing (e.g. the Telephone Company chooses to so route for test access purposes), rates will be applied only to the distance calculated between the wire centers serving the CDLs.

The rates for the mileage are applied per airline mile. The serving wire center V&H coordinates and the method of calculation are specified in the NECA Tariff FCC No. 4.

##### 5.6.4 Moves

A move involves a change in the physical location of the point of termination of Special Access. A move normally involves an interruption of Special Access for the period required to complete the move. No credit allowance will be granted for that period. Special Construction as set forth in Section 3.1.3 preceding may also be applicable at the different CDL.

A customer may request that Special Access not be interrupted during a move. To comply with that request, it may be necessary to install a duplicate Special Access, and subsequently discontinue the existing Special Access. Charges, monthly and nonrecurring, will apply for the duplicate Special Access. A new minimum period will be established for the duplicate portion of the Special Access, depending on which end of the Special Access is moved. The customer will remain responsible for all minimum period charges associated with the corresponding portion of the disconnected Special Access.

The charge for the move depends on whether the move is within the same CDL or to a different CDL.

---

---

FACILITIES FOR INTERSTATE ACCESS

---

5. SPECIAL ACCESS (Cont'd)

5.6 Rate Regulations (Cont'd)

5.6.4 Moves (Cont'd)

(A) Same CDL

When the move of a termination of FIA, as defined in Section 2.1.5, for special access is to a new point within the same CDL (same address and/or same building), the charge for the move will be the installation charge for the portion of the service being reterminated. There will be no change in the minimum period requirements. For services subject to payment plan regulations, the same payment period will remain in force.

(B) Different CDL

(1) When the move is to a different CDL (different address and different building), except as specified below, it will be treated as a disconnect and an installation of service. The appropriate service installation charge for the service termination(s) affected will apply. A new minimum period will be established for the installed Special Access Service. The customer will remain responsible for all minimum period charges associated with the disconnected Special Access Service. For services subject to payment plan regulations, a new payment plan will be established and full assessment of the remaining liabilities will be applicable.

(2) When the move is to a different CDL but served by the same serving wire center, the following conditions apply:

- A change ASR will be required.
- The appropriate service installation charge for the service termination(s) affected will apply.
- For Special Access services subject to payment plan regulations, if the customer of record remains the same with no lapse in service, the appropriate NRCs for changes will apply. Otherwise, the move will be treated as a disconnect and an installation of service and all appropriate NRCs and full assessment of the remaining liabilities will be applicable.

---

FACILITIES FOR INTERSTATE ACCESS

---

5. SPECIAL ACCESS (Cont'd)

5.6 Rate Regulations (Cont'd)

5.6.5 Rates and Charges on an Individual Case Basis

(A) The monthly rates and nonrecurring charges for the following service offerings will be developed on an Individual Case Basis:

- Full time Videoband - Type I Facilities

(B) The monthly rates and nonrecurring charges for the following Supplemental Features will be developed on an Individual Case Basis:

Dataphone Select a Station Bridging Common Equipment Addressable.

Dataphone Select a station Bridging Each Four Wire Port.

---

## FACILITIES FOR INTERSTATE ACCESS

---

### 5. SPECIAL ACCESS (Cont'd)

#### 5.6 Rate Regulations (Cont'd)

##### 5.6.6 Hub Wire Centers

A Hub Wire Center is a Telephone Company designated serving wire center at which bridging or multiplexing arrangements are provided. Bridging is used to connect three or more CDLs in a multipoint arrangement. The multiplexing arrangements channelize analog or digital facilities to individual services requiring a lower capacity or bandwidth.

Although Hub Wire Centers are defined as serving wire centers at which bridging or multiplexing arrangements are performed, they are not limited to providing these functions and may provide any other types of Special Access services offered in this Guide. For example, the Telephone Company will designate certain Hub Wire Centers for Program Audio service offerings and the termination of Group System DS3\* Special Transport.

The Telephone Company will designate the Hub Wire Center locations. Different locations may be designated as Hub Wire Centers for different functions, such as bridging or multiplexing arrangements, for different facility capacities (e.g., multiplexing from digital to digital may occur at one wire center while multiplexing from digital to analog may occur at a different wire center). The location of Hub Wire Centers and the types of hubbing functions offered at that location are identified in the NECA Tariff FCC No. 4.

Some of the types of multiplexing provided include the following:

- from higher to lower bit rate,
- from higher to lower bandwidth,
- from digital to voice grade service.

The transmission performance for the end to end Special Access provided from CDLs will be that of the lower capacity or bit rate. For example, when a DS1 Special Access is multiplexed to voice frequency circuits, the transmission performance will be Voiceband, not High Capacity.

The Telephone Company will commence billing the monthly rate for the Special Access Line and Special Transport or Special Access Cross Connect charge for EIS arrangements, for the High Capacity facility to the Hub Wire Center as of the service date, even though individual services utilizing those facilities may not be installed until a later date. If the customer has designated the type of multiplexing to be provided with the High Capacity facility, the nonrecurring charge for the Multiplexing Arrangement will be billed to the same customer at that same time, and the billing for the monthly rate will begin.

---

FACILITIES FOR INTERSTATE ACCESS

---

5. SPECIAL ACCESS (Cont'd)

5.6 Rate Regulations (Cont'd)

5.6.6 Hub Wire Centers (Cont'd)

Individual Special Access rates (by Special Access type) will apply for the Special Access Line and additional Special Transport facilities (if required) for each channelized Special Access. These will be billed to the customer specified on the ASR as each individual Special Access is installed. The appropriate application of rate elements is specified in 5.6.7(B). Shared use of a digital high capacity facility is provided for in 5.6.7(A).

A customer may order full time and/or part time Program Audio Services between two CDLs, or between a CDL and a Hub Wire Center, and will be billed accordingly at the rates set forth in Sections 5.7.3(A), 5.7.3(B), 5.7.3(C) and 5.7.3(D) following.

At the request of the customer, the full time and/or part time services provided to a Hub Wire Center may be connected together in the following configurations: full time to full time, full time to part time, or part time to part time.

The rates that apply for Program Audio Services between each CDL and the Hub Wire Center are Special Transport, if applicable, and Special Access Line. In addition, rates for Supplemental Features may be applicable.

## FACILITIES FOR INTERSTATE ACCESS

## 5. SPECIAL ACCESS (Cont'd)

## 5.6 Rate Regulations (Cont'd)

## 5.6.7 Shared Use Analog and Digital High Capacity Services\*

Shared Use refers to a rate application applicable only when the customer orders High Capacity Special Access facilities between a customer designated premises and a Telephone Company hub where the Telephone Company performs multiplexing/de-multiplexing functions and the same customer then orders the derived channels as Special and Switched Access Services. If the customer has Switched Access Service between a customer designated premises and an end office that is multiplexed at a Telephone Company hub and subsequently orders the derived channels as Special and Switched Access Service, rates and charges will apply as if the service were ordered as shared use.

(T)

Shared use of Special Access Cross Connect and Expanded Interconnection service are not available.

Except as noted above, the High Capacity facility will be ordered, provided and rated as Special Access Service (i.e., Channel Termination, Channel Mileage, as appropriate, and Multiplexing Arrangement). The nonrecurring charge that applies when the shared use facility is installed will be the nonrecurring charge associated with the appropriate Special Access High Capacity Channel Termination. Rating as Special Access will continue until such time as the customer chooses to use a portion of the available capacity for Switched Access Service. Individual service (i.e., Switched or Special Access) nonrecurring charges will not apply to the individual channels of the shared use facility.

When Special Access Service is provided utilizing a channel of the shared use facility to a hub, High Capacity rates and charges will apply for the facility to the hub, as set forth preceding, and individual service rates and charges will apply from the hub to the customer designated premises. The rates and charges that will apply to the portion from the hub to the customer designated premises will be dependent on the specific type of Special Access Service that is provided. The applicable rates and charges will include a Channel Termination and Channel Mileage, if applicable. Rates and charges for optional features and functions associated with the service, if any, will apply for the appropriate channel type.

(T)

\* Shared Use Analog and Digital High Capacity Services are not available for arrangements between service areas listed under 5.2.7(H).

---

**FACILITIES FOR INTERSTATE ACCESS**

---

**5. SPECIAL ACCESS (Cont'd)****5.6 Rate Regulations (Cont'd)****5.6.7 Shared Use Analog and Digital High Capacity Services\* (Cont'd)**

As each individual channel is activated for Switched Access Service, the High Capacity Special Access Channel Termination, Channel Mileage, and Multiplexing rates will be reduced accordingly (e.g., 1/24th for a DS1 service, etc.). Switched Access Service rates and charges, as set forth in FCC 14 Section 20 following, will apply for each channel that is used to provide a Switched Access Service. Additionally, the Switched Access Service Entrance Facility, Direct Trunked Transport, and Multiplexing charges, if applicable, will be reduced by multiplying their respective rates by the ratio of derived Switched Access Service channels to the total number of Voice Grade channels that can be derived.

(T)

The customer must place an order for each individual Switched or Special Access Services utilizing the Shared Use Facilities and specify the channel assignment for each such service.

(T)

- \* Shared Use Analog and Digital High Capacity Services are not available for arrangements between service areas listed under 5.2.7(H).

---

FACILITIES FOR INTERSTATE ACCESS

---

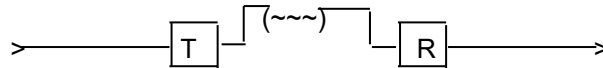
5. SPECIAL ACCESS (Cont'd)

5.6 Rate Regulations (Cont'd)

5.6.8 Video Digital Transport Services

(A) Type I

The rates and charges for use of facilities for Temporary Video Digital Transport - Type I Service are assessed on a per hop basis. A hop is defined as the transporting of a one way video and associated audio signal(s) in a direct path from a transmitter location to the adjacent receiver location. The distance of a single hop is primarily a factor of the local geographics of the video path, therefore, more than one hop may be required between CDLs. The following diagram depicts a single hop.



There are two separate rate categories for a hop which are based on the provisioning of service:

- Video broadcasts which use permanent facilities, and
- Video broadcasts which use nonpermanent facilities.



---

FACILITIES FOR INTERSTATE ACCESS

---

5. SPECIAL ACCESS (Cont'd)

5.6 Rate Regulations (Cont'd)

5.6.8 Video Digital Transport Services (Cont'd)

(A) Type I (Cont'd)

(1) Use of Permanent Facilities for Temporary Video Digital Transport Type I, Broadcast

Permanent facilities are those in place facilities that are not removed at the end of a broadcast.

The rates and charges for services provided over permanent facilities for Nonrecurring Charges, for Hourly Charges, and for Technician Standby, are set forth in Section 5.7.4(A). Nonrecurring Charges for Temporary Video Digital Transport Service - Type I are also described in Section 5.6.1(E)(4).

The Telephone Company does not contemplate constructing permanent facilities to provision future requests for temporary Type I Video Digital Transport service. However, in the event that a customer requests this type of provisioning in those states not designated as "NA", as set forth in 5.7.4 following, the Telephone Company will provide such facilities under Special Construction as set forth in Section 3.1.3 preceding. Accordingly, such facilities are deemed to be provided for the sole use of that customer and no other future use of those facilities is planned or expected by the Telephone Company.

---

FACILITIES FOR INTERSTATE ACCESS

---

5. SPECIAL ACCESS (Cont'd)

5.6 Rate Regulations (Cont'd)

5.6.8 Video Digital Transport Services (Cont'd)

(A) Type I (Cont'd)

(2) Use of Nonpermanent Facilities for Temporary Video Digital Transport Type I, Broadcast

Nonpermanent facilities consist of portable microwave equipment (e.g., transmitter, receiver, antenna, connecting cables and associated equipment) which is set up for the broadcast and subsequently removed after the broadcast.

The rates and charges for services provided over nonpermanent facilities for Nonrecurring Charges, for Hourly Charges, and for Technician Standby are set forth in Section 5.7.4(A) following. Nonrecurring Charges for Temporary Video Digital Transport Service - Type I are described in Section 5.6.1(E)(4).

Where multiple hops are required to provide the requested service, the rates and charges will apply to each hop set up for the broadcast. The Technician Standby charge will only apply to the time the Video Digital Transport Type 1 service is provided. The Technician Standby charge is not applied on a per hop basis.

(3) Use of Combined Facilities for Temporary Video Digital Transport Type I, Broadcast

Temporary Video Digital Transport Service may require the use of combined facilities to provide the requested service. Where permanent and nonpermanent facilities are used in tandem to provide a Video service, one half the nonrecurring charge will apply for the permanent facilities while the full nonrecurring charge will apply for the nonpermanent facilities. The hourly charge for both facilities will be applicable. The Technician Standby charge will only apply to the time the service is provided.

---

---

FACILITIES FOR INTERSTATE ACCESS

---

5. SPECIAL ACCESS (Cont'd)

5.6 Rate Regulations (Cont'd)

5.6.8 Video Digital Transport Services (Cont'd)

(A) Type I (Cont'd)

(4) Joint Provisioning of Service

Where more than one Telephone Company is involved in the provisioning of a Temporary Video Digital Transport Service - Type I, such jointly provided facilities are subject to the rules and regulations outlined in Sections 2.7 and 3.3. When the multiple bill option is employed as set forth in Section 2.7.3(B), the rates will apply as follows: When only nonpermanent facilities are used to provision the service and the service is jointly provided, the rates for the Video service will be one half the nonrecurring charge and one half the hourly charge. Where permanent facilities are used to provision the Video service and the service is jointly provided, the rates for the service are the entire nonrecurring charge and the entire hourly charge. Where a combination of permanent and nonpermanent facilities are used in the joint provisioning of the service, the rates for the Video service will be one half the nonrecurring charge for the permanent and nonpermanent facilities and one half the hourly charge for the nonpermanent facilities and the entire hourly charge for the permanent facilities.

The entire Technician Standby charge will be applied to the time the service is provided under a multiple bill option.

---

FACILITIES FOR INTERSTATE ACCESS

---

5. SPECIAL ACCESS (Cont'd)

5.6 Rate Regulations (Cont'd)

5.6.8 Video Digital Transport Services (Cont'd)

(B) Type II

(1) Rate Application

(a) Standard Arrangements

(1) Video Digital Transport - Up to 45 Mbps

The rates and charges for Video Digital Transport - Up to 45 Mbps are time sensitive and applied based on the duration of the video connection. Only one level of charge will apply to continuous usage, either minute sensitive, daily, weekly or monthly. In no event will the charge for continuous video usage exceed the rate for the next higher time frame level of usage.

For example, for two days of continuous usage, two times the daily rate would apply. For three days, the weekly rate is applicable since three times the daily rate exceeds the weekly rate.

The rates set forth under 5.7.4(B)(1)(a) apply for each segment between the customer location and the hub.

Video Digital Transport- Up to 45 Mbps is offered under a 1, 3 or 5 year plan at rates set forth under 5.7.4(B)(3)(a).

(2) Video Digital Transport - 270 Mbps #

(a) General

Video Digital Transport - 270 Mbps is offered as a switched configuration or a dedicated (non-switched) configuration. The switched configuration may be a point-to-point or multi-point arrangement that terminates on ports of the Telephone Company's video switch. The dedicated arrangement is a point-to-point service for the transmission of video without accessing the Telephone Company's video switch.

# Service availability limited. Refer to # footnote on Page 5-22.

---

FACILITIES FOR INTERSTATE ACCESS

---

5. SPECIAL ACCESS (Cont'd)

5.6 Rate Regulations (Cont'd)

5.6.8 Video Digital Transport Services (Cont'd)

(B) Type II (Cont'd)

(1) Rate Application (Cont'd)

(a) Standard Arrangements (Cont'd)

(2) Video Digital Transport - 270 Mbps # (Cont'd)

(a) General (Cont'd)

Video Digital Transport - 270 Mbps is available under a month-to-month arrangement, term commitment plan of 1, 2, 3 or 5 years, or on a daily basis. The month-to-month offering requires a minimum service period of three months. In addition, with the exception of daily rates, for the switched configuration there are two volume tier levels used in determining applicable rates, 1-4 switched access line connections and 5 or more line connections between the same locations. When ordering additional connections, the customer must advise the Telephone Company of the number of existing connections at the location.

Video Digital Transport - 270 Mbps is provided via fiber optic or other compatible facilities. Where appropriate facilities are not available, Special Construction charges may apply as set forth in Section 3.1.3 preceding to provide such facilities required to meet the customer's request.

# Service availability limited. Refer to # footnote on Page 5-22.

---

---

FACILITIES FOR INTERSTATE ACCESS

---

5. SPECIAL ACCESS (Cont'd)

5.6 Rate Regulations (Cont'd)

5.6.8 Video Digital Transport Services (Cont'd)

(B) Type II (Cont'd)

(1) Rate Application (Cont'd)

(a) Standard Arrangements (Cont'd)

(2) Video Digital Transport - 270 Mbps # (Cont'd)

(b) Rate Elements

The rate elements for Video Digital Transport - 270 Mbps are described as follows:

(1) Switched Video Access Line (SVAL)

The Switched Video Access Line (SVAL) provides for the Video Digital Transport - 270 Mbps line connection between the customer designated locations and its serving wire center. The SVAL includes the appropriate video-enabling equipment, circuit equipment, and outside plant facilities to access the customer's serving wire center. The standard SVAL arrangement defines the technical characteristics associated with the type of facilities with which the video service will interconnect and the type of signaling capability, if any. The SVAL includes any video encoding device that may be necessary to provide the service if any is required.

The SVAL is available on a unidirectional or bi-directional basis.

(2) Switched Video Port

The Switched Video Port is the rate element that provides for the connection of an SVAL to the Telephone Company's video network switch. The Switched Video Port rate is applied per SVAL on a unidirectional or bi-directional basis as determined by the directionality of the SVAL associated with the port.

# Service availability limited. Refer to # footnote on Page 5-22.

---

FACILITIES FOR INTERSTATE ACCESS

---

5. SPECIAL ACCESS (Cont'd)

5.6 Rate Regulations (Cont'd)

5.6.8 Video Digital Transport Services (Cont'd)

(B) Type II (Cont'd)

(1) Rate Application (Cont'd)

(a) Standard Arrangements (Cont'd)

(2) Video Digital Transport - 270 Mbps # (Cont'd)

(b) Rate Elements (Cont'd)

(3) Dedicated Video Line

The Dedicated Video Line (DVL) provides for a non-switched Video Digital Transport - 270 Mbps line connection between the customer dedicated location and its serving wire center for the purpose of point-to-point video transmission without connecting to a Telephone Company video switch.

(4) Video Digital Transport - 270 Mbps Transport

The Video Digital Transport - 270 Mbps Transport rate element provides for the interoffice transmission facilities for service arrangements where the customer designated locations are not served by the same wire center and/or for switched video arrangements for interoffice transmission facilities between the serving wire center of the customer designated location and the video switch. Where a service is provided by more than one company, transport will be measured to the meet point as set forth under Section 3.3. Transport rates are applied under two rate elements, a per airline mile rate component and a fixed mileage component for each 20 miles of transport or fraction thereof.

# Service availability limited. Refer to # footnote on Page 5-22.

---

---

FACILITIES FOR INTERSTATE ACCESS

---

5. SPECIAL ACCESS (Cont'd)

5.6 Rate Regulations (Cont'd)

5.6.8 Video Digital Transport Services (Cont'd)

(B) Type II (Cont'd)

(1) Rate Application (Cont'd)

(a) Standard Arrangements (Cont'd)

(2) Video Digital Transport - 270 Mbps # (Cont'd)

(b) Rate Elements (Cont'd)

(5) Optional Features - Video Digital Transport- 270 Mbps

(a) Audio

Audio channels are offered as an unbundled optional feature for Video Digital Transport - 270 Mbps, as not all 270 Mbps video service arrangements require audio. Audio is provided in pairs of stereo channels.

(b) Alternate Switching - Manual

Alternate Switching-Manual provides the customer the ability to call the Video Transmission Center (VTC) and request a video technician to establish or switch up a connection to another location. This optional feature is available at the rate set forth under 5.7.4(B)(2)(b) and applies on a per switching event basis.

(c) Conversion Services

Conversion services are offered to handle compatibility requirements between the end points of a video circuit. There are two conversion options available, Format Conversion and Codec Conversion.

# Service availability limited. Refer to # footnote on Page 5-22.

---



---

FACILITIES FOR INTERSTATE ACCESS

---

5. SPECIAL ACCESS (Cont'd)

5.6 Rate Regulations (Cont'd)

5.6.8 Video Digital Transport Services (Cont'd)

(B) Type II (Cont'd)

(1) Rate Application (Cont'd)

(a) Standard Arrangements (Cont'd)

(2) Video Digital Transport - 270 Mbps # (Cont'd)

(b) Rate Elements (Cont'd)

(5) Optional Features - Video Digital Transport- 270 Mbps  
(Cont'd)

(c) Conversion Services (Cont'd)

(1) Format Conversion provides for analog to digital, digital to analog, composite to component, component to composite, serial digital to composite, serial digital to component, composite to serial digital and component to serial digital conversions, as may be required.

(2) Codec Conversion provides codec compatibility between the end points of the video circuit.

(d) Interhub Arrangement

An interhub arrangement provides for the connection of a Video Digital Transport service between video hub wire centers or from a video hub wire center to a meet point.

Rates are applied per mile between the video hubs or from a hub to a meet point and per port for each hub connection.

# Service availability limited. Refer to # footnote on Page 5-22.

---

FACILITIES FOR INTERSTATE ACCESS

---

5. SPECIAL ACCESS (Cont'd)

5.6 Rate Regulations (Cont'd)

5.6.8 Video Digital Transport Services (Cont'd)

(B) Type II (Cont'd)

(1) Rate Application (Cont'd)

(a) Standard Arrangements (Cont'd)

(3) Video Digital Transport - TV1-Analog

(a) General

Video Digital Transport - TV1-Analog is offered as a switched configuration or a dedicated (non-switched) configuration. The switched configuration may be a point-to-point or multi-point arrangement that terminates on ports of the Telephone Company's video switch. The dedicated arrangement is a point-to-point service for the transmission of video without accessing the Telephone Company's video switch.

Video Digital Transport - TV1-Analog is available under a month-to-month arrangement, term commitment plan of 1, 2, 3 or 5 years, or on a part-time basis. The month-to-month offering requires a minimum service period of three months.

Where appropriate facilities are not available, Special Construction charges may apply as set forth in Section 3.1.3 preceding to provide such facilities required to meet the customer's request.

---

FACILITIES FOR INTERSTATE ACCESS

---

5. SPECIAL ACCESS (Cont'd)

5.6 Rate Regulations (Cont'd)

5.6.8 Video Digital Transport Services (Cont'd)

(B) Type II (Cont'd)

(1) Rate Application (Cont'd)

(a) Standard Arrangements (Cont'd)

(3) Video Digital Transport - TV1-Analog (Cont'd)

(b) Rate Elements (Cont'd)

The rate elements for Video Digital Transport - TV1-Analog are described as follows:

(1) Switched Video Access Line (SVAL)

The Switched Video Access Line (SVAL) provides for the Video Digital Transport - TV1-Analog line connection between the customer designated locations and its serving wire center. The SVAL includes the appropriate video-enabling equipment, circuit equipment, and outside plant facilities to access the customer's serving wire center. The standard SVAL arrangement defines the technical characteristics associated with the type of facilities with which the video service will interconnect and the type of signaling capability, if any. The SVAL includes any video encoding device that may be necessary to provide the service if any is required.

The SVAL is available on a unidirectional or bidirectional basis and is applied on a First and Additional (at same location) SVAL basis.

(2) Switched Video Port

The Switched Video Port is the rate element that provides for the connection of an SVAL to the Telephone Company's video network switch. The Switched Video Port rate is applied per SVAL on a First and Additional port basis as associated with a First or Additional SVAL.

---

FACILITIES FOR INTERSTATE ACCESS

---

5. SPECIAL ACCESS (Cont'd)

5.6 Rate Regulations (Cont'd)

5.6.8 Video Digital Transport Services (Cont'd)

(B) Type II (Cont'd)

(1) Rate Application (Cont'd)

(a) Standard Arrangements (Cont'd)

(3) Video Digital Transport - TV1-Analog (Cont'd)

(b) Rate Elements (Cont'd)

The rate elements for Video Digital Transport - TV1-Analog are described as follows:

(3) Dedicated Video Line

The Dedicated Video Line (DVL) provides for a non-switched Video Digital Transport - TV1-Analog line connection between the customer dedicated location and its serving wire center for the purpose of point-to-point video transmission without connecting to a Telephone Company video switch.

(4) Video Digital Transport - TV1-Analog Transport

The Video Digital Transport - TV1-Analog Transport rate element provides for the interoffice transmission facilities for service arrangements where the customer designated locations are not served by the same wire center and/or for switched video arrangements for interoffice transmission facilities between the serving wire center of the customer designated location and the video switch. Where a service is provided by more than one company, transport will be measured to the meet point as set forth under Section 3.3. Transport rates are applied under two rate elements, a per airline mile rate component and a fixed mileage component for each 20 miles of transport or fraction thereof.

---

FACILITIES FOR INTERSTATE ACCESS

---

5. SPECIAL ACCESS (Cont'd)

5.6 Rate Regulations (Cont'd)

5.6.8 Video Digital Transport Services (Cont'd)

(B) Type II (Cont'd)

(1) Rate Application (Cont'd)

(a) Standard Arrangements (Cont'd)

(3) Video Digital Transport - TV1-Analog (Cont'd)

(b) Rate Elements (Cont'd)

(5) Optional Features - Video Digital Transport - TV1-Analog

(a) Audio

One or two audio channels are provided with each TV1-Analog arrangement. Additional audio channels, up to two more, are available at the customer's option, at rates set forth under 5.7.4(B)(2)(b)(1).

(b) Alternate Switching – Manual

Alternate Switching-Manual provides the customer the ability to call the Video Transmission Center (VTC) and request a video technician to establish or switch up a connection to another location. This optional feature is available at the rate set forth under 5.7.4(B)(2)(b)(2) and applies on a per switching event basis.

---

FACILITIES FOR INTERSTATE ACCESS

---

5. SPECIAL ACCESS (Cont'd)

5.6 Rate Regulations (Cont'd)

5.6.8 Video Digital Transport Services (Cont'd)

(B) Type II (Cont'd)

(1) Rate Application (Cont'd)

(a) Standard Arrangements (Cont'd)

(3) Video Digital Transport - TV1-Analog (Cont'd)

(b) Rate Elements (Cont'd)

(5) Optional Features - Video Digital Transport - TV1-Analog (Cont'd)

(c) Conversion Services

Conversion services are offered to handle compatibility requirements between the end points of a video circuit. There are two conversion options available, Format Conversion and Codec Conversion.

(1) Format Conversion provides for analog to digital, digital to analog, composite to component, component to composite, serial digital to composite, serial digital to component, composite to serial digital and component to serial digital conversions, as may be required.

(2) Codec Conversion provides codec compatibility between the end points of the video circuit.

(d) Interhub Arrangement

An Interhub Arrangement provides for the connection of a Video Digital Transport service between video hub wire centers or from a video hub wire center to a meet point.

Rates are applied per mile between the video hubs or from a hub to a meet point and per port for each hub connection.

---

FACILITIES FOR INTERSTATE ACCESS

---

5. SPECIAL ACCESS (Cont'd)

5.6 Rate Regulations (Cont'd)

5.6.8 Video Digital Transport Services (Cont'd)

(B) Type II (Cont'd)

(1) Rate Application (Cont'd)

(b) Term Commitment Plan (TCP)

(1) General

Video Digital Transport Type II is available under a Term Commitment Plan (TCP).

Video Digital Transport - Up to 45 Mbps is offered under a 1, 3 or 5 year plan at rates set forth under 5.7.4(B)(3)(a). Video Digital Transport - 270 Mbps # and TV1-Analog are offered under a 1, 2, 3 or 5 year plan at rates set forth under 5.7.4(B)(3)(b) and (c), respectively.

- (a) The customer must designate on the ASR the commitment term selected.
- (b) Three year and five year rates will be equal to or less than the one year rates.
- (c) Inside moves in accordance with 5.6.4 will not incur termination liability charges.
- (d) Outside moves in accordance with 5.6.4(B)(2) will allow the customer to retain the same TCP period. Any other move will be treated as a disconnect of the service and termination liability charges will apply.

# Service availability limited. Refer to # footnote on Page 5-22.

---

---

FACILITIES FOR INTERSTATE ACCESS

---

5. SPECIAL ACCESS (Cont'd)

5.6 Rate Regulations (Cont'd)

5.6.8 Video Digital Transport Services (Cont'd)

(B) Type II (Cont'd)

(1) Rate Application (Cont'd)

(b) Term Commitment Plan (TCP) (Cont'd)

(2) Change in Term Length

Prior to the completion of the selected TCP term, the customer may elect to convert to a new TCP of the same or different term length subject to the following:

- No term credit is applied for payments made under the original plan.
- If the new term selected is shorter than the time remaining under the existing TCP, the change to the new TCP constitutes a disconnect of the existing TCP and termination liability charges will apply.

(3) Renewal Options

- (a) At the expiration of a TCP period, the Telephone Company will automatically renew the service at the same TCP period unless the customer chooses to convert to month-to-month or time sensitive billing, or discontinue service.
  - (b) Conversion to a different TCP period will require the customer to submit a change order ASR. Conversion to a different TCP period will be allowed without application of any nonrecurring or ordering charges.
  - (c) Conversion to standard arrangement rates (month-to-month or time sensitive) will be treated as a disconnect of service and establishment of new service. If no other changes are ordered, no NRCs will apply.
-



---

FACILITIES FOR INTERSTATE ACCESS

---

5. SPECIAL ACCESS (Cont'd)

5.6 Rate Regulations (Cont'd)

5.6.8 Video Digital Transport Services (Cont'd)

(B) Type II (Cont'd)

(1) Rate Application (Cont'd)

(b) Term Commitment Plan (TCP) (Cont'd)

(4) Notification of Discontinuance

An ASR for discontinuance of a TCP arrangement must be received by the Telephone Company at least thirty (30) business days prior to actual disconnect of service. Monthly (C) charges will apply for a period of thirty (30) business days from the date the Telephone Company receives disconnect notification or until the requested disconnect date if longer than thirty (30) business days. (C)

(5) Upgrade to a Digital Service

During a TCP period, customers may elect to upgrade from a Video Digital Transport Type II TV-1 Analog service to either a Video Digital Transport Type II Up-to-45Mbps or a Video Digital Transport Type II 270Mbps Unidirectional digital arrangement provided by the Telephone Company. Termination liability will be waived, subject to the upgrade meeting all of the following conditions:

- The upgraded service will be subject to all appropriate nonrecurring charges.
- The upgraded service remains connected at the same customer designated locations (CDL).
- The term length of the replacing digital arrangement is equal to or longer than the term length of the Video Digital Transport Type II TV-1 Analog service.

---

FACILITIES FOR INTERSTATE ACCESS

---

5. SPECIAL ACCESS (Cont'd)

5.6 Rate Regulations (Cont'd)

5.6.8 Video Digital Transport Services (Cont'd)

(B) Type II (Cont'd)

(1) Rate Application (Cont'd)

(b) Term Commitment Plan (TCP) (Cont'd)

(6) Termination Liability

When a TCP arrangement is discontinued prior to the end of the commitment period, termination liability charges, as set forth following, will apply based on the remainder of the TCP period in effect at the time of disconnect.

One Year TCP - 50% of any remaining portion of the first year's recurring charges.

Two Year TCP - 50% of any remaining portion of the first year's recurring charges. In addition, for any remaining portion of the second year, the customer will be liable for 10% of the total monthly recurring charges in that time period.

Three Year TCP - 50% of any remaining portion of the first year's recurring charges. In addition, for any remaining portion of the second and third years, the customer will be liable for 10% of the total monthly recurring charges in that time period.

Five Year TCP - 50% of any remaining portion of the first year's recurring charges. In addition, for any remaining portion of the second through fifth years, the customer will be liable for 20% of the total monthly recurring charges in that time period.

(7) Termination Without Liability

For Future Use.

(C)

During a TCP period, customers may upgrade analog service, subject to Section 5.6.8(B)(1)(b)(5) preceding, without termination liability.

---

FACILITIES FOR INTERSTATE ACCESS

---

5. SPECIAL ACCESS (Cont'd)

5.6 Rate Regulations (Cont'd)

5.6.8 Video Digital Transport Services (Cont'd)

(B) Type II (Cont'd)

(2) Shared Use of Videoband Service - Type II/Video Digital Transport

Multiple users may share a Videoband - Type II/Video Digital Transport connection from a specific customer site to a video carrier's location. The Telephone Company will bill the usage to the customer who requests the video connection.

(3) Availability of Videoband Service - Type II/Video Digital Transport

The Telephone Company does not guarantee the availability of access facilities to serve all customers for all possible simultaneous video connection requirements. Customer access will be provided on a first-come, first-serve basis.

(4) Use of Video Digital Transport - Type II Facilities for Other Than Video Transport

Type II facilities are designed for the express use of Type II video connections. Use of these facilities for transmission of other than video and the associated audio signals, by the customer, may result in interference or impairment of telephone company facilities and will be subject to the provisions in Section 2.2.2.

---

FACILITIES FOR INTERSTATE ACCESS

---

5. SPECIAL ACCESS (Cont'd)

5.6 Rate Regulations (Cont'd)

5.6.9 Special Access Surcharge

Pending the development of techniques to accurately measure usage of local facilities which are interconnected by users by means of interstate or foreign telecommunications, a surcharge of \$25.00 per service per month will be assessed to a two point Special Access Service, and to each additional Special Access Line when the service is configured as multipoint. The Special Access Surcharge will also be assessed upon High Capacity Digital and FT1 Services on a voiceband equivalent basis. The voiceband equivalency for these type services is as follows:

- High Capacity DS1 equates to 24 Voiceband Facilities
- High Capacity FiberConnect equates to a maximum of 96 Voiceband Facilities
- High Capacity DS3 equates to 672 Voiceband Facilities
- Each 56 Kbps or 64 Kbps channel in a FT1 Service equates to one Voiceband Facility
- High Capacity E1 equates to 30 Voiceband Facilities

The Special Access Service will be exempted from the monthly surcharge if the customer provides the Telephone Company written certification that the termination is one of the following:

- (1) The open end termination (dial tone end) of a Foreign Central Office Line, Common Control Switching Arrangement (or equivalent) or Off Network Access Line (ONAL).
- (2) Any termination of an analog circuit used for radio or television program transmission.
- (3) Any termination of a line used for telex service.
- (4) Any termination of a line by nature of its operating characteristics and nature of connection could not make use of common lines.
- (5) Any line termination, other than (1) through (4) preceding, which is subject to the following charges: (a) Carrier Common Line, (b) End Office Switching, and (c) Switched Transport.
- (6) A termination that the customer certifies to the Telephone Company is not connected to a PBX or other device capable of interconnecting the Special Access Service to the local network. If the PBX or other device has been configured either through software programming or physical restrictions not to access the local network, then the customer may file the surcharge exemption for the Special Access Service terminating on this equipment.

---

FACILITIES FOR INTERSTATE ACCESS

---

5. SPECIAL ACCESS (Cont'd)

5.6 Rate Regulations (Cont'd)

5.6.9 Special Access Surcharge (Cont'd)

In order for the Telephone Company to determine the application of the surcharge with respect to specific services, the customer must report the intended use of all services when placing ASRs for Special Access Service. In addition, when ordering High Capacity Analog or Digital services, the customer must report the use for each voice equivalent circuit of the high capacity service. When any circuit is reported wholly used in any manner described in (1) through (6) preceding, the surcharge will not apply. If the intended use is not reported, the surcharge will apply.

If, at any time after the installation of a service which is subject to the surcharge, the customer reports that the service is being used consistently with any exception listed above, the Telephone Company will credit the customer for the surcharge. Credit will not be given beyond the receipt date of the certification for exemption.

When the customer orders DS3 Premises Multiplexer as set forth in Section 5.5(L) preceding, the Special Access Surcharge will apply to the DS1s that are derived from the multiplexer unless written certification is provided in accordance with this Section 5.6.9.

5.6.10 Message Station Equipment Recovery Charge

Message Station Equipment Recovery Charge is a charge to recover that portion of message station equipment which is assigned to Special Access Service. Since there is zero cost assigned to Message Station Equipment Recovery in Special Access the charge is \$.00.

---

FACILITIES FOR INTERSTATE ACCESS

---

5. SPECIAL ACCESS (Cont'd)

5.6 Rate Regulations (Cont'd)

5.6.11 DS3 High Capacity Service\*

(A) DS3 Rate Structure

A DS3 (44.736Mbps) High Capacity SAL, whether an Individual, 3-System or Unlimited System, may be purchased with or without electronics. When a SAL is ordered with electronics the Telephone Company will place electronics at both the CDL and the serving wire center. When a SAL is ordered without electronics the Telephone Company will only place electronics at the serving wire center and not at the CDL. Effective May 18th 2002 when a DS3 SAL is ordered without electronics the interface must be optical unless an Additional SAL is added to an existing System with an electrical interface. When ordered with electronics the interface may be electrical or optical.

DS3 SALs are non-distance sensitive and are provided on a protected basis.

A Minimum Period charge applies to a DS3 (44.736Mbps) High Capacity SAL, whether an Individual, 3-System, Unlimited System or Group System. The minimum period for High Capacity DS3 Service is that period requested by the customer as set forth in Section 5.6.11 (B) following. The minimum period for a Month to Month Rated DS3 is 12 months. When a DS3 service is discontinued prior to the end of the minimum period, the customer will be liable for the total monthly charges for the remaining portion of the applicable minimum period. This charge will be based on the rates in effect at the time of disconnect.

Individual System

An Individual System is a single DS3 between a CDL and the serving wire center. The appropriate NRC is applied per SAL.

Transport rate elements are applied per SAL when transport between offices is required. In instances when a SAL is ordered to a second CDL in conjunction with an Individual System SAL and Transport between offices is required Transport rate elements are applied per circuit.

3-System #

The 3-System allows the same customer, between the same CDL and the serving wire center, to order additional DS3 SALs, up to a maximum of two. Additional SALs may only be added with the same interface, electrical or optical, and with Telephone Company electronics or without Telephone Company electronics as the First System. The appropriate NRC is applied per SAL.

Transport rate elements are applied per SAL when transport between offices is required. In instances when a SAL is ordered to a second CDL in conjunction with a 3-System SAL and Transport between offices is required Transport rate elements are applied per circuit.

\* High Capacity DS1 and DS3 services may be provided between service areas shown under 5.2.7(H), where facilities and conditions permit.

---

FACILITIES FOR INTERSTATE ACCESS

---

5. SPECIAL ACCESS (Cont'd)

5.6 Rate Regulations (Cont'd)

5.6.11 DS3 High Capacity Service\* (Cont'd)

(A) DS3 Rate Structure (Cont'd)

Unlimited System #

The Unlimited System allows the same customer, between the same CDL and the serving wire center, to order additional DS3 SALs, with no maximum. Additional SALs may only be added with the same interface, electrical or optical, and with Telephone Company electronics or without Telephone Company electronics as the First System. The appropriate NRC is applied per SAL.

Transport rate elements are applied per SAL when transport between offices is required. In instances when a SAL is ordered to a second CDL in conjunction with an Unlimited System SAL and Transport between offices is required Transport rate elements are applied per circuit.

Group Systems

Group System DS3s are limited to those services so equipped and in service as of March 4, 1999. Group System DS3s provide a total capacity of 12 (DS3 x 12) or 24 (DS3 x 24) DS3 SALs. All DS3s in a Group System must be between the same CDL and serving wire center.

\* High Capacity DS1 and DS3 services may be provided between service areas shown under 5.2.7(H), where facilities and conditions permit.

# Effective November 21, 2017, new subscriptions to DS3 3-System and Unlimited System are no longer permitted. DS3 3-System and Unlimited System customers subscribed as of November 21, 2017 may continue with their existing subscriptions. If at any time an existing customer terminates its DS3 3-System and Unlimited System, the customer may not re-subscribe to the plan.

---

FACILITIES FOR INTERSTATE ACCESS

---

5. SPECIAL ACCESS (Cont'd)

5.6 Rate Regulations (Cont'd)

5.6.11 DS3 High Capacity Service (Cont'd)

(A) DS3 Rate Structure (Cont'd)

A DS3 SAL provides a spare transmission path (transmit and receive) connected to an automatic protection switch. In the event of failure in the primary service, traffic will be automatically transferred to the spare transmission facilities. The spare transmission path will normally be provided on the same route as the primary path. When a customer orders a DS3 SAL, the customer may request that the spare transmission path be provided via an alternate route provisioned as the Telephone Company may elect. If common points for the primary and alternate route become necessary, these points will be identified by the Telephone Company and provided to the ordering customer. Should the routing arrangement require special routing requirements specified by the customer, other rates and regulations as set forth in Section 9 or Section 10 may be applicable.

A customer may order the same or different type of DS3 SALs for each CDL(s) at which DS3 service is terminated.

When a customer requests the disconnect of a DS3 service in the 3 System DS3 or Unlimited System DS3, an Additional System DS3 SAL must be disconnected first. When only the First DS3 service exists, that service will be disconnected.

Any costs associated with Special Construction as set forth in Section 3.1.3 preceding may apply.

DS3 Special Transport contains two rate elements, Special Transport Termination and Special Transport Facility. Special Transport Termination rates apply for the termination of each end of the interoffice facility. Special Transport Facility rates apply for each airline mile of the interoffice facility. Group System DS3\* Transport Terminations (DS3 x 12 and DS3 x 24) and Group System DS3\* Transport Facilities are only available when connected to at least one DS3 Group System\* SAL of the same level (12 or 24). In addition, the Special Transport Facility and Special Transport Termination rates apply per DS3 Group of 12 or 24.\*

DS3 Banded Special Transport applies as a single rate per mileage band in accordance with Section 10.16 following.

\* Limited to those services so equipped and in service as of March 4, 1999.



---

FACILITIES FOR INTERSTATE ACCESS

---

5. SPECIAL ACCESS (Cont'd)

5.6 Rate Regulations (Cont'd)

5.6.11 DS3 High Capacity Service (Cont'd) #

(B) Service Periods #

Individual DS3s and System DS3s are offered under four service periods, each with different rate levels. The service periods are 1, 3, 5 and 7 years. The customer must specify the service period at the time the service is ordered. First and Additional DS3 SALs (3 System DS3s and Unlimited System DS3s) can have a different service period. However, each DS3 SAL of a two point DS3 service must have the same service period.

(C) Expiration of Service Period #, ##

At the expiration of a service period, the service will convert to the Individual System Month to Month Rate.

# Effective November 19, 2021, DS3 Service Periods are no longer permitted. DS3 Service Periods in effect as of November 19, 2021 may continue the existing term but will not be eligible to extend, renew, reenroll in, convert to a new service period, or in any other way continue their existing plan beyond its current expiration. At expiration of the service period the service will convert to the Month to Month Rate. If at any time an existing customer terminates its DS3 Service Period, the customer may not re-subscribe to the rate.

## Effective July 26, 2022 Any DS3 Service billing at the Month to Month rate will convert to the DS3 Individual System Month to Month rate. In addition, at the expiration of a Service Period, the DS3 service will convert to the Individual System Month to Month rate.

---

FACILITIES FOR INTERSTATE ACCESS

---

5. SPECIAL ACCESS (Cont'd)

5.6 Rate Regulations (Cont'd)

5.6.11 DS3 High Capacity Service (Cont'd)

(D) Discontinuance Without Liability DS3 Service Period

For Future Use.

(C)

The customer may cancel the service period of a DS3 Service that is provided under this Section 5.6.11 in order to replace the DS3 Service with a Replacing Service pursuant to the Technology Migration regulations set forth in Section 2.10 preceding.

(E) Discontinuance With Liability - DS3 Service Period

When a DS3 service is discontinued prior to the end of the service period, the customer will be liable for a percentage of the total monthly charges for the remaining portion of the applicable service period. This charge will be based on the rates in effect at the time of disconnect. There are two liability periods for DS3 service, "first liability period" and "subsequent liability period". The "first liability period" is the period beginning from the establishment of the DS3 and is based on the customer's initial commitment term for the DS3. The "subsequent liability period" is the period after the customer's initial commitment term has expired and the customer wants to renew the DS3 service with the existing term period or select a new DS3 term period. The customer's total liability for the "first liability period" or "subsequent liability period" is dependent upon the number of months remaining within the year that the service is discontinued times the liability rate for that year plus the total monthly charges for each annual period remaining in the "first liability period" or "subsequent liability period" times the applicable liability rate. The liability rates for each year of the service period are as follows:

FACILITIES FOR INTERSTATE ACCESS

---

5. SPECIAL ACCESS (Cont'd)

5.6 Rate Regulations (Cont'd)

5.6.11 DS3 High Capacity Service (Cont'd)

(E) Discontinuance With Liability - DS3 Service Period (Cont'd)

<u>Year In Which Service Is Discontinued</u>	<u>1st Liability Period Rate</u>	<u>Subsequent Liability Period Rate</u>
1	45%	20%
2	30%	20%
3	25%	20%
4	20%	20%
5	20%	20%
6	20%	20%
7	20%	20%

For example, if a customer with a first liability period of seven years discontinues the DS3 service after six months within the 4th year, the customer will be liable for 20% of the total monthly charges for six months, 20% of the total monthly charges for the 6th year and 20% of the total monthly charges for the 7th year.

For example, if DS3 service is disconnected during the subsequent seven year liability period, the customer will be liable for 20% of the total monthly charges for the remaining months for each annual period remaining in the seven year service period.

Customers with a service period arrangement of three years or greater established on or prior to September 17, 1992, who discontinue service are eligible for limitation of the termination liability as set forth below.

Customer liability will be calculated as previously stated but will be limited to:

The dollar difference between 1) the amount the customer has already paid and, 2) any additional charges that the customer would have paid for service if the customer had taken a shorter term offering corresponding to the term actually used.

For example, if a customer with a seven year service period discontinues service six months after the end of the third year, the customer liability will not exceed:

(Three year monthly rate - Seven year monthly rate) x 42 months)

---

FACILITIES FOR INTERSTATE ACCESS

---

5. SPECIAL ACCESS (Cont'd)

5.6 Rate Regulations (Cont'd)

5.6.11 DS3 High Capacity Service (Cont'd)

(F) Upgrades

(1) Upgrade to Higher Speed Service

Customers may elect to upgrade DS3 service(s) to a higher speed during a first liability period or subsequent liability period. The higher capacity service requires the Individual System Month to Month rate and a new minimum period as described in 5.6.11 (A). The upgraded service will be subject to all appropriate NRCs.

If the following conditions exist, no termination liabilities will be applied:

- Both the existing and the new services are provided solely by the Company.
- The order to discontinue a service at an existing speed or capacity and the order for the upgraded service are received by the Company at the same time.
- The new service will be provided at the same customer location(s) as the discontinued service.
- The fixed-period plan for the upgraded service(s) meets or exceeds the remaining length of the existing fixed-period plan, except where an equal to or longer fixed-period plan is not available, in which case the longest fixed-period plan must be selected.
- The total monthly rate of the new agreement is equal to or greater than the total monthly rate of the existing agreement period.
- The monthly rates for the upgraded services and/or service elements will be those in effect at the time of the service upgrade. The upgraded service will be subject to all appropriate nonrecurring charges.
- Termination liability charges will not apply as long as the upgraded service remains connected at the same point of termination(s) or meets the requirements set forth in Section 5.6.4(B)(2).

---

FACILITIES FOR INTERSTATE ACCESS

---

5. SPECIAL ACCESS (Cont'd)

5.6 Rate Regulations (Cont'd)

5.6.11 DS3 High Capacity Service (Cont'd)

(G) Upgrades (Cont'd)

(2) Technology Migration

For customers who subscribe to or renew their subscription to a High Capacity Digital DS3 Service under a service period on or after December 2, 2010, the customer may disconnect a High Capacity Digital DS3 Service in order to replace such service with a Replacing Service pursuant to the Technology Migration regulations set forth in Section 2.10 preceding.

For customers who subscribed to a High Capacity Digital DS3 Service under a service period prior to December 2, 2010, Section 5.6.11(G)(1) preceding includes replacements of a High Capacity Digital DS3 Service with a Telephone Company provided Ethernet private line service or a Telephone Company provided switched Ethernet service of a higher speed. However, the customer may, at its option, replace a High Capacity Digital DS3 Service with a Replacing Service pursuant to the Technology Migration regulations set forth in Section 2.10 preceding in lieu of Section 5.6.11(G)(1) preceding.

---

FACILITIES FOR INTERSTATE ACCESS

---

5. SPECIAL ACCESS (Cont'd)

5.6 Rate Regulations (Cont'd)

5.6.11 DS3 High Capacity Service (Cont'd)

(H) DS3 Multiplexer Cross Connect Arrangement

The DS3 Multiplexer Cross Connect Arrangement allows a customer to (1) cross connect digital DS-1 channels from a DS3 Multiplexer to another DS3 Multiplexer or (2) to cross connect digital DS1 channels from a DS3 Multiplexer to an OC-3 CO-Node purchased from Section (20). When the DS3 Multiplexer Cross Connect is applied between a DS3 Multiplexer and an OC-3 CO-Node, applicable Section (20) rate elements are applied in addition to the DS3 Multiplexer Cross Connect. If the DS3 multiplexer is located in a different hub wire center than the other DS3 multiplexer or OC-3 CO-Node, DS1 special transport will apply in addition to the DS3 Cross Connect charge. The customer must provide the (CFA and SCFA) for both multiplexed services or OC-3 CO-Node on the ASR.

The rate as specified in Section 5.7.15 will apply per cross connect arrangement.

The DS3 Multiplexer Cross Connect Arrangement is not available with a DS3 Premises Multiplexer.

FACILITIES FOR INTERSTATE ACCESS

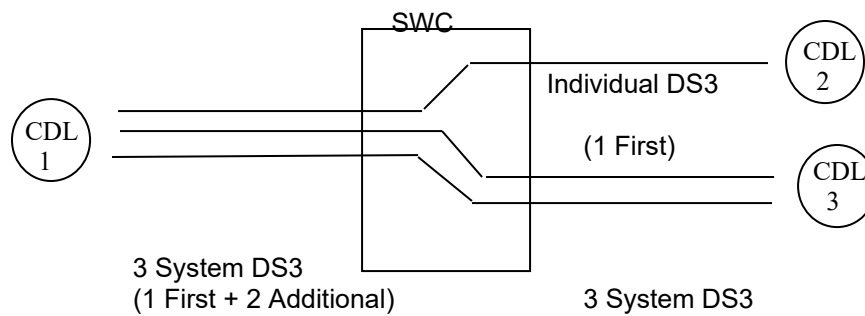
5. SPECIAL ACCESS (Cont'd)

5.6 Rate Regulations (Cont'd)

5.6.11 DS3 High Capacity Service (Cont'd)

(I) Partitioned Billing Arrangement (PBA)

PBA is a service arrangement that allows System DS3 (3 System, Unlimited System, or Group System\*) customers to partition the multiple DS3s to a number of CDLs on the other end of the circuit (see diagram below). All rate elements associated with the PBA must be billed to the same customer.



For 3 System DS3s and Unlimited System DS3s ordered under a PBA, each CDL must have a first system SAL. Additional SALs may then be ordered under the normal System terms and conditions.

\* Limited to those services so equipped and in service as of March 9, 1999.

---

FACILITIES FOR INTERSTATE ACCESS

---

5. SPECIAL ACCESS (Cont'd)

5.6 Rate Regulations (Cont'd)

5.6.11 DS3 High Capacity Service (Cont'd)

(I) Partitioned Billing Arrangement (PBA) (Cont'd)

When Group System DS3 Special Transport\* is provided as part of a PBA, a Group System DS3 SAL\* of the same level (DS3 x 12, DS3 x 24)\* must be connected to one end of the Group DS3 Special Transport\*. Under a PBA only, DS3 x 12 Group System Special Transport\* may be connected to DS3 x 24 Group System Special Transport\* at hub wire centers. Also, standard DS3 Special Transport may be connected to either DS3 Group System Special Transport\* at hub wire centers. All DS3 Special Transport Terminations apply for each type of DS3 Special Transport.

When ordering a PBA the customer must specify on the ASR the Access Service Group (ASG) and the First System DS3 circuit identification (ECCKT) at both CDLs. Each 3 System DS3 and/or Unlimited System DS3 at a CDL must be ordered as separate PBAs.

Customers with existing DS3 Systems (3 System, Unlimited System, or Group System\*) may convert to a PBA. To convert, the customer must issue discontinuance of service ASR(s) for the existing DS3s and establishment of new service ASR(s) for each CDL to be converted to the PBA. If no physical changes to the service(s) are required, no NRCs apply. If any physical changes are required, appropriate NRCs will apply.

\* Limited to those services so equipped and in service as of March 9, 1999.



---

FACILITIES FOR INTERSTATE ACCESS

---

5. SPECIAL ACCESS (Cont'd)

5.6 Rate Regulations (Cont'd)

5.6.12 Optional Payment Plan (OPP)#

(A) General

- (1) The terms and conditions specified herein are applicable to FiberConnect, and DDS services. Additional terms and conditions for FT1 OPP are set forth in 5.6.12(H). Additional terms and conditions for DDS are set forth in 5.6.12(I).
- (2) Only the Special Access Line (SAL) rate element is available under an OPP. All other associated rate elements or additional features are available at the standard month-to-month tariffed rates and regulations.
- (3) Three year and five year OPP rates will be equal to or less than the one year OPP rates. Decreases to the one year OPP will flow through to the three year and five year OPP.
- (4) Payment periods of one year, three year, and five years are available to all customers at the applicable rates set forth in 5.7.5(B), 5.7.8 or 5.7.9(B) regardless of when they subscribe to an OPP arrangement.
- (5) The customer must designate on the ASR the payment period for the OPP.
- (6) Inside moves, provided in accordance with 5.6.4, will not incur termination liability charges.
- (7) Outside moves provided in accordance with 5.6.4(B)(2) will allow the customer to retain the same OPP payment period. Any other move will be treated as a disconnect of the service and termination liability charges will apply.

# Effective November 21, 2017, new subscriptions to OPP is no longer permitted. OPP customers subscribed as of November 21, 2017 may continue with their existing subscriptions. If at any time an existing customer terminates its OPP, the customer may not re-subscribe to the plan.

---

FACILITIES FOR INTERSTATE ACCESS

---

5. SPECIAL ACCESS (Cont'd)

5.6 Rate Regulations (Cont'd)

5.6.12 Optional Payment Plan (OPP)# (Cont'd)

(B) Changes in Length of OPP Period

Prior to the completion of the selected OPP period, the customer may elect to convert to a new OPP period of the same or different length, subject to the following conditions:

- No credit toward the new payment period will be given for payments made under the original OPP arrangement.
- Nonrecurring charges will not be reapplied for existing service(s).
- If the new OPP period is shorter in length than the time remaining under the existing OPP, the change to the new OPP period constitutes a disconnect of the existing OPP service and termination liability charges apply.

(C) Renewal Options

- (1) At the expiration of an OPP period, the Telephone Company will automatically renew the service at the same OPP period unless the customer chooses to convert to a different OPP period, convert to month-to-month rates (except FiberConnect) or discontinue service.
  - (a) Conversion to a different OPP period will require the customer to submit a change order ASR. Conversion to a different OPP period will be allowed without application of any nonrecurring or ordering charges.
  - (b) Conversion to month-to-month rates will be treated as a disconnect of service and establishment of new service. If no other changes are ordered, no NRCs will apply.

# Service availability limited. Refer to # footnote on Page 4-105.

---

---

FACILITIES FOR INTERSTATE ACCESS

---

5. SPECIAL ACCESS (Cont'd)

5.6 Rate Regulations (Cont'd)

5.6.12 Optional Payment Plan (OPP)# (Cont'd)

(D) Notification of Discontinuance

An ASR for discontinuance of an OPP arrangement must be received by the Telephone Company at least thirty (30) business days prior to actual disconnect of service. Monthly charges will apply for a period of thirty (30) business days from the date the Telephone Company receives disconnect notification or until the requested disconnect date if longer than thirty (30) business days. (C)

(E) Upgrade to Higher Speed Service

Customers may elect to upgrade service(s) to a higher speed during an OPP period, subject to the following conditions:

- The upgraded service will be subject to all appropriate nonrecurring charges.
- Termination liability charges will not apply as long as the upgraded service remains connected at the same point of termination(s) or meets the requirements set forth in 5.6.4(B)(2).
- If the upgrade involves establishing a multiplexing arrangement, termination liability charges will not apply if the hub wire center is the same one associated with the customer designated location.

(F) Termination Liability

When an OPP service is discontinued prior to the end of the period, termination liability charges, as set forth below, will apply based on the remainder of the OPP period in effect at the time of disconnect.

One Year OPP - 50% of any remaining portion of the first year's recurring charges.

Three Year OPP - 50% of any remaining portion of the first year's recurring charges. In addition, for any remaining portion of the second and third years, the customer will be liable for 10% of the total monthly recurring charges in that time period.

Five Year OPP - 50% of any remaining portion of the first year's recurring charges. In addition, for any remaining portion of the second through fifth years, the customer will be liable for 20% of the total monthly recurring charges in that time period.

# Service availability limited. Refer to # footnote on Page 4-105.

---

---

FACILITIES FOR INTERSTATE ACCESS

---

5. SPECIAL ACCESS (Cont'd)

5.6 Rate Regulations (Cont'd)

5.6.12 Optional Payment Plan (OPP)# (Cont'd)

(G) Termination Without Liability

Reserve For Future Use.

(C)

(H) OPP for DDS

- (1) For conversion of existing month-to-month DDS to an OPP arrangement, the customer will be required to submit a change order ASR to convert to the OPP. No service or billing interruption will occur when a customer converts from month-to-month rates to OPP rates. If no other changes to the service are ordered, no charges will apply.
- (2) A customer may upgrade from a DDS OPP to an FT1 OPP subject to the following rate applications:
  - The changed service will be subject to all appropriate nonrecurring charges.
  - Termination liability charges will not apply as long as the changed service remains connected at the same point(s) of termination or meets the requirements of 5.6.4(B)(2).

# Service availability limited. Refer to # footnote on Page 4-105.

---

FACILITIES FOR INTERSTATE ACCESS

---

5. SPECIAL ACCESS (Cont'd)

5.6 Rate Regulations (Cont'd)

5.6.13 RESERVED FOR FUTURE USE

---

FACILITIES FOR INTERSTATE ACCESS

---

5. SPECIAL ACCESS (Cont'd)

5.6 Rate Regulations (Cont'd)

5.6.13 RESERVED FOR FUTURE USE

---

FACILITIES FOR INTERSTATE ACCESS

---

5. SPECIAL ACCESS (Cont'd)

5.6 Rate Regulations (Cont'd)

5.6.13 RESERVED FOR FUTURE USE

---

FACILITIES FOR INTERSTATE ACCESS

Frontier Dallas TX Fiber 1 LLC.

INTERSTATE SERVICE GUIDE AND PRICELIST NO. 15

Original Page 5-113

---

FACILITIES FOR INTERSTATE ACCESS

5. SPECIAL ACCESS (Cont'd)

5.6 Rate Regulations (Cont'd)

5.6.13 RESERVED FOR FUTURE USE



---

FACILITIES FOR INTERSTATE ACCESS

---

5. SPECIAL ACCESS (Cont'd)

5.6 Rate Regulations (Cont'd)

5.6.13 RESERVED FOR FUTURE USE

---

FACILITIES FOR INTERSTATE ACCESS

---

5. SPECIAL ACCESS (Cont'd)

5.6 Rate Regulations (Cont'd)

5.6.13 RESERVED FOR FUTURE USE

---

FACILITIES FOR INTERSTATE ACCESS

---

5. SPECIAL ACCESS (Cont'd)

5.6 Rate Regulations (Cont'd)

5.6.13 RESERVED FOR FUTURE USE

---

FACILITIES FOR INTERSTATE ACCESS

---

5. SPECIAL ACCESS (Cont'd)

5.6 Rate Regulations (Cont'd)

5.6.13 RESERVED FOR FUTURE USE

---

FACILITIES FOR INTERSTATE ACCESS

---

5. SPECIAL ACCESS (Cont'd)

5.6 Rate Regulations (Cont'd)

5.6.14 RESERVED FOR FUTURE USE

---

FACILITIES FOR INTERSTATE ACCESS

---

5. SPECIAL ACCESS (Cont'd)

5.6 Rate Regulations (Cont'd)

5.6.14 RESERVED FOR FUTURE USE

---

FACILITIES FOR INTERSTATE ACCESS

---

5. SPECIAL ACCESS (Cont'd)

5.6 Rate Regulations (Cont'd)

5.6.14 RESERVED FOR FUTURE USE

---

FACILITIES FOR INTERSTATE ACCESS

---

5. SPECIAL ACCESS (Cont'd)

5.6 Rate Regulations (Cont'd)

5.6.14 RESERVED FOR FUTURE USE



---

FACILITIES FOR INTERSTATE ACCESS

---

5. SPECIAL ACCESS (Cont'd)

5.6 Rate Regulations (Cont'd)

5.6.14 RESERVED FOR FUTURE USE

---

FACILITIES FOR INTERSTATE ACCESS

---

5. SPECIAL ACCESS (Cont'd)

5.6 Rate Regulations (Cont'd)

5.6.14 RESERVED FOR FUTURE USE

---

FACILITIES FOR INTERSTATE ACCESS

---

5. SPECIAL ACCESS (Cont'd)

5.6 Rate Regulations (Cont'd)

5.6.14 RESERVED FOR FUTURE USE

---

FACILITIES FOR INTERSTATE ACCESS

---

5. SPECIAL ACCESS (Cont'd)

5.6 Rate Regulations (Cont'd)

5.6.14 RESERVED FOR FUTURE USE

---

FACILITIES FOR INTERSTATE ACCESS

---

5. SPECIAL ACCESS (Cont'd)

5.6 Rate Regulations (Cont'd)

5.6.14 RESERVED FOR FUTURE USE

---

FACILITIES FOR INTERSTATE ACCESS

---

5. SPECIAL ACCESS (Cont'd)

5.6 Rate Regulations (Cont'd)

5.6.14 RESERVED FOR FUTURE USE

---

FACILITIES FOR INTERSTATE ACCESS

---

5. SPECIAL ACCESS (Cont'd)

5.6 Rate Regulations (Cont'd)

5.6.14 RESERVED FOR FUTURE USE

---

FACILITIES FOR INTERSTATE ACCESS

---

5. SPECIAL ACCESS (Cont'd)

5.6 Rate Regulations (Cont'd)

5.6.14 RESERVED FOR FUTURE USE



---

FACILITIES FOR INTERSTATE ACCESS

---

5. SPECIAL ACCESS (Cont'd)

5.6 Rate Regulations (Cont'd)

5.6.14 RESERVED FOR FUTURE USE

---

FACILITIES FOR INTERSTATE ACCESS

---

5. SPECIAL ACCESS (Cont'd)

5.6 Rate Regulations (Cont'd)

5.6.14 RESERVED FOR FUTURE USE

---

FACILITIES FOR INTERSTATE ACCESS

---

5. SPECIAL ACCESS (Cont'd)

5.6 Rate Regulations (Cont'd)

5.6.14 RESERVED FOR FUTURE USE

---

FACILITIES FOR INTERSTATE ACCESS

---

5. SPECIAL ACCESS (Cont'd)

5.6 Rate Regulations (Cont'd)

5.6.14 RESERVED FOR FUTURE USE

---

FACILITIES FOR INTERSTATE ACCESS

---

5. SPECIAL ACCESS (Cont'd)

5.6 Rate Regulations (Cont'd)

5.6.14 RESERVED FOR FUTURE USE

---

FACILITIES FOR INTERSTATE ACCESS

---

5. SPECIAL ACCESS (Cont'd)

5.6 Rate Regulations (Cont'd)

5.6.14 RESERVED FOR FUTURE USE

---

FACILITIES FOR INTERSTATE ACCESS

---

5. SPECIAL ACCESS (Cont'd)

5.6 Rate Regulations (Cont'd)

5.6.14 RESERVED FOR FUTURE USE

---

FACILITIES FOR INTERSTATE ACCESS

---

5. SPECIAL ACCESS (Cont'd)

5.6 Rate Regulations (Cont'd)

5.6.14 RESERVED FOR FUTURE USE (N) Upgrades (Cont'd)



---

FACILITIES FOR INTERSTATE ACCESS

---

5. SPECIAL ACCESS (Cont'd)

5.6 Rate Regulations (Cont'd)

5.6.14 RESERVED FOR FUTURE USE

---

FACILITIES FOR INTERSTATE ACCESS

---

5. SPECIAL ACCESS (Cont'd)

5.6 Rate Regulations (Cont'd)

5.6.14 RESERVED FOR FUTURE USE

---

FACILITIES FOR INTERSTATE ACCESS

---

5. SPECIAL ACCESS (Cont'd)

5.6 Rate Regulations (Cont'd)

5.6.14 RESERVED FOR FUTURE USE

---

FACILITIES FOR INTERSTATE ACCESS

---

5. SPECIAL ACCESS (Cont'd)

5.6 Rate Regulations (Cont'd)

5.6.15 E1 (2.048 Mbps) High Capacity Service#

(A) Minimum Service Periods

E1 (2.048 Mbps) Service is offered under three minimum service periods, each with different rate levels. The minimum service periods are 1, 3 and 5 years. The customer must specify the minimum service period at the time the service is ordered.

The customer may select a longer minimum service period at any time, without penalty or application of nonrecurring charges, to obtain the lower monthly rate associated with a longer minimum service period. When the customer selects this option, he/she will receive full credit for the amount of time that the service was under the shorter minimum period. For example, if a customer ordered a one year minimum service period, then decided after six months to change to a three year minimum service period, the remaining obligation would be a period of 30 months. The new monthly recurring charges will apply beginning with the effective date of the new minimum service period.

(B) Expiration of Minimum Service Period

At the expiration of a minimum service period, the Telephone Company will continue to bill the customer for the same minimum service period rates unless the customer chooses to discontinue or converts to a different minimum service period.

When a customer retains E1 service(s) for the duration of a minimum service period, the termination liabilities expire. As long as the customer makes no physical changes to the configuration of service(s), the customer will no longer be liable for early termination discontinuance charges regardless of the minimum service period rate level.

(C) Discontinuance Without Liability - E1 Minimum Service Period

Reserve For Future Use.

(C)

# Effective November 21, 2017, new subscriptions to E1 (2.048 Mbps) High Capacity Service are no longer permitted. E1 (2.048 Mbps) High Capacity Service customers subscribed as of November 21, 2017 may continue with their existing subscriptions. If at any time an existing customer terminates E1 (2.048 Mbps) High Capacity Service, the customer may not re-subscribe to the plan.

FACILITIES FOR INTERSTATE ACCESS

---

5. SPECIAL ACCESS (Cont'd)

5.6 Rate Regulations (Cont'd)

5.6.15 E1 (2.048 Mbps) High Capacity Service# (Cont'd)

(D) Discontinuance With Liability - E1 Minimum Service Period

When E1 service is discontinued prior to the end of the minimum service period, the customer will be liable for a percentage of the total monthly charges for the remaining portion of the minimum service period. This charge will be based on the rates in effect at the time of disconnect. The customer's total liability is dependent upon the number of months remaining within the year that the service is discontinued times the liability rate for that year plus the total monthly charges for each annual period remaining in the minimum service period times the applicable liability rate. The liability rates for each year of the minimum service period are as follows:

<u>Year in Which Service Is Discontinued</u>	<u>Liability Rate</u>
1	50%
2	35%
3	30%
4	25%
5	20%

For example, if a customer with a five year minimum service period discontinues E1 service after six months within the 4th year, the customer will be liable for 25% of the total monthly charges for six months, and 20% of the total monthly charges for the 5th year.

(E) Notification of Discontinuance

Notice of discontinuance must be given by the customer at least thirty (30) business days prior to actual discontinuance. Monthly charges will apply (C) for a period of thirty (30) business days from the date the Telephone Company receives discontinuance notification or until the requested discontinuance date if longer than 30 business days. (C)

# Service availability limited. Refer to # footnote on Page 5-141.

---

FACILITIES FOR INTERSTATE ACCESS

---

5. SPECIAL ACCESS (Cont'd)

5.6 Rate Regulations (Cont'd)

5.6.16 MetroLAN Special Transport # ##

(A) Description

MetroLAN Special Transport (MetroLAN) provides DS1 and FiberConnect transport between two or more serving wire centers located on a Telephone Company fiber optic ring. MetroLAN transport is provided at a flat-rate per month charge per DS1 or FiberConnect transport facility, per LAN traversed, regardless of the number of miles the circuit is routed on the fiber ring.

(B) Conversion of Existing DS1 Transport

Current DS1 and FiberConnect transport can be replaced by MetroLAN. For DS1 transport associated with a SAL provided under the FiberConnect Optional Payment Plan service, the MetroLAN term selected must be the same as the FiberConnect or DS1 SAL. Where access to MetroLAN is made via a multiplexing arrangement in a central office on the fiber ring (i.e., DS3 to DS1, or Voiceband to DS1), and there is no associated FiberConnect OPP, then the MetroLAN One Year rate will apply. Customers with Month-to-Month DS1 SALs must convert to the One Year MetroLAN Rate.

(C) Term Commitment

When MetroLAN is ordered as part of new DS1 or FiberConnect service, the MetroLAN term must be the same as the term of the SAL portion of the FiberConnect service. Customers with Month-to-Month DS1 SALs must select the One Year MetroLAN term.

## MetroLan Special Transport is reissued matter that was inadvertently omitted from the Interstate Service Guide and Pricelist No 14 during Detariff. The Effective Date of the reissued matter is November 30, 2018.

# Effective November 21, 2017, new subscriptions to MetroLan Special Transport is no longer permitted. MetroLan Special Transport customers subscribed as of November 21, 2017 may continue with their existing subscriptions. If at any time an existing customer terminates MetroLan Special Transport, The customer may not re-subscribe to the plan.

---

FACILITIES FOR INTERSTATE ACCESS

---

5. SPECIAL ACCESS (Cont'd)

5.6 Rate Regulations (Cont'd)

5.6.16 MetroLAN Special Transport# ## (Cont'd)

(D) Discontinuance of Service

If a FiberConnect OPP SAL is discontinued, the MetroLAN portion of the circuit will also be discontinued. Termination liability charges will be assessed as in 5.6.12(F) for the SAL. No additional penalties will be assessed for the MetroLAN portion of the OPP circuit.

If a Month-to-Month DS1 SAL is discontinued, DS1 transport for the MetroLAN transport portion of the circuit is also discontinued.

MetroLAN transport may be converted to standard special access transport rates (i.e., per airline mile) at any time at no charge.

(E) Continuation of Service Off the Ring

MetroLAN DS1 and FiberConnect circuits can be routed any distance on a fiber optic ring. When the DS1 or FiberConnect circuit leaves the ring for continuation on the network, normal tariff rates will be assessed for the portion of the route not on the ring.

(F) Renewal Option

When the MetroLAN term expires, the customer can renew for any term length as long as the new MetroLAN term selected is the same as the SAL portion of the DS1 or FiberConnect service (One Year option for DS1 Month- to-Month services). The SAL and MetroLAN must have the same term for new or renewed DS1 or FiberConnect service.

## Reissued Matter. Refer to ## footnote on Page 5-143

# Service availability limited. Refer to # footnote on Page 5-143.

FACILITIES FOR INTERSTATE ACCESS

---

5. SPECIAL ACCESS (Cont'd)

5.6 Rate Regulations (Cont'd)

5.6.16 MetroLAN Special Transport# (Cont'd)

H) Service Availability (Cont'd)

MetroLAN Name – PLANO

TX	CRTNTXXC	CARROLLTON NORTHEAST	Carrollton/Lewisville
TX	GRLDTXXA	GARLAND – MAIN	
TX	GRLDTXXB	GARLAND – SOUTH	
TX	GRLDTXXC	GARLAND – NORTH	
TX	GRLDTXXE	GARLAND – SOUTHEAST	
TX	PLANTXXA	PLANO MAIN	
TX	PLANTXXB	PLANO WEST	
TX	PLANTXXD	PLANO – NORTHWEST	Carrollton/Lewisville
TX	PLANTXXF	PLANO – CROSSCREEK	
TX	PLANTXXK	PLANO – NORTHWEST	Carrollton/Lewisville
TX	RWLTTXXA	ROWLETT	
TX	WYLITXXA	WYLIE	

## Reissued Matter. Refer to ## footnote on Page 5-143

# Service availability limited. Refer to # footnote on Page 5-143.



FACILITIES FOR INTERSTATE ACCESS

---

5. SPECIAL ACCESS (Cont'd)

5.6 Rate Regulations (Cont'd)

5.6.16 MetroLAN Special Transport# (Cont'd)

(H) Service Availability (Cont'd)

MetroLAN Name – CARROLLTON/LEWISVILLE

<u>State</u>	<u>CLLI</u>	<u>Wire Center</u>	<u>Contiguous Metro LAN</u>
TX	ARGYTXXB	ARGYLE	
TX	CRTNTXXA	CARROLLTON MAIN	
TX	CRTNTXXB	CARROLLTON NORTH	
TX	CRTNTXXC	CARROLLTON NORTHEAST	Plano
TX	CRTNTXXD	CARROLLTON SOUTHEAST	
TX	DNTNTXXA	DENTON	
TX	GRPVTXXA	GRAPEVINE	Irving
TX	LWVLTXXA	LEWISVILLE MAIN	
TX	LWVLTXXB	LEWISVILLE SOUTH	Irving
TX	LWVLTXXC	LEWISVILLE WEST	
TX	LWVLTXXE	LEWISVILLE ROUND GROVE	
TX	PLANTXXD	PLANO NORTHWEST	Plano

## Reissued Matter. Refer to ## footnote on Page 5-143

# Service availability limited. Refer to # footnote on Page 5-143.

FACILITIES FOR INTERSTATE ACCESS

5. SPECIAL ACCESS (Cont'd)

5.6 Rate Regulations (Cont'd)

5.6.16 MetroLAN Special Transport# ##(Cont'd)

(H) Service Availability (Cont'd)

MetroLAN Name –IRVING

<u>State</u>	<u>CLLI</u>	<u>Wire Center</u>	<u>Contiguous Metro LAN</u>
TX	DFIATXXA	DALLAS/ FT. WORTH AIRPORT	
TX	GRPVTXXA	GRAPEVINE	Carrollton/Lewisville
TX	IRNGTXXA	IRVING WEST	
TX	IRNGTXXB	IRVING MAIN	
TX	IRNGTXXC	IRVING EAST	
TX	IRNGTXXD	IRVING SOUTHWEST	
TX	IRNGTXXE	IRVING NORTH	
TX	IRNGTXXF	IRVING WOODBINE	
TX	IRNGTXXG	IRVING WALNUT HILL	
TX	LWVLTXXB	LEWISVILLE SOUTH	Carrollton/Lewisville

MetroLAN Name – BRYAN-COLLEGE STATION

TX	BRYNTXXA	BRYAN MAIN
TX	BRYNTXXB	BRYAN LAKEVIEW
TX	BRYNTXXC	BRYAN STEEP HOLLOW
TX	CLSTTXXA	COLLEGE STATION MAIN
TX	CLSTTXXB	COLLEGE STATION POST OAK WYLIE

## Reissued Matter. Refer to ## footnote on Page 5-143

# Service availability limited. Refer to # footnote on Page 5-143.

FACILITIES FOR INTERSTATE ACCESS

---

5. SPECIAL ACCESS (Cont'd)

5.6 Rate Regulations (Cont'd)

5.6.16 MetroLAN Special Transport# (Cont'd)

(H) Service Availability (Cont'd)

MetroLAN Name – SAN ANGELO

<u>State</u>	<u>CLLI</u>	<u>Wire Center</u>	<u>Contiguous Metro LAN</u>
TX	SANGTXXA	SAN ANGELO MAIN	
TX	SANGTXXB	SAN ANGELO WEST	
TX	SANGTXXG	SAN ANGELO SOUTHEAST	

MetroLAN Name –BAYTOWN

TX	BHCYTXXA	BEACH CITY	
TX	BYTWTXXA	BAYTOWN MAIN	
TX	BYTWTXXB	BAYTOWN WEST	
TX	BYTWTXXC	BAYTOWN NORTH	
TX	HFMNTXXA	HUFFMAN	
TX	MTBLTXXA	MONT BELVIEU	

## Reissued Matter. Refer to ## footnote on Page 5-143

# Service availability limited. Refer to # footnote on Page 5-143.

---

FACILITIES FOR INTERSTATE ACCESS

---

5. SPECIAL ACCESS (Cont'd)

5.6 Rate Regulations (Cont'd)

5.6.17 High Voltage Protection

(A) Description (Cont'd)

High Voltage Protection Service is used at customer locations that may require special equipment to isolate or neutralize Ground Potential Rise (GPR) and/or induced voltage caused by faults in the electric power system. GPR is a voltage difference between two or more ground electrodes caused by earth return currents. GPR on cable facilities can occur, for example, when current from lightning surges flow to ground, but GPR often is associated with voltage generated as the power system fault currents flow to ground. Maximum GPR is developed by the percentage of line-to-ground fault current entering earth through electrode impedance.

This feature will provide high voltage isolation for Special Access telecommunications, while enabling the normal transmission between the Telephone Company wire center and the equipment at the customer's location during GPR environment due to electrical power faults.

(B) Provisioning

The Telephone Company shall determine the proper levels of protection required on its network to isolate or neutralize electrical hazard, based on the information provided by the customer. The customer shall provide the Telephone Company, in writing, the technical data necessary for the Telephone Company to determine the high voltage protection requirements, at the time of application for the initial service, additions to, or changes in the existing service. In addition, the customer shall notify the Telephone Company before making changes in the electric supply that will increase the GPR at the location.

The technical data for the customer's location shall include, but not be limited to, the following:

- ground grid area in square feet
- ground grid impedance in ohms
- X/R ratio at worst case fault location
- GPR in volts MS

---

FACILITIES FOR INTERSTATE ACCESS

---

5. SPECIAL ACCESS (Cont'd)

5.6 Rate Regulations (Cont'd)

5.6.17 High Voltage Protection (Cont'd)

(B) Provisioning (Cont'd)

Based on the customer's technical data provided to the Telephone Company, the Telephone Company will provide the necessary high voltage protection equipment at the Telephone Company's demarcation point on the customer's premises and at the remote drainage location. The placement of the equipment by the Telephone Company shall in no way release the customer of its responsibility for damage, loss or claims caused by electrical hazards resulting from the customer's electric power system. The Telephone Company's liability for damage, loss or claims is set forth under 2.1.3.

The customer may elect to furnish the equipment at its premises to isolate or enutralize the electrical hazard subject to the approval of the Telephone Company; however, such approval by the Telephone Company shall not relieve the customer of its responsibility to install or maintain adequate high voltage equipment. The high voltage protection equipment at the customer's location will be exclusively owned either by the Telephone Company or by the customer.

When the customer provides the high voltage equipment at its premise, the Telephone Company will provide the necessary high voltage equipment at the wire center and remote drainage location. The Telephone Company will be responsible up to and including the network interface for the termination of Special Access Services regardless of ownership of the high voltage protection equipment.

The Telephone Company will inspect and verify adequacy of the high voltage protection equipment when service is established and at such future times as deemed necessary due to additions, deletions, rearrangements, routine maintenance or for the purpose of verifying the adequacy of the high voltage protection equipment.

---

FACILITIES FOR INTERSTATE ACCESS

---

5. SPECIAL ACCESS (Cont'd)

5.6 Rate Regulations (Cont'd)

5.6.17 High Voltage Protection (Cont'd)

(C) Claims and Demands for Damage

In addition to the provisions in Section 2.3.11, the customer shall defend, indemnify and save harmless the Telephone Company from any and all loss, claims, demands, suits or other action or any liability whatsoever, whether suffered, made, instituted or asserted by the customer or by any other party or person, for any personal injury to or death of any person or persons, or for any loss, damage or destruction of any property whether owned by the customer or others, caused or claimed to have been caused directly or indirectly by the installation, operation, failure to operate, maintenance, removal, presence, condition, location or use of such equipment and services associated with high voltage protection equipment furnished by the Telephone Company or with customer equipment when combined or connected with facilities of the Telephone Company.

Services provided by the Telephone Company shall not cause the Telephone Company to become responsible for damage, loss or claims caused by electrical hazards resulting from a customer's electric power system.

(D) Network Outage

Interruptions or outages of services provided to customers may occur for reasons, such as facility damage due to storm loading, vehicle accident, lightning strike, or other acts of God. Circuit failures caused by such events cannot be prevented by services provided in accordance with this service (however, interruptions and service outages due to fault-produced ground potential rise and induction can be minimized). The Telephone Company expressly states that provision of the high voltage equipment cannot prevent such service outages as may normally occur due to the proceeding circumstances. It is the responsibility of the customer to provide sufficient protection to prevent damage caused by such events.

Interruptions or outages due to the effects (GPR and/or induction) of faults in the customer's power generating, transmission and/or distribution system are minimized through the installation and maintenance of high voltage protection equipment which is designed to operate in a fault-produced electrical environment.

---

FACILITIES FOR INTERSTATE ACCESS

---

5. SPECIAL ACCESS (Cont'd)

5.6 Rate Regulations (Cont'd)

5.6.17 High Voltage Protection (Cont'd)

(E) Compliance Statement

If the Telephone Company has provided service where high voltage protection is necessary, by the customer or the customer-provided equipment is nonfunctional or inadequate or the customer fails, upon written notice, to establish or reestablish the required high voltage protection equipment or apply for and obtain such protection from the Telephone Company, or keep the Telephone Company informed of changed high voltage requirements, then the Telephone Company will disconnect service 120 days after giving the notice required, as set forth under Section 2.1.8(A).

(F) Rate Regulations

(1) Minimum Period

The minimum period for High Voltage Protection is one month.

(2) Rate Elements

(a) Initial Common Equipment

A nonrecurring charge and a monthly rate apply for the initial common (basic) equipment used for the physical connection to the network interface. The Initial Common Equipment can accommodate up to eight Special Access facility terminations at a customer's location.

(b) High Voltage Terminating Equipment

High Voltage Terminating Equipment is required for each Special Access facility termination. A nonrecurring charge and a monthly rate for the High Voltage Terminating Equipment apply in addition to the rates and charges for the Special Access facility as well as the associated Special Access Service regulations.

---

FACILITIES FOR INTERSTATE ACCESS

---

5. SPECIAL ACCESS (Cont'd)

5.6 Rate Regulations (Cont'd)

5.6.18 RESERVED FOR FUTURE USE



---

FACILITIES FOR INTERSTATE ACCESS

---

5. SPECIAL ACCESS (Cont'd)

5.6 Rate Regulations (Cont'd)

5.6.18 RESERVED FOR FUTURE USE

FACILITIES FOR INTERSTATE ACCESS

---

5. SPECIAL ACCESS (Cont'd)

5.6 Rate Regulations (Cont'd)

5.6.18 RESERVED FOR FUTURE USE

---

FACILITIES FOR INTERSTATE ACCESS

---

5. SPECIAL ACCESS (Cont'd)

5.6 Rate Regulations (Cont'd)

5.6.18 RESERVED FOR FUTURE USE

---

FACILITIES FOR INTERSTATE ACCESS

---

5. SPECIAL ACCESS (Cont'd)

5.6 Rate Regulations (Cont'd)

5.6.18 RESERVED FOR FUTURE USE

---

FACILITIES FOR INTERSTATE ACCESS

---

5. SPECIAL ACCESS (Cont'd)

5.6 Rate Regulations (Cont'd)

5.6.18 RESERVED FOR FUTURE USE

---

FACILITIES FOR INTERSTATE ACCESS

---

5. SPECIAL ACCESS (Cont'd)

5.6 Rate Regulations (Cont'd)

5.6.18 RESERVED FOR FUTURE USE

---

FACILITIES FOR INTERSTATE ACCESS

---

5. SPECIAL ACCESS (Cont'd)

5.6 Rate Regulations (Cont'd)

5.6.18 RESERVED FOR FUTURE USE

---

FACILITIES FOR INTERSTATE ACCESS

---

5. SPECIAL ACCESS (Cont'd)

5.6 Rate Regulations (Cont'd)

5.6.18 RESERVED FOR FUTURE USE



---

FACILITIES FOR INTERSTATE ACCESS

---

5. SPECIAL ACCESS (Cont'd)

5.6 Rate Regulations (Cont'd)

5.6.18 RESERVED FOR FUTURE USE

---

FACILITIES FOR INTERSTATE ACCESS

---

5. SPECIAL ACCESS (Cont'd)

5.6 Rate Regulations (Cont'd)

5.6.18 RESERVED FOR FUTURE USE

---

FACILITIES FOR INTERSTATE ACCESS

---

5. SPECIAL ACCESS (Cont'd)

5.6 Rate Regulations (Cont'd)

5.6.18 RESERVED FOR FUTURE USE

---

FACILITIES FOR INTERSTATE ACCESS

---

5. SPECIAL ACCESS (Cont'd)

5.6 Rate Regulations (Cont'd)

5.6.18 RESERVED FOR FUTURE USE

---

FACILITIES FOR INTERSTATE ACCESS

---

5. SPECIAL ACCESS (Cont'd)

5.6 Rate Regulations (Cont'd)

5.6.19 RESERVED FOR FUTURE USE

---

FACILITIES FOR INTERSTATE ACCESS

---

5. SPECIAL ACCESS (Cont'd)

5.6 Rate Regulations (Cont'd)

5.6.18 RESERVED FOR FUTURE USE

---

FACILITIES FOR INTERSTATE ACCESS

---

5. SPECIAL ACCESS (Cont'd)

5.6 Rate Regulations (Cont'd)

5.6.19 RESERVED FOR FUTURE USE

---

FACILITIES FOR INTERSTATE ACCESS

---

5. SPECIAL ACCESS (Cont'd)

5.6 Rate Regulations (Cont'd)

5.6.18 RESERVED FOR FUTURE USE



---

FACILITIES FOR INTERSTATE ACCESS

---

5. SPECIAL ACCESS (Cont'd)

5.6 Rate Regulations (Cont'd)

5.6.19 RESERVED FOR FUTURE USE

---

FACILITIES FOR INTERSTATE ACCESS

---

5. SPECIAL ACCESS (Cont'd)

5.6 Rate Regulations (Cont'd)

5.6.18 RESERVED FOR FUTURE USE

---

FACILITIES FOR INTERSTATE ACCESS

---

5. SPECIAL ACCESS (Cont'd)

5.6 Rate Regulations (Cont'd)

5.6.18 RESERVED FOR FUTURE USE

FACILITIES FOR INTERSTATE ACCESS

---

5. SPECIAL ACCESS (Cont'd)

5.7 Rates and Charges

5.7.1 Nonrecurring Charges

Special Access Ordering Charges

<u>Jurisdiction</u>	<u>Design Change Per ASR/Per Occurrence</u>	
Texas		
All Price Bands	\$1,521.89	(C)

FACILITIES FOR INTERSTATE ACCESS

---

5. SPECIAL ACCESS (Cont'd)

5.7 Rates and Charges (Cont'd)

5.7.2 Voiceband Facilities

(A) Standard Arrangements

<u>Jurisdiction</u>	<u>Special Access Line (End User CDL)</u>			
	<u>Nonrecurring Charge</u>	<u>Two Wire Monthly Rate</u>	<u>Four Wire Monthly Rate</u>	
Texas All Price Bands	\$2,916.94	\$ 395.57	\$ 625.40	(C)

<u>Jurisdiction</u>	<u>Special Transport Per Airline Mile Monthly Rate</u>	<u>Special Access Line (IC CDL)</u>			
		<u>Nonrecurring Charge</u>	<u>Two Wire Monthly Rate</u>	<u>Four Wire Monthly Rate</u>	
Texas All Price Bands	\$71.24	\$2,916.94	\$395.57	\$625.40	(C)

FACILITIES FOR INTERSTATE ACCESS

---

5. SPECIAL ACCESS (Cont'd)

5.7 Rates and Charges (Cont'd)

5.7.2 Voiceband Facilities (Cont'd)

(B) Optional Arrangements

Supplemental Features

<u>Jurisdiction</u>	Multipoint Data Bridging (Per Port) Monthly <u>Rate</u>	Voice Conference Bridging (Per Port) Monthly <u>Rate</u>
Texas		
Price Band A	9.60	9.60
Price Band A	9.60	9.60
Price Band A	9.60	9.60

FACILITIES FOR INTERSTATE ACCESS

---

5. SPECIAL ACCESS (Cont'd)

5.7 Rates and Charges (Cont'd)

5.7.2 Voiceband Facilities (Cont'd)

(B) Optional Arrangements (Cont'd)

Supplemental Features  
Alarm Distribution Bridging

<u>Jurisdiction</u>	Common Equipment Monthly <u>Rate</u>	Per Two Wire Port Monthly <u>Rate</u>
Texas		
Price Band A	36.00	2.40
Price Band B	36.00	2.40
Price Band C	36.00	2.40

FACILITIES FOR INTERSTATE ACCESS

---

5. SPECIAL ACCESS (Cont'd)

5.7 Rates and Charges (Cont'd)

5.7.2 Voiceband Facilities (Cont'd)

(B) Optional Arrangements (Cont'd)

	<u>Supplemental Features</u> <u>Conditioning Arrangements-Data</u>	
<u>Jurisdiction</u>	Type C Monthly Rate	Type DA Monthly Rate
Texas		
Price Bands, A, B and C	1.80	2.40

	<u>Supplemental Features</u> <u>Conditioning Arrangements-Data</u>	
<u>Jurisdiction</u>	Type C - Improved Monthly Rate	
Texas		
Price Bands, A, B and C	36.00	



FACILITIES FOR INTERSTATE ACCESS

---

5. SPECIAL ACCESS (Cont'd)

5.7 Rates and Charges (Cont'd)

5.7.2 Voiceband Facilities (Cont'd)

(B) Optional Arrangements (Cont'd)

Supplemental Features  
Signaling Arrangement

<u>Jurisdiction</u>	Loop Signaling Range Extension, per SAL Monthly <u>Rate</u>	Loop or E&M to SF, per SAL Monthly <u>Rate</u>
Texas		
Price Bands, A, B and C	12.00	19.20

<u>Jurisdiction</u>	E&M to DX, per SAL Monthly <u>Rate</u>	E&M to Loop, per SAL Monthly <u>Rate</u>
Texas		
Price Bands, A, B and C	16.80	14.40

FACILITIES FOR INTERSTATE ACCESS

---

5. SPECIAL ACCESS (Cont'd)

5.7 Rates and Charges (Cont'd)

5.7.2 Voiceband Facilities (Cont'd)

(B) Optional Arrangements (Cont'd)

Supplemental Features  
Signaling Arrangement

<u>Jurisdiction</u>	Loop or E&M To PCM, per SAL Monthly <u>Rate</u>	Automatic Ringdown, per SAL Monthly <u>Rate</u>
Texas Price Bands, A, B and C	4.80	12.00

FACILITIES FOR INTERSTATE ACCESS

---

5. SPECIAL ACCESS (Cont'd)

5.7 Rates and Charges (Cont'd)

5.7.2 Voiceband Facilities (Cont'd)

(B) Optional Arrangements (Cont'd)

Supplemental Features

Echo Control

<u>Jurisdiction</u>	Echo Suppression, per circuit* Monthly <u>Rate</u>	Echo Cancellor, per circuit Monthly <u>Rate</u>
Texas Price Bands, A, B and C	36.00	102.00

\* Obsolete and is applicable only to circuits so equipped prior to January 1, 1987.

---

FACILITIES FOR INTERSTATE ACCESS

---

5. SPECIAL ACCESS (Cont'd)

5.7 Rates and Charges (Cont'd)

5.7.2 Voiceband Facilities (Cont'd)

(B) Optional Arrangements (Cont'd)

Supplemental Features

Voiceband Facility

Switching Arrangement

<u>Jurisdiction</u>	<u>Monthly Rate</u>
---------------------	---------------------

Texas	
Price Bands, A, B and C	8.40

FACILITIES FOR INTERSTATE ACCESS

---

5. SPECIAL ACCESS (Cont'd)

5.7 Rates and Charges (Cont'd)

5.7.2 Voiceband Facilities (Cont'd)

(B) Optional Arrangements (Cont'd)

Supplemental Features

<u>Jurisdiction</u>	Improved Return Loss, per SAL Monthly <u>Rate</u>	Improved Termination Option, per SAL Monthly <u>Rate</u>
Texas Price Bands, A, B and C	4.50	12.00

<u>Jurisdiction</u>	Improved Equal Level Echo Path Loss, per SAL Monthly <u>Rate</u>
Texas Price Bands, A, B and C	4.50

FACILITIES FOR INTERSTATE ACCESS

---

5. SPECIAL ACCESS (Cont'd)

5.7 Rates and Charges (Cont'd)

5.7.3 Program Audio Facilities#

(A) Standard Arrangements (200-3500 Hz)

		Special Access Line (End User CDL)		
<u>Jurisdiction</u>		<u>Nonrecurring Charge</u>	<u>Monthly Rate</u>	<u>Daily Rate</u>
Texas				
	Competitive	250.00	36.58	3.66

		Special Transport Per Airline Mile		Special Access Line (IC CDL)		
<u>Jurisdiction</u>		<u>Monthly</u>	<u>Daily</u>	<u>Nonrecurring Charge</u>	<u>Monthly Rate</u>	<u>Daily Rate</u>
Texas						
	Price Band A	13.80	1.38	250.00	30.50	3.05
	Price Band B	13.80	1.38	250.00	30.50	3.05
	Price Band C	13.80	1.38	250.00	30.50	3.05

# Service availability limited. Refer to # footnote on Page 5-18.

FACILITIES FOR INTERSTATE ACCESS

5. SPECIAL ACCESS (Cont'd)

5.7 Rates and Charges (Cont'd)

5.7.3 Program Audio Facilities# (Cont'd)

(B) Standard Arrangements (100-5000 Hz)

		Special Access Line (End User CDL)		
<u>Jurisdiction</u>		<u>Nonrecurring Charge</u>	<u>Monthly Rate</u>	<u>Daily Rate</u>
Texas				
	Competitive	250.00	36.58	3.66

		Special Transport Per Airline Mile		Special Access Line (IC CDL)		
<u>Jurisdiction</u>		<u>Monthly</u>	<u>Daily</u>	<u>Nonrecurring Charge</u>	<u>Monthly Rate</u>	<u>Daily Rate</u>
Texas						
	Price Band A	13.80	1.38	250.00	30.50	3.05
	Price Band B	13.80	1.38	250.00	30.50	3.05
	Price Band C	13.80	1.38	250.00	30.50	3.05

# Service availability limited. Refer to # footnote on Page 5-18.

FACILITIES FOR INTERSTATE ACCESS

---

5 SPECIAL ACCESS (Cont'd)

5.7 Rates and Charges (Cont'd)

5.7.3 Program Audio Facilities# (Cont'd)

(C) Standard Arrangements (50-8000 Hz)

<u>Jurisdiction</u>	Special Access Line (End User CDL)		
	<u>Nonrecurring Charge</u>	<u>Monthly Rate</u>	<u>Daily Rate</u>
Texas			
Competitive		250.00	36.58
3.66			

<u>Jurisdiction</u>	Special Transport Per Airline Mile		Special Access Line (IC CDL)		
	<u>Monthly</u>	<u>Daily</u>	<u>Nonrecurring Charge</u>	<u>Monthly Rate</u>	<u>Daily Rate</u>
Texas					
Price Band A	13.80	1.38	250.00	30.50	3.05
Price Band B	13.80	1.38	250.00	30.50	3.05
Price Band C	13.80	1.38	250.00	30.50	3.05

# Service availability limited. Refer to # footnote on Page 5-18.



FACILITIES FOR INTERSTATE ACCESS

---

5. SPECIAL ACCESS (Cont'd)

5.7 Rates and Charges (Cont'd)

5.7.3 Program Audio Facilities# (Cont'd)

(D) Standard Arrangements (50-15000 Hz)

<u>Jurisdiction</u>	Special Access Line (End User CDL)		
	<u>Nonrecurring Charge</u>	<u>Monthly Rate</u>	<u>Daily Rate</u>
Texas			
Competitive	250.00	36.58	3.66

<u>Jurisdiction</u>	Special Transport Per Airline Mile		Special Access Line (IC CDL)		
	<u>Monthly</u>	<u>Daily</u>	<u>Nonrecurring Charge</u>	<u>Monthly Rate</u>	<u>Daily Rate</u>
Texas					
Price Band A	13.80	1.38	250.00	30.50	3.05
Price Band B	13.80	1.38	250.00	30.50	3.05
Price Band C	13.80	1.38	250.00	30.50	3.05

# Service availability limited. Refer to # footnote on Page 5-18.

FACILITIES FOR INTERSTATE ACCESS

---

5. SPECIAL ACCESS (Cont'd)

5.7 Rates and Charges (Cont'd)

5.7.3 Program Audio Facilities# (Cont'd)

(E) Optional Arrangements (50-15000 Hz Facilities only)

Supplemental Features

Conditioning - Program Audio  
Stereo Conditioning, per occurrence

<u>Jurisdiction</u>	<u>Monthly Rate</u>	<u>Daily Rate</u>
Texas		
Price Bands A, B and C	1.00	.10

Program Audio Bridging (Per Port)

<u>Jurisdiction</u>	<u>Monthly Rate</u>	<u>Daily Rate</u>
Texas		
Price Bands A, B and C	1.00	.10

# Service availability limited. Refer to # footnote on Page 5-18.

FACILITIES FOR INTERSTATE ACCESS

---

5. SPECIAL ACCESS (Cont'd)

5.7 Rates and Charges (Cont'd)

5.7.3 Program Audio Facilities# (Cont'd)

(E) Optional Arrangements (50-15000 Hz Facilities only) (Cont'd)

Supplemental Features

Conditioning - Program Audio

Conditioning Program Audio -Zero Loss, per SAL

<u>Jurisdiction</u>	<u>Monthly Rate</u>	<u>Daily Rate</u>
Texas		
Price Bands A, B and C	12.00	1.20

# Service availability limited. Refer to # footnote on Page 5-18.

---

FACILITIES FOR INTERSTATE ACCESS

---

5. SPECIAL ACCESS (Cont'd)

5.7 Rates and Charges (Cont'd)

5.7.4 Video Facilities

---

FACILITIES FOR INTERSTATE ACCESS

---

5. SPECIAL ACCESS (Cont'd)

5.7 Rates and Charges (Cont'd)

5.7.4 Video Facilities (Cont'd)

(B) Video Digital Transport Service - Type II

---

FACILITIES FOR INTERSTATE ACCESS

---

5. SPECIAL ACCESS (Cont'd)

5.7 Rates and Charges (Cont'd)

5.7.4 Video Facilities (Cont'd)

(B) Video Digital Transport Service - Type II (Cont'd)

(1) Standard Arrangements (Cont'd)

(b) 270 Mbps Service

---

FACILITIES FOR INTERSTATE ACCESS

---

5. SPECIAL ACCESS (Cont'd)

5.7 Rates and Charges (Cont'd)

5.7.4 Video Facilities (Cont'd)

(B) Video Digital Transport Service - Type II (Cont'd)

(1) Standard Arrangements (Cont'd)

(b) 270 Mbps Service (Cont'd)

FACILITIES FOR INTERSTATE ACCESS

---

5. SPECIAL ACCESS (Cont'd)

5.7 Rates and Charges (Cont'd)

5.7.4 Video Facilities (Cont'd)

(B) Video Digital Transport Service - Type II (Cont'd)

(1) Standard Arrangements (Cont'd)

(b) 270 Mbps Service (Cont'd)

(4) Transport

<u>Jurisdiction</u>	<u>Per Mile</u>	<u>Fixed Per Each 20 miles</u>
Texas	NA	NA



---

FACILITIES FOR INTERSTATE ACCESS

---

5. SPECIAL ACCESS (Cont'd)

5.7 Rates and Charges (Cont'd)

5.7.4 Video Facilities (Cont'd)

(B) Video Digital Transport Service - Type II (Cont'd)

(1) Standard Arrangements (Cont'd)

(c) TV1-Analog

---

FACILITIES FOR INTERSTATE ACCESS

---

5. SPECIAL ACCESS (Cont'd)

5.7 Rates and Charges (Cont'd)

5.7.4 Video Facilities (Cont'd)

(B) Video Digital Transport Service - Type II (Cont'd)

(1) Standard Arrangements (Cont'd)

(c) TV1-Analog (Cont'd)

FACILITIES FOR INTERSTATE ACCESS

---

5. SPECIAL ACCESS (Cont'd)

5.7 Rates and Charges (Cont'd)

5.7.4 Video Facilities (Cont'd)

(B) Video Digital Transport Service - Type II (Cont'd)

(1) Standard Arrangements (Cont'd)

(c) TV1-Analog (Cont'd)

(4) Transport

<u>Jurisdiction</u>	<u>Per Mile</u>	<u>Fixed Per Each 20 miles</u>
Texas	17.25	49.75

FACILITIES FOR INTERSTATE ACCESS

---

5. SPECIAL ACCESS (Cont'd)

5.7 Rates and Charges (Cont'd)

5.7.4 Video Facilities (Cont'd)

(B) Video Digital Transport Service - Type II (Cont'd)

(2) Optional Features

(a) 270 Mbps

(1) Audio

Per Pair of Stereo Channels

<u>Jurisdiction</u>	<u>Monthly</u>		<u>Daily</u>	
	<u>NRC</u>	<u>MRC</u>	<u>NRC</u>	<u>MRC</u>
Texas	NA	NA	NA	NA

(2) Alternate Switching - Manual

<u>Jurisdiction</u>	<u>Per Event</u>
Texas	NA

FACILITIES FOR INTERSTATE ACCESS

---

5. SPECIAL ACCESS (Cont'd)

5.7 Rates and Charges (Cont'd)

5.7.4 Video Facilities (Cont'd)

(B) Video Digital Transport Service - Type II (Cont'd)

(2) Optional Features (Cont'd)

(a) 270 Mbps (Cont'd)

(3) Conversions

<u>Jurisdiction</u>	<u>Hourly*</u>	<u>Codec Conversion</u>			<u>Format Conversion</u>	
		<u>Daily*</u>	<u>Weekly*</u>	<u>Monthly</u>	<u>Hourly</u>	
Texas	NA	NA	NA	NA	NA	

(4) Interhub Arrangement

<u>Jurisdiction</u>	<u>NRC</u>	<u>Port</u>	<u>MRC</u>	<u>Transport Per Mile</u>

FACILITIES FOR INTERSTATE ACCESS

---

5. SPECIAL ACCESS (Cont'd)

5.7 Rates and Charges (Cont'd)

5.7.4 Video Facilities (Cont'd)

(B) Video Digital Transport Service - Type II (Cont'd)

(2) Optional Features (Cont'd)

(b) TV1-Analog

(1) Additional Audio Channels (Maximum 2)

<u>Jurisdiction</u>	<u>NRC</u>	<u>MRC</u>	<u>Daily Rate</u>
Texas	100.00	16.50	2.50

(2) Alternate Switching, Manual

<u>Jurisdiction</u>	<u>Per Event</u>
Texas	20.00

(3) Conversions

<u>Jurisdiction</u>	<u>Codec Conversion</u>				<u>Format Conversion</u>
	<u>Hourly*</u>	<u>Daily*</u>	<u>Weekly*</u>	<u>Monthly</u>	<u>Hourly</u>
Texas	NA	NA	NA	NA	NA

(4) Interhub Arrangement

<u>Jurisdiction</u>	<u>NRC</u>	<u>Port</u>	<u>MRC</u>	<u>Transport Per Mile</u>
Texas			NA	NA

\* Applies to continuous usage.

---

FACILITIES FOR INTERSTATE ACCESS

---

5. SPECIAL ACCESS (Cont'd)

5.7 Rates and Charges (Cont'd)

5.7.4 Video Facilities (Cont'd)

(B) Video Digital Transport Service - Type II (Cont'd)

(3) Term Commitment Plan (TCP)

---

FACILITIES FOR INTERSTATE ACCESS

---

5. SPECIAL ACCESS (Cont'd)

5.7 Rates and Charges (Cont'd)

5.7.4 Video Facilities (Cont'd)

(B) Video Digital Transport Service - Type II (Cont'd)

(3) Term Commitment Plan (TCP) (Cont'd)

(b) 270 Mbps Service



---

FACILITIES FOR INTERSTATE ACCESS

---

5. SPECIAL ACCESS (Cont'd)

5.7 Rates and Charges (Cont'd)

5.7.4 Video Facilities (Cont'd)

(B) Video Digital Transport Service - Type II (Cont'd)

(3) Term Commitment Plan (TCP) (Cont'd)

(b) 270 Mbps Service (Cont'd)

---

FACILITIES FOR INTERSTATE ACCESS

---

5. SPECIAL ACCESS (Cont'd)

5.7 Rates and Charges (Cont'd)

5.7.4 Video Facilities (Cont'd)

(B) Video Digital Transport Service - Type II (Cont'd)

(3) Term Commitment Plan (TCP) (Cont'd)

(b) 270 Mbps Service (Cont'd)

---

FACILITIES FOR INTERSTATE ACCESS

---

5. SPECIAL ACCESS (Cont'd)

5.7 Rates and Charges (Cont'd)

5.7.4 Video Facilities (Cont'd)

(B) Video Digital Transport Service - Type II (Cont'd)

(3) Term Commitment Plan (TCP) (Cont'd)

(b) 270 Mbps Service (Cont'd)

---

FACILITIES FOR INTERSTATE ACCESS

---

5. SPECIAL ACCESS (Cont'd)

5.7 Rates and Charges (Cont'd)

5.7.4 Video Facilities (Cont'd)

(B) Video Digital Transport Service - Type II (Cont'd)

(3) Term Commitment Plan (TCP) (Cont'd)

(b) 270 Mbps Service (Cont'd)

---

FACILITIES FOR INTERSTATE ACCESS

---

5. SPECIAL ACCESS (Cont'd)

5.7 Rates and Charges (Cont'd)

5.7.4 Video Facilities (Cont'd)

(B) Video Digital Transport Service - Type II (Cont'd)

(3) Term Commitment Plan (TCP) (Cont'd)

(b) 270 Mbps Service (Cont'd)

---

FACILITIES FOR INTERSTATE ACCESS

---

5. SPECIAL ACCESS (Cont'd)

5.7 Rates and Charges (Cont'd)

5.7.4 Video Facilities (Cont'd)

(B) Video Digital Transport Service - Type II (Cont'd)

(3) Term Commitment Plan (TCP) (Cont'd)

(b) 270 Mbps Service (Cont'd)

---

FACILITIES FOR INTERSTATE ACCESS

---

5. SPECIAL ACCESS (Cont'd)

5.7 Rates and Charges (Cont'd)

5.7.4 Video Facilities (Cont'd)

(B) Video Digital Transport Service - Type II (Cont'd)

(3) Term Commitment Plan (TCP) (Cont'd)

(b) 270 Mbps Service (Cont'd)

---

FACILITIES FOR INTERSTATE ACCESS

---

5. SPECIAL ACCESS (Cont'd)

5.7 Rates and Charges (Cont'd)

5.7.4 Video Facilities (Cont'd)

(B) Video Digital Transport Service - Type II (Cont'd)

(3) Term Commitment Plan (TCP) (Cont'd)

(b) 270 Mbps Service (Cont'd)



---

FACILITIES FOR INTERSTATE ACCESS

---

5. SPECIAL ACCESS (Cont'd)

5.7 Rates and Charges (Cont'd)

5.7.4 Video Facilities (Cont'd)

(B) Video Digital Transport Service - Type II (Cont'd)

(3) Term Commitment Plan (TCP) (Cont'd)

(b) 270 Mbps Service (Cont'd)

FACILITIES FOR INTERSTATE ACCESS

---

5. SPECIAL ACCESS (Cont'd)

5.7 Rates and Charges (Cont'd)

5.7.4 Video Facilities (Cont'd)

(B) Video Digital Transport Service - Type II (Cont'd)

(3) Term Commitment Plan (TCP) (Cont'd)

(b) 270 Mbps Service (Cont'd)

(4) Transport

<u>Jurisdiction</u>	<u>1 Year</u>		<u>2 Years</u>	
	<u>Per Mile</u>	<u>Fixed Per Each 20 miles</u>	<u>Per Mile</u>	<u>Fixed Per Each 20 miles</u>
Texas	NA	NA	NA	NA

<u>Jurisdiction</u>	<u>3 Years</u>		<u>5 Years</u>	
	<u>Per Mile</u>	<u>Fixed Per Each 20 miles</u>	<u>Per Mile</u>	<u>Fixed Per Each 20 miles</u>
Texas	NA	NA	NA	NA

---

FACILITIES FOR INTERSTATE ACCESS

---

5. SPECIAL ACCESS (Cont'd)

5.7 Rates and Charges (Cont'd)

5.7.4 Video Facilities (Cont'd)

(B) Video Digital Transport Service - Type II (Cont'd)

(3) Term Commitment Plan (TCP) (Cont'd)

(c) TV1-Analog

---

FACILITIES FOR INTERSTATE ACCESS

---

5. SPECIAL ACCESS (Cont'd)

5.7 Rates and Charges (Cont'd)

5.7.4 Video Facilities (Cont'd)

(B) Video Digital Transport Service - Type II (Cont'd)

(3) Term Commitment Plan (TCP) (Cont'd)

(c) TV1-Analog (Cont'd)

---

FACILITIES FOR INTERSTATE ACCESS

---

5. SPECIAL ACCESS (Cont'd)

5.7 Rates and Charges (Cont'd)

5.7.4 Video Facilities (Cont'd)

(B) Video Digital Transport Service - Type II (Cont'd)

(3) Term Commitment Plan (TCP) (Cont'd)

(c) TV1-Analog (Cont'd)

---

FACILITIES FOR INTERSTATE ACCESS

---

5. SPECIAL ACCESS (Cont'd)

5.7 Rates and Charges (Cont'd)

5.7.4 Video Facilities (Cont'd)

(B) Video Digital Transport Service - Type II (Cont'd)

(3) Term Commitment Plan (TCP) (Cont'd)

(c) TV1-Analog (Cont'd)

---

FACILITIES FOR INTERSTATE ACCESS

---

5. SPECIAL ACCESS (Cont'd)

5.7 Rates and Charges (Cont'd)

5.7.4 Video Facilities (Cont'd)

(B) Video Digital Transport Service - Type II (Cont'd)

(3) Term Commitment Plan (TCP) (Cont'd)

(c) TV1-Analog (Cont'd)

FACILITIES FOR INTERSTATE ACCESS

---

5. SPECIAL ACCESS (Cont'd)

5.7 Rates and Charges (Cont'd)

5.7.4 Video Facilities (Cont'd)

(B) Video Digital Transport Service - Type II (Cont'd)

(3) Term Commitment Plan (TCP) (Cont'd)

(c) TV1-Analog (Cont'd)

(4) Transport (Cont'd)

<u>Jurisdiction</u>	<u>1 Year</u>	
	<u>Per Mile</u>	<u>Fixed Per Each 20 miles</u>
Texas	16.75	47.75

<u>Jurisdiction</u>	<u>2 Years</u>	
	<u>Per Mile</u>	<u>Fixed Per Each 20 miles</u>
Texas	16.25	45.75

<u>Jurisdiction</u>	<u>3 Years</u>	
	<u>Per Mile</u>	<u>Fixed Per Each 20 miles</u>
Texas	15.75	43.75

<u>Jurisdiction</u>	<u>5 Years</u>	
	<u>Per Mile</u>	<u>Fixed Per Each 20 miles</u>
Texas	15.25	41.75



---

FACILITIES FOR INTERSTATE ACCESS

---

5. SPECIAL ACCESS (Cont'd)

5.7 Rates and Charges (Cont'd)

5.7.4 Video Facilities (Cont'd)

(B) Video Digital Transport Service - Type II (Cont'd)

(4) Short Duration Offerings - Daily Rates (Cont'd)

(a) 270 Mbps (Cont'd)

FACILITIES FOR INTERSTATE ACCESS

---

5. SPECIAL ACCESS (Cont'd)

5.7 Rates and Charges (Cont'd)

5.7.4 Video Facilities (Cont'd)

(B) Video Digital Transport Service - Type II (Cont'd)

(4) Short Duration Offerings - Daily Rates (Cont'd)

(a) 270 Mbps (Cont'd)

(4) Transport for Daily Video Usage

<u>Jurisdiction</u>	<u>Per Mile, Daily</u>	<u>Fixed Per 20 Miles, Daily</u>
Texas	NA	NA

---

FACILITIES FOR INTERSTATE ACCESS

---

5. SPECIAL ACCESS (Cont'd)

5.7 Rates and Charges (Cont'd)

5.7.4 Video Facilities (Cont'd)

(B) Video Digital Transport Service - Type II (Cont'd)

(4) Short Duration Offerings - Daily Rates (Cont'd)

(a) TV1-Analog

FACILITIES FOR INTERSTATE ACCESS

---

5. SPECIAL ACCESS (Cont'd)

5.7 Rates and Charges (Cont'd)

5.7.4 Video Facilities (Cont'd)

(B) Video Digital Transport Service - Type II (Cont'd)

(4) Short Duration Offerings - Daily Rates (Cont'd)

(a) TV1-Analog (Cont'd)

(4) Transport for Daily Video Usage

<u>Jurisdiction</u>	<u>Per Mile, Daily</u>	<u>Fixed Per 20 Miles, Daily</u>
Texas	17.25	49.75

FACILITIES FOR INTERSTATE ACCESS

---

5. SPECIAL ACCESS (Cont'd)

5.7 Rates and Charges (Cont'd)

5.7.5 Digital Data Service Facilities  
(2.4, 4.8, 9.6, 19.2, 56, 64 Kbps)

(A) Standard Arrangements

Special Access Line (End User CDL)

<u>Jurisdiction</u>	<u>All Speeds Nonrecurring Charge</u>	<u>2.4, 4.8, 9.6, 19.2, 56, 64 Kbps Monthly Rate</u>	
Texas			
All Price Bands	3,646.18	1,572.29	(C)

FACILITIES FOR INTERSTATE ACCESS

---

5. SPECIAL ACCESS (Cont'd)

5.7 Rates and Charges (Cont'd)

5.7.5 Digital Data Service Facilities (Cont'd)  
(2.4, 4.8, 9.6, 19.2, 56, 64 Kbps)

(A) Standard Arrangements (Cont'd)

(B)

<u>Jurisdiction</u>	<u>Special Transport Per Airline Mile Monthly Rate</u>	<u>Special Access Line (IC CDL) Nonrecurring Charge</u>	<u>Two &amp; Four Wire Monthly Rate</u>	
Texas				
All Price Bands	72.24	2,916.94	1,572.29	(C)

FACILITIES FOR INTERSTATE ACCESS

---

5. SPECIAL ACCESS (Cont'd)

5.7 Rates and Charges (Cont'd)

5.7.5 Digital Data Service Facilities (Cont'd)  
(2.4, 4.8, 9.6, 19.2, 56, 64 Kbps)

(B) DDS Optional Payment Plan#

<u>Jurisdiction</u>	<u>All Speeds Nonrecurring Charge</u>	<u>Special Access Line (End User CDL) 2.4, 4.8, 9.6, 19.2 Kbps Monthly Rates</u>		
		<u>1 Year MRC</u>	<u>3 Year MRC</u>	<u>5 Year MRC</u>
Texas				
Price Band A	0.00	74.00	64.00	63.50
Price Band B	0.00	74.00	64.00	63.50
Price Band C	0.00	74.00	64.00	63.50

# DDS Optional Payment Plan Rates are no longer permitted. DDS Optional Payment Plan Rates in effect as of November 19, 2021 may continue the existing term but will not be eligible to extend, renew, reenroll in, convert to a new term period, or in any other way continue their existing plan beyond its current expiration. At expiration of the term the service will convert to the Month to Month Rate. If at any time an existing customer terminates its DDS Optional Payment Plan Rates, the customer may not re-subscribe to the rate.

FACILITIES FOR INTERSTATE ACCESS

---

5. SPECIAL ACCESS (Cont'd)

5.7 Rates and Charges (Cont'd)

5.7.5 Digital Data Service Facilities (Cont'd)  
(2.4, 4.8, 9.6, 19.2, 56, 64 Kbps)

(B) DDS Optional Payment Plan# (Cont'd)

<u>Jurisdiction</u>	<u>All Speeds Nonrecurring Charge</u>	<u>Special Access Line (IC CDL)</u> 2.4, 4.8, 9.6, 19.2 Kbps Monthly Rates		
		<u>1 Year MRC</u>	<u>3 Year MRC</u>	<u>5 Year MRC</u>
Texas				
Price Band A	0.00	74.00	64.00	63.50
Price Band B	0.00	74.00	64.00	63.50
Price Band C	0.00	74.00	64.00	63.50

# See Footnote on Page 5-103



FACILITIES FOR INTERSTATE ACCESS

---

5. SPECIAL ACCESS (Cont'd)

5.7 Rates and Charges (Cont'd)

5.7.5 Digital Data Service Facilities (Cont'd)  
(2.4, 4.8, 9.6, 19.2, 56, 64 Kbps)

(B) DDS Optional Payment Plan# (Cont'd)

<u>Jurisdiction</u>	Special Access Line (End User CDL) 56, 64 Kbps Monthly Rates		
	<u>1 Year MRC</u>	<u>3 Year MRC</u>	<u>5 Year MRC</u>
Texas			
Price Band A	94.00	84.00	80.60
Price Band B	94.00	84.00	80.60
Price Band B	94.00	84.00	80.60

# See Footnote on Page 5-103

FACILITIES FOR INTERSTATE ACCESS

---

5. SPECIAL ACCESS (Cont'd)

5.7 Rates and Charges (Cont'd)

5.7.5 Digital Data Service Facilities (Cont'd)  
(2.4, 4.8, 9.6, 19.2, 56, 64 Kbps)

(B) DDS Optional Payment Plan# (Cont'd)

<u>Jurisdiction</u>	Special Access Line (IC CDL) 56, 64 Kbps Monthly Rates		
	<u>1 Year MRC</u>	<u>3 Year MRC</u>	<u>5 Year MRC</u>
Texas			
Price Band A	94.00	84.00	80.60
Price Band B	94.00	84.00	80.60
Price Band B	94.00	84.00	80.60

# See Footnote on Page 5-103

FACILITIES FOR INTERSTATE ACCESS

---

5. SPECIAL ACCESS (Cont'd)

5.7 Rates and Charges (Cont'd)

5.7.5 Digital Data Service Facilities (Cont'd)  
(2.4, 4.8, 9.6, 19.2, 56, 64 Kbps)

(C) Optional Arrangements

<u>Jurisdiction</u>	<u>Supplemental Features</u>	
	<u>DDS Bridging (Per Port) Monthly Rate</u>	<u>Secondary Channel Monthly Rate</u>

Texas

Price Bands A, B, and C	11.00	7.00
----------------------------	-------	------

FACILITIES FOR INTERSTATE ACCESS

---

5. SPECIAL ACCESS (Cont'd)

5.7 Rates and Charges (Cont'd)

5.7.6 Multiplexing Arrangements

<u>Jurisdiction</u>	<u>DS1 to Voice</u> Nonrecurring <u>Charge</u>	<u>Monthly</u> <u>Rate</u>	
Texas			
All Price Bands	9,334.14	2,922.50	(C)

FACILITIES FOR INTERSTATE ACCESS

---

5. SPECIAL ACCESS (Cont'd)

5.7 Rates and Charges (Cont'd)

5.7.6 Multiplexing Arrangements (Cont'd)

<u>Jurisdiction</u>	<u>DS3 to DS1 and/or E1**</u>		
	<u>Nonrecurring Charge</u>	<u>Monthly Rate</u>	
Texas			
Price Bands	5,250.46	6,515.34	(C)

\*\* Where E1 service is available.

FACILITIES FOR INTERSTATE ACCESS

---

5. SPECIAL ACCESS (Cont'd)

5.7 Rates and Charges (Cont'd)

5.7.6 Multiplexing Arrangements (Cont'd)

<u>Jurisdiction</u>	<u>Digital Data Carrier Multiplexer</u>		
	<u>Nonrecurring Charge</u>	<u>Monthly Rate</u>	
Texas			
All Price Bands	\$17,501.51	\$3,208.62	(C)

FACILITIES FOR INTERSTATE ACCESS

---

5. SPECIAL ACCESS (Cont'd)

5.7 Rates and Charges (Cont'd)

5.7.6 Multiplexing Arrangements (Cont'd)

<u>Jurisdiction</u>	<u>Digital Data Subrate Multiplexer</u>				
	<u>One DSO to Twenty 2.4 Kbps</u>		<u>One DSO to Ten 4.8 Kbps</u>		
	<u>Nonrecurring Charge</u>	<u>Monthly Rate</u>	<u>Nonrecurring Charge</u>	<u>Monthly Rate</u>	
Texas					
All Price Bands	\$9,334.14	\$1,866.83	\$9,334.14	\$1,400.11	(C)

FACILITIES FOR INTERSTATE ACCESS

---

5. SPECIAL ACCESS (Cont'd)

5.7 Rates and Charges (Cont'd)

5.7.6 Multiplexing Arrangements (Cont'd)

Digital Data Subrate Multiplexer  
One DSO Port to Five 9.6 Kbps

<u>Jurisdiction</u>	<u>Nonrecurring Charge</u>	<u>Monthly Rate</u>	
Texas			
All Price Bands	\$9,334.14	\$1,166.76	(C)



FACILITIES FOR INTERSTATE ACCESS

---

5. SPECIAL ACCESS (Cont'd)

5.7 Rates and Charges (Cont'd)

5.7.6 Multiplexing Arrangements (Cont'd)

DS3 Premises Multiplexer  
(Per Arrangement)

<u>Jurisdiction</u>	<u>Nonrecurring Charge</u>	<u>Monthly Rate</u>	
Texas			
All Zones	\$6,125.53	\$5,833.83	(C)

FACILITIES FOR INTERSTATE ACCESS

---

5. SPECIAL ACCESS (Cont'd)

5.7 Rates and Charges (Cont'd)

5.7.7 High Capacity DS1 (1.544 Mbps) Facilities

(A) Standard Arrangements

Special Access Line (End User CDL)

<u>Jurisdiction</u>	<u>Nonrecurring Charge</u>	<u>Monthly Rate</u>	
Texas			
Price Band A,B,C	6,563.12	3,479.10	(C)
Price Band D	6,563.12	3,779.53	(C)

FACILITIES FOR INTERSTATE ACCESS

---

5. SPECIAL ACCESS (Cont'd)

5.7 Rates and Charges (Cont'd)

5.7.7 High Capacity DS1 (1.544 Mbps) Facilities (Cont'd)

(A) Standard Arrangements (Cont'd)

<u>Jurisdiction</u>	<u>Special Access Line (IC CDL) Nonrecurring Charge</u>	<u>Monthly Rate</u>	
Texas			
All Price Bands	\$5,250.46	\$3,479.10	(C)

FACILITIES FOR INTERSTATE ACCESS

---

5. SPECIAL ACCESS (Cont'd)

5.7 Rates and Charges (Cont'd)

5.7.7 High Capacity DS1 (1.544 Mbps) Facilities (Cont'd)

(A) Standard Arrangements (Cont'd)

<u>Jurisdiction</u>	<u>Special Transport Termination Monthly Rate</u>	<u>Special Transport (Per Airline Mile) Monthly Rate</u>	
Texas			
All Price Bands	546.66	183.03	(C)

FACILITIES FOR INTERSTATE ACCESS

---

5. SPECIAL ACCESS (Cont'd)

5.7 Rates and Charges (Cont'd)

5.7.7 High Capacity DS1 (1.544 Mbps) Facilities (Cont'd)

(B) Optional Arrangements (Cont'd)

MetroLAN - Special Transport per DS1, FiberConnect/LAN Traversed#

<u>Jurisdiction</u>	<u>One Year Monthly Rate</u>	<u>Two Year Monthly Rate</u>	<u>Three Year Monthly Rate</u>	
Texas				
All Price Bands	404.01	404.01	404.01	(C)

# Service availability limited. Refer to # footnote on Page 5-143.

FACILITIES FOR INTERSTATE ACCESS

---

5. SPECIAL ACCESS (Cont'd)

5.7 Rates and Charges (Cont'd)

5.7.7 High Capacity DS1 (1.544 Mbps) Facilities (Cont'd)

(B) Optional Arrangements (Cont'd)

MetroLAN - Special Transport per DS1, FiberConnect/LAN Traversed# (Cont'd)

	<u>Five Year</u>	<u>Eight Year</u>	<u>Ten Year</u>	
	<u>Monthly Rate</u>	<u>Monthly Rate</u>	<u>Monthly Rate</u>	
<u>Jurisdiction</u>				
Texas				
All Price Bands	404.01	404.01	404.01	(C)

# Service availability limited. Refer to # footnote on Page 5-143.

FACILITIES FOR INTERSTATE ACCESS

---

5. SPECIAL ACCESS (Cont'd)

5.7 Rates and Charges (Cont'd)

5.7.7 High Capacity DS1 (1.544 Mbps) Facilities (Cont'd)

(B) Optional Arrangements (Cont'd)

<u>Jurisdiction</u>	Supplemental Features	
	<u>Automatic Protection Switching</u>	
	<u>Nonrecurring Charge</u>	<u>Monthly Rate</u>
Texas		
Price Band A	700.00	100.00
Price Band B	700.00	100.00
Price Band C	700.00	100.00

FACILITIES FOR INTERSTATE ACCESS

---

5. SPECIAL ACCESS (Cont'd)

5.7 Rates and Charges (Cont'd)

5.7.8 High Capacity Digital FiberConnect (4 X 1.544 Mbps) Facilities

(A) FiberConnect Optional Payment Plan

Special Access Line - Electrical Interface (End User CDL)

<u>Jurisdiction</u>	<u>Nonrecurring Charge</u>	<u>One Year Monthly Rate</u>	<u>Three Year Monthly Rate</u>	<u>Five Year Monthly Rate</u>
Texas				
Price Band A	\$1,250.00	\$ 908.00	\$ 672.00	\$ 536.00
Price Band B	1,250.00	908.00	672.00	536.00
Price Band C	1,250.00	908.00	672.00	536.00



FACILITIES FOR INTERSTATE ACCESS

---

5. SPECIAL ACCESS (Cont'd)

5.7 Rates and Charges (Cont'd)

5.7.8 High Capacity Digital FiberConnect (4 X 1.544 Mbps) Facilities (Cont'd)

(A) FiberConnect Optional Payment Plan (Cont'd)

Special Access Line - Electrical Interface (IC CDL)

<u>Jurisdiction</u>	<u>Nonrecurring Charge</u>	<u>One Year Monthly Rate</u>	<u>Three Year Monthly Rate</u>	<u>Five Year Monthly Rate</u>
Texas				
Price Band A	\$1,000.00	\$ 908.00	\$ 672.00	\$ 536.00
Price Band B	1,000.00	908.00	672.00	536.00
Price Band C	1,000.00	908.00	672.00	536.00

FACILITIES FOR INTERSTATE ACCESS

---

5. SPECIAL ACCESS (Cont'd)

5.7 Rates and Charges (Cont'd)

5.7.9 High Capacity Digital DS3 (44.736 Mbps) Facilities - Three System##

(A) Protected DS3 - With Telephone Company Electronics

First Special Access Line - (End User CDL)

<u>Jurisdiction</u>	<u>Nonrecurring Charge</u>
Texas	\$3,125.00

<u>Jurisdiction</u>	<u>Month to Month Rate ###</u>	<u>One Year # Monthly Rate</u>	<u>Three Year # Monthly Rate</u>	<u>Five Year # Monthly Rate</u>	<u>Seven Year # Monthly Rate</u>
Texas					
Price Band A	1,686.46	1,686.46	1,380.12	1,203.84	1,102.40
Price Band B	1,725.68	1,725.68	1,412.98	1,233.20	1,129.96
Price Band C	1,764.90	1,764.90	1,445.84	1,262.57	1,157.52

### Effective July 26, 2022 DS3 Service billing at the Month to Month rate will convert to the DS3 Individual System Month to Month rate. In addition, at the expiration of a Service Period, the DS3 service will convert to the Individual System Month to Month rate.

## Service availability limited. Refer to # footnote on Page 4-95.

# Effective November 19, 2021, DS3 Term Rates are no longer permitted. DS3 Term Rates in effect as of November 19, 2021 may continue the existing term but will not be eligible to extend, renew, reenroll in, convert to a new term period, or in any other way continue their existing plan beyond its current expiration. At expiration of the term the service will convert to the Month to Month Rate. If at any time an existing customer terminates its DS3 Term Rates, the customer may not re-subscribe to the rate.

FACILITIES FOR INTERSTATE ACCESS

---

5. SPECIAL ACCESS (Cont'd)

5.7 Rates and Charges (Cont'd)

5.7.9 High Capacity Digital DS3 (44.736 Mbps) Facilities - Three System## (Cont'd)

(A) Protected DS3 - With Telephone Company Electronics (Cont'd)

First Special Access Line - (IC CDL)

<u>Jurisdiction</u>	<u>Nonrecirring Charge</u>
Texas	\$2,500.00

<u>Jurisdiction</u>	<u>Month to Month Rate ###</u>	<u>One Year # Monthly Rate</u>	<u>Three Year # Monthly Rate</u>	<u>Five Year # Monthly Rate</u>	<u>Seven Year # Monthly Rate</u>
Texas					
Price Band A	1,686.46	1,686.46	1,380.12	1,203.84	1,102.40
Price Band B	1,725.68	1,725.68	1,412.98	1,233.20	1,129.96
Price Band C	1,764.90	1,764.90	1,445.84	1,262.57	1,157.52

### Service Offer is further limited. See footnote on page 5-253

## Service availability limited. Refer to # footnote on Page 5-95.

# Service Offer is Limited. See Footnote on Page 5-253

FACILITIES FOR INTERSTATE ACCESS

---

5. SPECIAL ACCESS (Cont'd)

5.7 Rates and Charges (Cont'd)

5.7.9 High Capacity Digital DS3 (44.736 Mbps) Facilities - Three System### (Cont'd)

(A) Protected DS3 - With Telephone Company Electronics (Cont'd)

Each Additional Special Access Line - Maximum of 2 -(End User CDL)

<u>Jurisdiction</u>	<u>Nonrecurring Charge</u>
Texas	\$1,250.00

<u>Jurisdiction</u>	<u>Month To Month Rate ###</u>	<u>One Year # Monthly Rate</u>	<u>Three Year # Monthly Rate</u>	<u>Five Year # Monthly Rate</u>	<u>Seven Year # Monthly Rate</u>
Texas					
Price Band A	1,264.90	1,264.90	1,035.09	902.91	826.80
Price Band B	1,294.26	1,294.26	1,059.79	924.96	847.47
Price Band C	1,323.73	1,323.73	1,084.38	947.00	868.14

### Service Offer is further limited. See footnote on Page 5-253

## Service availability limited. Refer to # footnote on Page 5-95.

Service Offer is Limited. See Footnote on Page 5-253

FACILITIES FOR INTERSTATE ACCESS

---

5. SPECIAL ACCESS (Cont'd)

5.7 Rates and Charges (Cont'd)

5.7.9 High Capacity Digital DS3 (44.736 Mbps) Facilities - Three System### (Cont'd)

(A) Protected DS3 - With Telephone Company Electronics (Cont'd)

Each Additional Special Access Line - Maximum of 2 -(IC CDL)

<u>Jurisdiction</u>	<u>Nonrecurring Charge</u>
Texas	\$1,000.00

<u>Jurisdiction</u>	<u>Month To Month Rate ###</u>	<u>One Year # Monthly Rate</u>	<u>Three Year # Monthly Rate</u>	<u>Five Year # Monthly Rate</u>	<u>Seven Year # Monthly Rate</u>
Texas					
Price Band A	1,264.90	1,264.90	1,035.09	902.91	826.80
Price Band B	1,294.26	1,294.26	1,059.79	924.96	847.47
Price Band C	1,323.73	1,323.73	1,084.38	947.00	868.14

### Service Offer is further limited. See footnote on Page 5-253

# Service availability limited. Refer to # footnote on Page 5-95.

# Service Offer is Limited. See Footnote on Page 5-253

FACILITIES FOR INTERSTATE ACCESS

5. SPECIAL ACCESS (Cont'd)

5.7 Rates and Charges (Cont'd)

5.7.9 High Capacity Digital DS3 (44.736 Mbps) Facilities - Three System### (Cont'd)

(B) Protected DS3 - Without Telephone Company Electronics

First Special Access Line - (End User CDL)

<u>Jurisdiction</u>	<u>Nonrecurring Charge</u>
Texas	\$2,343.75

<u>Jurisdiction</u>	<u>Month to Month Rate ###</u>	<u>One Year # Monthly Rate</u>	<u>Three Year # Monthly Rate</u>	<u>Five Year # Monthly Rate</u>	<u>Seven Year # Monthly Rate</u>
Texas					
Price Band A	1,291.08	1,291.08	1,061.80	912.66	838.20
Price Band B	1,321.08	1,321.08	1,087.14	934.92	859.24
Price Band C	1,351.18	1,351.18	1,112.36	957.18	880.12

### Service Offer is Further Limited. See footnotge on Page 5-253

## Service availability limited. Refer to # footnote on Page 5-95.

# Service Offer is Limited. See Footnote on Page 5-253

FACILITIES FOR INTERSTATE ACCESS

5 SPECIAL ACCESS (Cont'd)

5.7 Rates and Charges (Cont'd)

5.7.9 High Capacity Digital DS3 (44.736 Mbps) Facilities - Three System### (Cont'd)

(B) Protected DS3 - Without Telephone Company Electronics (Cont'd)

First Special Access Line - (IC CDL)

<u>Jurisdiction</u>	<u>Nonrecurring Charge</u>
Texas	\$1,875.00

<u>Jurisdiction</u>	<u>Month to Month Rate ###</u>	<u>One Year # Monthly Rate</u>	<u>Three Year # Monthly Rate</u>	<u>Five Year # Monthly Rate</u>	<u>Seven Year # Monthly Rate</u>
Texas					
Price Band A	\$1,291.08	\$1,291.08	\$1,061.80	\$912.66	\$838.20
Price Band B	1,321.08	1,321.08	1,087.14	934.92	859.24
Price Band C	1,351.18	1,351.18	1,112.36	957.18	880.12

### Service Offer is Further Limited. See footnote on Page 5-253

## Service availability limited. Refer to # footnote on Page 5-95.

# Service Offer is Limited. See Footnote on Page 5-253

FACILITIES FOR INTERSTATE ACCESS

5 SPECIAL ACCESS (Cont'd)

5.7 Rates and Charges (Cont'd)

5.7.9 High Capacity Digital DS3 (44.736 Mbps) Facilities - Three System### (Cont'd)

(B) Protected DS3 - Without Telephone Company Electronics (Cont'd)

Each Additional Special Access Line - Maximum of 2 -(End User CDL)

<u>Jurisdiction</u>	<u>Nonrecurring Charge</u>
Texas	\$937.50

<u>Jurisdiction</u>	<u>Month to Month Rate ###</u>	<u>One Year # Monthly Rate</u>	<u>Three Year # Monthly Rate</u>	<u>Five Year # Monthly Rate</u>	<u>Seven Year # Monthly Rate</u>
Texas					
Price Band A	968.31	968.31	796.38	684.55	628.58
Price Band B	990.89	990.89	815.35	701.19	644.37
Price Band C	1,013.36	1,013.36	834.33	717.94	660.06

### Service Offer is Further Limited See Footnote on Page 5-253

## Service availability limited. Refer to # footnote on Page 5-95.

# Service Offer is Limited. See Footnote on Page 5-253



FACILITIES FOR INTERSTATE ACCESS

---

4. SPECIAL ACCESS (Cont'd)

5.7 Rates and Charges (Cont'd)

5.7.9 High Capacity Digital DS3 (44.736 Mbps) Facilities - Three System### (Cont'd)

(B) Protected DS3 - Without Telephone Company Electronics (Cont'd)

Each Additional Special Access Line - Maximum of 2 -(IC CDL)

<u>Jurisdiction</u>	<u>Nonrecurring Charge</u>
Texas	\$750.00

<u>Jurisdiction</u>	<u>Month to Month Rate ###</u>	<u>One Year # Monthly Rate</u>	<u>Three Year # Monthly Rate</u>	<u>Five Year # Monthly Rate</u>	<u>Seven Year # Monthly Rate</u>
Texas					
Price Band A	968.31	968.31	796.38	684.55	628.58
Price Band B	990.89	990.89	815.35	701.19	644.37
Price Band C	1,013.36	1,013.36	834.33	717.94	660.06

### Service is Further Limited. See Footnote on Page 5-253

## Service availability limited. Refer to # footnote on Page 5-95.

# Service Offer is Limited. See Footnote on Page 5-253

FACILITIES FOR INTERSTATE ACCESS

5. SPECIAL ACCESS (Cont'd)

5.7 Rates and Charges (Cont'd)

5.7.10 High Capacity Digital DS3 (44.736 Mbps) Facilities - Unlimited System##

(A) Protected DS3 - With Telephone Company Electronics

First Special Access Line (End User CDL)

<u>Jurisdiction</u>	<u>Nonrecurring Charge</u>
---------------------	----------------------------

Texas	\$39,701.00
-------	-------------

(C)

<u>Jurisdiction</u>	<u>Month to Month Rate ###</u>	<u>One Year # Monthly Rate</u>	<u>Three Year # Monthly Rate</u>	<u>Five Year # Monthly Rate</u>	<u>Seven Year # Monthly Rate</u>
---------------------	------------------------------------	------------------------------------	--------------------------------------	-------------------------------------	--------------------------------------

Texas

All Price Bands	\$35,703.65	\$35,703.65	\$29,674.34	\$26,156.56	\$22,771.22
-----------------	-------------	-------------	-------------	-------------	-------------

(C)

### Service Offer is Further Limited. See Footnote on Page 5-253

## Service availability limited. Refer to # footnote on Page 5-95.

# Service Offer is Limited. See Footnote on Page 5-253

FACILITIES FOR INTERSTATE ACCESS

5. SPECIAL ACCESS (Cont'd)

5.7 Rates and Charges (Cont'd)

5.7.10 High Capacity Digital DS3 (44.736 Mbps) Facilities - Unlimited System## (Cont'd)

(A) Protected DS3 - With Telephone Company Electronics (Cont'd)

First Special Access Line (IC CDL)

Jurisdiction      Nonrecurring Charge

Texas                      \$31,760.80

(C)

<u>Jurisdiction</u>	<u>Month to Month Rate ###</u>	<u>One Year # Monthly Rate</u>	<u>Three Year # Monthly Rate</u>	<u>Five Year # Monthly Rate</u>	<u>Seven Year # Monthly Rate</u>
---------------------	------------------------------------	------------------------------------	--------------------------------------	-------------------------------------	--------------------------------------

Texas

All Price Bands	\$35,703.65	\$35,703.65	\$29,674.34	\$26,156.56	\$22,771.22
-----------------	-------------	-------------	-------------	-------------	-------------

(C)

### Service Offer is Further Limited. See Footnote on Page 5-253

## Service availability limited. Refer to # footnote on Page 5-95.

# Service Offer is Limited. See Footnote on Page 5-253

FACILITIES FOR INTERSTATE ACCESS

5. SPECIAL ACCESS (Cont'd)

5.7 Rates and Charges (Cont'd)

5.7.10 High Capacity Digital DS3 (44.736 Mbps) Facilities - Unlimited System## (Cont'd)

(A) Protected DS3 - With Telephone Company Electronics (Cont'd)

Each Additional Special Access Line (End User CDL)

<u>Jurisdiction</u>	<u>Nonrecurring Charge</u>
---------------------	----------------------------

Texas	\$ 8,822.44
-------	-------------

(C)

<u>Jurisdiction</u>	<u>Month to Month Rate ###</u>	<u>One Year # Monthly Rate</u>	<u>Three Year # Monthly Rate</u>	<u>Five Year # Monthly Rate</u>	<u>Seven Year # Monthly Rate</u>
---------------------	------------------------------------	------------------------------------	--------------------------------------	-------------------------------------	--------------------------------------

Texas

All Price Bands	\$3,787.85	\$3,787.85	\$3,261.14	\$2,935.70	\$2,679.12
-----------------	------------	------------	------------	------------	------------

(C)

### Service Offer is Further Limited. See Footnote on Page 5-253

## Service availability limited. Refer to # footnote on Page 5-95.

# Service Offer is Limited. See Footnote on Page 5-253

FACILITIES FOR INTERSTATE ACCESS

5. SPECIAL ACCESS (Cont'd)

5.7 Rates and Charges (Cont'd)

5.7.10 High Capacity Digital DS3 (44.736 Mbps) Facilities - Unlimited System##  
(Cont'd)

(A) Protected DS3 - With Telephone Company Electronics (Cont'd)

Each Additional Special Access Line (IC CDL)

<u>Jurisdiction</u>	<u>Nonrecurring Charge</u>	
Texas	\$8,822.44	(C)

<u>Jurisdiction</u>	<u>Month to Month Rate ###</u>	<u>One Year # Monthly Rate</u>	<u>Three Year # Monthly Rate</u>	<u>Five Year # Monthly Rate</u>	<u>Seven Year # Monthly Rate</u>	
Texas						
All Price Bands	\$3,787.85	\$3,787.85	\$3,261.14	\$2,935.70	\$2,679.12	(C)

### Service Offer is Further Limited. See Footnote on Page 5-253

## Service availability limited. Refer to # footnote on Page 5-95.

# Service Offer is Limited. See Footnote on Page 5-253

FACILITIES FOR INTERSTATE ACCESS

5. SPECIAL ACCESS (Cont'd)

5.7 Rates and Charges (Cont'd)

5.7.10 High Capacity Digital DS3 (44.736 Mbps) Facilities - Unlimited System## (Cont'd)

(B) Protected DS3 - Without Telephone Company Electronics

First Special Access Line (End User CDL)

<u>Jurisdiction</u>	<u>Nonrecurring Charge</u>	
Texas	\$29,775.74	(C)

<u>Jurisdiction</u>	<u>Month to Month Rate ###</u>	<u>One Year # Monthly Rate</u>	<u>Three Year # Monthly Rate</u>	<u>Five Year # Monthly Rate</u>	<u>Seven Year # Monthly Rate</u>	
Texas						
Price Band C	\$24,303.42	\$24,303.42	\$20,197.60	\$17,804.30	\$15,499.27	(C)

### Service Offer is Further Limited See Footnote on Page 5-253

## Service availability limited. Refer to # footnote on Page 5-95.

# Service Offer is Limited. See Footnote on Page 5-253

FACILITIES FOR INTERSTATE ACCESS

5. SPECIAL ACCESS (Cont'd)

5.7 Rates and Charges (Cont'd)

5.7.10 High Capacity Digital DS3 (44.736 Mbps) Facilities - Unlimited System## (Cont'd)

(B) Protected DS3 - Without Telephone Company Electronics (Cont'd)

First Special Access Line (IC CDL)

<u>Jurisdiction</u>	<u>Nonrecurring Charge</u>
---------------------	----------------------------

Texas	\$23,820.61
-------	-------------

(C)

<u>Jurisdiction</u>	<u>Month to Month Rate ###</u>	<u>One Year # Monthly Rate</u>	<u>Three Year # Monthly Rate</u>	<u>Five Year # Monthly Rate</u>	<u>Seven Year # Monthly Rate</u>
---------------------	------------------------------------	------------------------------------	--------------------------------------	-------------------------------------	--------------------------------------

Texas

All Price Bands	\$24,303.42	\$24,303.42	\$20,197.60	\$17,804.30	\$15,499.27
-----------------	-------------	-------------	-------------	-------------	-------------

(C)

### Service Offer is Further Limited. See Footnote on Page 5-253

## Service availability limited. Refer to # footnote on Page 5-95.

Service Offer is Limited. See Footnote on Page 5-253

FACILITIES FOR INTERSTATE ACCESS

5. SPECIAL ACCESS (Cont'd)

5.7 Rates and Charges (Cont'd)

5.7.10 High Capacity Digital DS3 (44.736 Mbps) Facilities - Unlimited System##  
(Cont'd)

(B) Protected DS3 - Without Telephone Company Electronics (Cont'd)

Each Additional Special Access Line (End User CDL)

Jurisdiction      Nonrecurring Charge

Texas                      \$6,616.84

(C)

Jurisdiction      Month to      One Year #      Three Year #      Five Year #      Seven Year #  
Month Rate ###      Monthly Rate      Monthly Rate      Monthly Rate      Monthly Rate

Texas

All Price Bands      \$3,678.59      \$3,678.59      \$3,216.25      \$2,676.87      \$2,471.13

(C)

### Service Offer is Further Limited. See Footnote on Page 5-253

## Service availability limited. Refer to # footnote on Page 5-95.

# Service Offer is Limited. See Footnote on Page 5-253



FACILITIES FOR INTERSTATE ACCESS

5. SPECIAL ACCESS (Cont'd)

5.7 Rates and Charges (Cont'd)

5.7.10 High Capacity Digital DS3 (44.736 Mbps) Facilities - Unlimited System##  
(Cont'd)

(B) Protected DS3 - Without Telephone Company Electronics (Cont'd)

Each Additional Special Access Line (IC CDL)

<u>Jurisdiction</u>	<u>Nonrecurring Charge</u>					
Texas	\$5,293.47					(C)
	<u>Month to</u>	<u>One Year #</u>	<u>Three Year #</u>	<u>Five Year #</u>	<u>Seven Year #</u>	
	<u>Month Rate ###</u>	<u>Monthly Rate</u>	<u>Monthly Rate</u>	<u>Monthly Rate</u>	<u>Monthly Rate</u>	
<u>Jurisdiction</u>						
Texas						
All Price Bands	\$3,678.59	\$3,678.59	\$3,216.25	\$2,676.87	\$2,471.13	(C)

### Service Offer is Further Limited. See Footnote on Page 5-253

## Service availability limited. Refer to # footnote on Page 5-95.

Service Offer is Limited. See Footnote on Page 5-253

FACILITIES FOR INTERSTATE ACCESS

5. SPECIAL ACCESS (Cont'd)

5.7 Rates and Charges (Cont'd)

5.7.11 High Capacity Digital DS3 (44.736 Mbps) Facilities - Individual System

(A) Protected DS3 Individual - With Telephone Company Electronics

Each Special Access Line (End User CDL)

Jurisdiction      Nonrecurring Charge

Texas                      \$14,584.61

(C)

<u>Jurisdiction</u>	<u>Month to Month Rate ##</u>	<u>One Year # Monthly Rate</u>	<u>Three Year # Monthly Rate</u>	<u>Five Year # Monthly Rate</u>	<u>Seven Year # Monthly Rate</u>
Texas					
Price Band A, B, C	\$16,696.46	\$16,696.46	\$13,604.51	\$11,833.46	\$10,454.44
Price Band D	\$20,119.75	\$20,119.75	\$17,151.50	\$15,448.53	\$14,121.43

(C)

# Effective November 19, 2021, DS3 Term Rates are no longer permitted. DS3 Term Rates in effect as of November 19, 2021 may continue the existing term but will not be eligible to extend, renew, reenroll in, convert to a new term period, or in any other way continue their existing plan beyond its current expiration. At expiration of the term the service will convert to the Month to Month Rate. If at any time an existing customer terminates its DS3 Term Rates, the customer may not re-subscribe to the rate.

## Effective July 26, 2022 Any DS3 Service billing at the Month to Month rate will convert to the DS3 Individual System Month to Month rate. In addition, at the expiration of a Service Period, the DS3 service will convert to the Individual System Month to Month rate.

FACILITIES FOR INTERSTATE ACCESS

5. SPECIAL ACCESS (Cont'd)

5.7 Rates and Charges (Cont'd)

5.7.11 High Capacity Digital DS3 (44.736 Mbps) Facilities - Individual System (Cont'd)

(A) Protected DS3 Individual - With Telephone Company Electronics (Cont'd)

Each Special Access Line (IC CDL)

<u>Jurisdiction</u>	<u>Nonrecurring Charge</u>					
Texas	\$11,667.69					(C)
		<u>Month to</u>	<u>One Year #</u>	<u>Three Year #</u>	<u>Five Year #</u>	<u>Seven Year #</u>
		<u>Month Rate ##</u>	<u>Monthly Rate</u>	<u>Monthly Rate</u>	<u>Monthly Rate</u>	<u>Monthly Rate</u>
<u>Jurisdiction</u>						
Texas						
All Price Bands	\$16,696.46	\$16,696.46	\$13,604.51	\$11,833.46	\$10,454.44	(C)

# Service Offer is limited. See footnote on page 5-269

## Service Offer is Further Limited. See Footnote on Page 5-269

FACILITIES FOR INTERSTATE ACCESS

5. SPECIAL ACCESS (Cont'd)

5.7 Rates and Charges (Cont'd)

5.7.11 High Capacity Digital DS3 (44.736 Mbps) Facilities - Individual System (Cont'd)

(B) Protected DS3 Individual - Without Telephone Company Electronics

Each Special Access Line (End User CDL)

<u>Jurisdiction</u>	<u>Nonrecurring Charge</u>					
Texas	\$10,938.51					(C)
		<u>Month To</u>	<u>One Year #</u>	<u>Three Year #</u>	<u>Five Year #</u>	<u>Seven Year #</u>
		<u>Month Rate ##</u>	<u>Monthly Rate</u>	<u>Monthly Rate</u>	<u>Monthly Rate</u>	<u>Monthly Rate</u>
<u>Jurisdiction</u>						
Texas						
All Price Bands	\$12,314.57	\$12,314.57	\$9,863.26	\$8,642.61	\$6,986.51	(C)

# Service Offer is limited. See footnote on page 5-269

# Service Offer is Further Limited. See Footnote on Page 5-269

FACILITIES FOR INTERSTATE ACCESS

---

5. SPECIAL ACCESS (Cont'd)

5.7 Rates and Charges (Cont'd)

5.7.11 High Capacity Digital DS3 (44.736 Mbps) Facilities - Individual System (Cont'd)

(B) Protected DS3 Individual - Without Telephone Company Electronics (Cont'd)

Each Special Access Line (IC CDL)

Jurisdiction      Nonrecurring Charge

Texas                      \$8,750.76

(C)

Jurisdiction      Month To      One Year #      Three Year #      Five Year #      Seven Year #  
Month Rate ##      Monthly Rate      Monthly Rate      Monthly Rate      Monthly Rate

Texas

All Price Bands      \$12,314.57      \$12,314.57      \$9,863.26      \$8,642.61      \$6,986.51

(C)

# Service Offer is limited. See footnote on page 5-269

## Service Offer is Further Limited. See Footnote on Page 5-269

FACILITIES FOR INTERSTATE ACCESS

---

5. SPECIAL ACCESS (Cont'd)

5.7 Rates and Charges (Cont'd)

5.7.12 High Capacity Digital DS3 (44.736 Mbps) Facilities - Group Systems##

(A) Protected DS3 x 12 - With Telephone Company Electronics##

Per Group of 12 (End User CDL)##

Jurisdiction	<u>Nonrecurring Charge</u>				
Texas	\$8,750.00				
<u>Jurisdiction</u>	<u>Month to Month Rate ###</u>	<u>One Year # Monthly Rate</u>	<u>Three Year # Monthly Rate</u>	<u>Five Year # Monthly Rate</u>	<u>Seven Year # Monthly Rate</u>
All States	\$9,295.00	\$9,295.00	\$7,700.00	\$5,830.00	\$4,950.00

### Effective July 26, 2022 Any DS3 Service billing at the Month to Month rate will convert to the DS3 Individual System Month to Month rate. In addition, at the expiration of a Service Period, the DS3 Service will convert to the Individual System Month to Month rate.

## Limited to those services so equipped and in service as of March 4, 1999.

# Effective November 19, 2021, DS3 Term Rates are no longer permitted. DS3 Term Rates in effect as of November 19, 2021 may continue the existing term but will not be eligible to extend, renew, reenroll in, convert to a new term period, or in any other way continue their existing plan beyond its current expiration. At expiration of the term the service will convert to the Month to Month Rate. If at any time an existing customer terminates its DS3 Term Rates, the customer may not re-subscribe to the rate.

FACILITIES FOR INTERSTATE ACCESS

---

5. SPECIAL ACCESS (Cont'd)

5.7 Rates and Charges (Cont'd)

5.7.12 High Capacity Digital DS3 (44.736 Mbps) Facilities - Group Systems##  
(Cont'd)

(A) Protected DS3 x 12 - With Telephone Company Electronics## (Cont'd)

Per Group of 12 (IC CDL)##

<u>Jurisdiction</u>	<u>Nonrecurring Charge</u>				
Texas	\$7,000.00				
	<u>Month to</u>	<u>One Year #</u>	<u>Three Year#</u>	<u>Five Yea r#</u>	<u>Seven Year #</u>
<u>Jurisdiction</u>	<u>Month Rate ###</u>	<u>Monthly Rate</u>	<u>Monthly Rate</u>	<u>Monthly Rate</u>	<u>Monthly Rate</u>
All States	\$8,957.00	\$8,957.00	\$7,420.00	\$5,618.00	\$4,770.00

### Service Offer is Further Limited. See Footnote on Page 5-273

## Limited to those services so equipped and in service as of March 4, 1999.

# Service Offer is limited. See footnote on page 5-273

FACILITIES FOR INTERSTATE ACCESS

---

5. SPECIAL ACCESS (Cont'd)

5.7 Rates and Charges (Cont'd)

5.7.12 High Capacity Digital DS3 (44.736 Mbps) Facilities - Group Systems##

(A) Protected DS3 x 12 - Without Telephone Company Electronics## (Cont'd)

Per Group of 12 (End User CDL)##

<u>Jurisdiction</u>	<u>Nonrecurring Charge</u>				
Texas	\$6,562.50				
	<u>Month to</u>	<u>One Year #</u>	<u>Three Year #</u>	<u>Five Year #</u>	<u>Seven Year #</u>
<u>Jurisdiction</u>	<u>Month Rate ###</u>	<u>Monthly Rate</u>	<u>Monthly Rate</u>	<u>Monthly Rate</u>	<u>Monthly Rate</u>
Texas	\$6,971.25	\$6,971.25	\$5,775.00	\$4,372.50	\$3,712.50

### Service Offer is Further Limited. See Footnote on Page 5-273

## Limited to those services so equipped and in service as of March 4, 1999.

Service Offer is limited. See footnote on page 5-273



FACILITIES FOR INTERSTATE ACCESS

---

5. SPECIAL ACCESS (Cont'd)

5.7 Rates and Charges (Cont'd)

5.7.12 High Capacity Digital DS3 (44.736 Mbps) Facilities - Group Systems## (Cont'd)

(A) Protected DS3 x 12 - Without Telephone Company Electronics## (Cont'd)

Per Group of 12 (IC CDL)##

<u>Jurisdiction</u>	<u>Nonrecurring Charge</u>				
Texas	\$5,250.00				
	<u>Month to</u>	<u>One Year #</u>	<u>Three Year #</u>	<u>Five Year #</u>	<u>Seven Year #</u>
<u>Jurisdiction</u>	<u>Month Rate ###</u>	<u>Monthly Rate</u>	<u>Monthly Rate</u>	<u>Monthly Rate</u>	<u>Monthly Rate</u>
Texas	\$6,717.75	\$6,717.75	\$5,565.00	\$4,213.50	\$3,577.50

### Service Offer is Further Limited. See Footnote on Page 5-273

## Limited to those services so equipped and in service as of March 4, 1999.

# Service Offer is limited. See footnote on page 5-273

FACILITIES FOR INTERSTATE ACCESS

SPECIAL ACCESS (Cont'd)

5.7 Rates and Charges (Cont'd)

5.7.12 High Capacity Digital DS3 (44.736 Mbps) Facilities - Group Systems## (Cont'd)

(B) Protected DS3 x 24 - With Telephone Company Electronics##

Per Group of 24 (End User CDL)##

<u>Jurisdiction</u>	<u>Nonrecurring Charge</u>				
Texas	\$15,000.00				
	<u>Month to</u>	<u>One Year #</u>	<u>Three Year #</u>	<u>Five Year #</u>	<u>Seven Year #</u>
	<u>Month Rate ###</u>	<u>Monthly Rate</u>	<u>Monthly Rate</u>	<u>Monthly Rate</u>	<u>Monthly Rate</u>
<u>Jurisdiction</u>					
Texas	\$15,950.00	\$15,950.00	\$13,200.00	\$9,900.00	\$8,580.00

### Service Offer is Further Limited. See Footnote on Page 5-273

## Limited to those services so equipped and in service as of March 4, 1999.

# Service Offer is limited. See footnote on page 5-273

FACILITIES FOR INTERSTATE ACCESS

---

5. SPECIAL ACCESS (Cont'd)

5.7 Rates and Charges (Cont'd)

5.7.12 High Capacity Digital DS3 (44.736 Mbps) Facilities - Group Systems## (Cont'd)

(B) Protected DS3 x 24 - With Telephone Company Electronics## (Cont'd)

Per Group of 24 (IC CDL)##

<u>Jurisdiction</u>	<u>Nonrecurring Charge</u>				
Texas	\$12,000.00				
	<u>Month to</u>	<u>One Year #</u>	<u>Three Year #</u>	<u>Five Year #</u>	<u>Seven Year #</u>
<u>Jurisdiction</u>	<u>Month Rate ###</u>	<u>Monthly Rate</u>	<u>Monthly Rate</u>	<u>Monthly Rate</u>	<u>Monthly Rate</u>
Texas	\$15,370.00	\$15,370.00	\$12,720.00	\$9,540.00	\$8,268.00

### Service Offer is Further Limited. See Footnote on Page 5-273

## Limited to those services so equipped and in service as of March 4, 1999.

# Service Offer is limited. See footnote on page 5-273

FACILITIES FOR INTERSTATE ACCESS

---

5. SPECIAL ACCESS (Cont'd)

5.7 Rates and Charges (Cont'd)

5.7.12 High Capacity Digital DS3 (44.736 Mbps) Facilities - Group Systems## (Cont'd)

(B) Protected DS3 x 24 - Without Telephone Company Electronics## (Cont'd)

Per Group of 24 (End User CDL)##

<u>Jurisdiction</u>	<u>Nonrecurring Charge</u>				
Texas	\$11,250				
<u>Jurisdiction</u>	<u>Month to Month Rate ###</u>	<u>One Year # Monthly Rate</u>	<u>Three Year # Monthly Rate</u>	<u>Five Year # Monthly Rate</u>	<u>Seven Year # Monthly Rate</u>
Texas	\$11,962.50	\$11,962.50	\$9,900.00	\$7,425.00	\$6,435.00

### Service Offer is Further Limited. See Footnote on Page 5-273

## Limited to those services so equipped and in service as of March 4, 1999.

# Service Offer is limited. See footnote on page 5-273

FACILITIES FOR INTERSTATE ACCESS

---

5. SPECIAL ACCESS (Cont'd)

5.7 Rates and Charges (Cont'd)

5.7.12 High Capacity Digital DS3 (44.736 Mbps) Facilities - Group Systems## (Cont'd)

(B) Protected DS3 x 24 - Without Telephone Company Electronics## (Cont'd)

Per Group of 24 (IC CDL)##

<u>Jurisdiction</u>	<u>Nonrecurring Charge</u>				
Texas	\$9,000.00				
	<u>Month to</u>	<u>One Year #</u>	<u>Three Year #</u>	<u>Five Year #</u>	<u>Seven Year #</u>
<u>Jurisdiction</u>	<u>Month Rate ###</u>	<u>Monthly Rate</u>	<u>Monthly Rate</u>	<u>Monthly Rate</u>	<u>Monthly Rate</u>
Texas	\$11,527.50	\$11,527.50	\$9,540.00	\$7,155.00	\$6,201.00

### Service Offer is Further Limited. See Footnote on Page 5-273

## Limited to those services so equipped and in service as of March 4, 1999.

# Service Offer is limited. See footnote on page 5-273

FACILITIES FOR INTERSTATE ACCESS

---

5. SPECIAL ACCESS (Cont'd)

5.7 Rates and Charges (Cont'd)

5.7.13 High Capacity Digital DS3 (44.736 Mbps) Facilities - Special Transport

(A) DS3 Special Transport Facilities

<u>Jurisdiction</u>	3 System, Unlimited System, Individual Transport Per DS3, Per Airline Mile <u>Monthly Rate</u>	12 Group System Transport Per Group of 12, Per Airline Mile <u>Monthly Rate#</u>	24 Group System Transport Per Group of 24, Per Airline Mile <u>Monthly Rate#</u>	
Texas				
All Price Bands	\$1,236.78	\$2,659.13	\$3,710.33	(C)

# Limited to those services so equipped and in service as of March 4, 1999.

FACILITIES FOR INTERSTATE ACCESS

---

5. SPECIAL ACCESS (Cont'd)

5.7 Rates and Charges (Cont'd)

5.7.13 High Capacity Digital DS3 (44.736 Mbps) Facilities - Special Transport  
(Cont'd)

(B) DS3 Special Transport Terminations

<u>Jurisdiction</u>	3 System, Unlimited System, Individual Transport Per DS3, Per Termination <u>Monthly Rate</u>	12 Group System Transport Per Group of 12, Per Termination <u>Monthly Rate#</u>	24 Group System Transport Per Group of 24, Per Termination <u>Monthly Rate#</u>	
Texas				
All Price Bands	\$4,637.96	\$30,919.35	\$55,654.83	(C)

# Limited to those services so equipped and in service as of March 4, 1999.

FACILITIES FOR INTERSTATE ACCESS

---

5. SPECIAL ACCESS (Cont'd)

5.7 Rates and Charges (Cont'd)

5.7.13 High Capacity Digital DS3 (44.736 Mbps) Facilities - Special Transport  
(Cont'd)

(C) DS3 Banded Special Transport

<u>Jurisdiction</u>		<u>Monthly Rate</u>	
Texas			
All Price Bands	1-4 Miles	\$ 6,183.87	(C)   (C)
All Price Bands	5-8 Miles	8,781.10	
All Price Bands	9-15 Miles	12,120.39	
All Price Bands	16-25 Miles	13,913.71	
All Price Bands	26-40 Miles	17,067.47	
All Price Bands	41 Miles or more	30,300.97	



---

FACILITIES FOR INTERSTATE ACCESS

---

5. SPECIAL ACCESS (Cont'd)

5.7 Rates and Charges (Cont'd)

5.7.13 High Capacity Digital DS3 (44.736 Mbps) Facilities - Special Transport  
(Cont'd)

(C) DS3 Banded Special Transport (Cont'd)

---

FACILITIES FOR INTERSTATE ACCESS

---

5. SPECIAL ACCESS (Cont'd)

5.7 Rates and Charges (Cont'd)

5.7.13 High Capacity Digital DS3 (44.736 Mbps) Facilities - Special Transport  
(Cont'd)

(C) DS3 Banded Special Transport (Cont'd)

FACILITIES FOR INTERSTATE ACCESS

---

5. SPECIAL ACCESS (Cont'd)

5.7 Rates and Charges (Cont'd)

5.7.14 High Capacity Digital DS3 (44.736 Mbps) Facilities DS3 Multiplexer Cross Connect Arrangement, Per Arrangement

<u>Jurisdiction</u>	<u>Nonrecurring Charge</u>	
Texas		
All Price Bands	\$697.74	(C)

---

FACILITIES FOR INTERSTATE ACCESS

---

5. SPECIAL ACCESS (Cont'd)

5.7 Rates and Charges (Cont'd)

5.7.15 RESERVED FOR FUTURE USE

---

FACILITIES FOR INTERSTATE ACCESS

---

5. SPECIAL ACCESS (Cont'd)

5.7 Rates and Charges (Cont'd)

5.7.15 RESERVED FOR FUTURE USE

---

FACILITIES FOR INTERSTATE ACCESS

---

5. SPECIAL ACCESS (Cont'd)

5.7 Rates and Charges (Cont'd)

5.7.15 RESERVED FOR FUTURE USE

---

FACILITIES FOR INTERSTATE ACCESS

---

5. SPECIAL ACCESS (Cont'd)

5.7 Rates and Charges (Cont'd)

5.7.15 RESERVED FOR FUTURE USE

---

FACILITIES FOR INTERSTATE ACCESS

---

5. SPECIAL ACCESS (Cont'd)

5.7 Rates and Charges (Cont'd)

5.7.16 RESERVED FOR FUTURE USE



---

FACILITIES FOR INTERSTATE ACCESS

---

5. SPECIAL ACCESS (Cont'd)

5.7 Rates and Charges (Cont'd)

5.7.16 RESERVED FOR FUTURE USE

---

FACILITIES FOR INTERSTATE ACCESS

---

SPECIAL ACCESS (Cont'd)

5.7 Rates and Charges (Cont'd)

5.7.16 RESERVED FOR FUTURE USE

---

FACILITIES FOR INTERSTATE ACCESS

---

5. SPECIAL ACCESS (Cont'd)

5.7 Rates and Charges (Cont'd)

5.7.16 RESERVED FOR FUTURE USE

---

FACILITIES FOR INTERSTATE ACCESS

---

5. SPECIAL ACCESS (Cont'd)

5.7 Rates and Charges (Cont'd)

5.7.16 RESERVED FOR FUTURE USE

---

FACILITIES FOR INTERSTATE ACCESS

---

5. SPECIAL ACCESS (Cont'd)

5.7 Rates and Charges (Cont'd)

5.7.16 RESERVED FOR FUTURE USE

---

FACILITIES FOR INTERSTATE ACCESS

---

5. SPECIAL ACCESS (Cont'd)

5.7 Rates and Charges (Cont'd)

5.7.16 RESERVED FOR FUTURE USE

---

FACILITIES FOR INTERSTATE ACCESS

---

5. SPECIAL ACCESS (Cont'd)

5.7 Rates and Charges (Cont'd)

5.7.16 RESERVED FOR FUTURE USE

---

FACILITIES FOR INTERSTATE ACCESS

---

5. SPECIAL ACCESS (Cont'd)

5.7 Rates and Charges (Cont'd)

5.7.16 RESERVED FOR FUTURE USE



---

FACILITIES FOR INTERSTATE ACCESS

---

5. SPECIAL ACCESS (Cont'd)

5.7 Rates and Charges (Cont'd)

5.7.16 RESERVED FOR FUTURE USE

FACILITIES FOR INTERSTATE ACCESS

---

5. SPECIAL ACCESS (Cont'd)

5.7 Rates and Charges (Cont'd)

5.7.17 High Capacity Digital E1 (2.048 Mbps) Facilities#

(A) Standard Arrangements

Special Transport

<u>Jurisdiction</u>	<u>Per Termination</u>	<u>Facility, Per Airline Mile</u>
Texas	NA	NA

# Service availability limited. Refer to # footnote on Page 5-141.

FACILITIES FOR INTERSTATE ACCESS

---

5. SPECIAL ACCESS (Cont'd)

5.7 Rates and Charges (Cont'd)

5.7.18 High Voltage Protection

<u>Jurisdiction</u>	<u>Initial Common Equipment</u>		<u>Terminating Equipment, Per Circuit Terminated</u>	
	<u>Nonrecurring Charge</u>	<u>Monthly Rate</u>	<u>Nonrecurring Charge</u>	<u>Monthly Rate</u>
Texas				
Price Band A	500.00	108.22	50.00	28.81
Price Band B	500.00	108.22	50.00	28.81
Price Band C	500.00	108.22	50.00	28.81

---

FACILITIES FOR INTERSTATE ACCESS

---

5. SPECIAL ACCESS (Cont'd)

5.7 Rates and Charges (Cont'd)

5.7.19 RESERVED FOR FUTURE USE

---

FACILITIES FOR INTERSTATE ACCESS

---

5. SPECIAL ACCESS (Cont'd)

5.7 Rates and Charges (Cont'd)

5.7.19 RESERVED FOR FUTURE USE

---

FACILITIES FOR INTERSTATE ACCESS

---

5. SPECIAL ACCESS (Cont'd)

5.7 Rates and Charges (Cont'd)

5.7.19 RESERVED FOR FUTURE USE

---

FACILITIES FOR INTERSTATE ACCESS

---

5. SPECIAL ACCESS (Cont'd)

5.7 Rates and Charges (Cont'd)

5.7.19 RESERVED FOR FUTURE USE

---

FACILITIES FOR INTERSTATE ACCESS

---

5. SPECIAL ACCESS (Cont'd)

5.7 Rates and Charges (Cont'd)

5.7.19 RESERVED FOR FUTURE USE



---

FACILITIES FOR INTERSTATE ACCESS

---

5. SPECIAL ACCESS (Cont'd)

5.7 Rates and Charges (Cont'd)

5.7.19 RESERVED FOR FUTURE USE

FACILITIES FOR INTERSTATE ACCESS

---

5. SPECIAL ACCESS (Cont'd)

5.8 Miscellaneous Special Access Services (Cont'd)

5.8.4 Telephoto Conditioning

(A) Description of Service

Telephoto conditioning is used for the control of attenuation distortion and envelope delay distortion on telephotographic services.

(B) Rates

Jurisdiction	Nonrecurring <u>Charge</u>	Monthly <u>Rate</u>
--------------	-------------------------------	------------------------

5.8.5 Clear Channel Capability

(A) Description of Service

An arrangement that allows the customer to transport 1.536 Mbps of information through a DS1 with no constraint on the quantity or sequence of one (mark) and zero (space) bits utilizing the Bipolar with Eight Zero Substitution (B8ZS) method of providing bit sequence independence. This arrangement is capable of transporting DS1 signals which utilize Superframe or Extended Superframe Format (ESF) as defined by the American National Standards Institute (ANSI) T1.107-2002 (R2006) standard. The installation interval for Clear Channel Capability may exceed standard intervals where equipment in the central office is not readily available. The charges apply on a per SAL basis. Clear Channel Capability for DS1 is provided under Section 11.8.3(H) to the Federal Government.

This arrangement requires the customer signal at the channel interface to conform to the B8ZS method of providing bit sequence independence, as described in ANSI T1.102-1993 (R2005) and Section 6103 of the GTE Technical Interface Reference Manual.

FACILITIES FOR INTERSTATE ACCESS

---

5. SPECIAL ACCESS (Cont'd)

5.8 Miscellaneous Special Access Services (Cont'd)

5.8.5 Clear Channel Capability (Cont'd)

(B) Rates

<u>Jurisdiction</u>	<u>Nonrecurring Charge</u>	<u>Monthly Rate</u>	
Texas			
All Price Bands	\$1,050.09	\$280.02	(C)

---

FACILITIES FOR INTERSTATE ACCESS

---

6. MISCELLANEOUS SERVICES6.1 Additional Labor

Additional Labor is that labor requested by the customer on a given FIA and agreed to by the Telephone Company as set forth in (A) through (F) following. The Telephone Company will notify the customer that Additional Labor charges as set forth in (G) following will apply before any Additional Labor is undertaken. Additional Labor charges will also apply if the requirement for the Additional Labor is the fault of the customer or parties on whose behalf it acts. Charges for additional labor will apply per order submitted.

(A) Overtime Installation

Overtime installation is that Telephone Company installation effort outside the business day. Overtime rates will apply anytime outside the business day and all day Saturday. Premium time rates will apply all day Sunday and on all Telephone Company approved holidays. For applicable holidays in each jurisdiction contact Issuing Carrier identified on Title Pages 2 and 3 preceding.

(B) Overtime Repair

Overtime repair is Telephone Company repair which could have been performed during the normal business day, but that is delayed at the specific request of the customer to a later time period which is outside the normal business day or to a weekend day or holiday. The request will result in the application of overtime rates anytime outside the business day and all day Saturday. Premium time rates will apply on Sunday and Telephone Company approved holidays. These rates, as set forth in Section 6.2 following, will only apply when there is a delay of repair at the request of the customer to the time periods stated above.

(C) Additional Installation Testing

Additional installation testing is that testing performed by the Telephone Company at the time of installation which is in addition to normal pre service and acceptance testing.

---

FACILITIES FOR INTERSTATE ACCESS

---

6. MISCELLANEOUS SERVICES (Cont'd)

6.1 Additional Labor (Cont'd)

(D) Standby

Standby includes all time in excess of one half (1/2) hour during which Telephone Company personnel are available to make coordinated tests on a given FIA. The standby charge applies only when Telephone Company personnel must wait more than 30 minutes beyond a prearranged, mutually agreed appointment time. Standby charges will cease when testing begins, or when Telephone Company personnel are released from the standby requirement, or when testing is rescheduled for a later date or time. Charges will not be applicable if Telephone Company personnel cause the delay.

(E) Testing and Maintenance with Other Telephone Companies

Additional testing, maintenance, or repair of facilities which connect to facilities of other telephone companies, which is in addition to normal effort required to test, maintain, or repair facilities provided solely by the Telephone Company.

(F) Other Labor

Other labor is that additional labor not included in (A) through (E) preceding, and labor incurred to accommodate a specific customer request that involves only labor which is not covered by any other section of this Guide.

FACILITIES FOR INTERSTATE ACCESS

---

6. MISCELLANEOUS SERVICES (Cont'd)

6.1 Additional Labor (Cont'd)

(G) Charges for Additional Labor

(1) The charges for additional labor are as follows:

- Additional Cooperative Acceptance Testing – Special
- Additional Cooperative Testing – Switched
- Maintenance of Service (see Section 6.3)
- Nonscheduled Testing – Special
- Nonscheduled Testing – Switched
- Other Labor (see Section 6.2(F))
- Testing and Maintenance with Other Telephone Companies (see Section 6.2(E))

Jurisdiction	<u>Labor Periods</u>	
	<u>Basic Time, Business Day, Per Technician</u>	
	<u>First Half Hour</u> <u>or Fraction Thereof</u>	<u>Each Additional Half Hour</u> <u>or Fraction Thereof</u>
Texas		
Special Access		
Price Cap	\$150.00	\$150.00
Price Bands A, B and C	\$150.00	\$150.00
All Other Services	\$150.00	\$150.00

FACILITIES FOR INTERSTATE ACCESS

---

6. MISCELLANEOUS SERVICES (Cont'd)

6.1 Additional Labor (Cont'd)

(G) Charges for Additional Labor (Cont'd)

(1) The charges for additional labor are as follows: (Cont'd)

Jurisdiction	<u>Labor Periods</u>	
	<u>Overtime, Outside the Business Day, Per Technician*</u>	
	<u>First Half Hour or Fraction Thereof</u>	<u>Each Additional Half Hour or Fraction Thereof</u>
Texas		
Special Access		
Price Cap	\$200.00	\$200.00
Price Bands A, B and C	\$200.00	\$200.00
All Other Services	\$200.00	\$200.00

\* A call out of a Telephone Company employee at a time not consecutive with the business day is subject to a minimum charge of four hours.

Certain material on this page formerly appeared on Page 6-3.

FACILITIES FOR INTERSTATE ACCESS

---

6. MISCELLANEOUS SERVICES (Cont'd)

6.1 Additional Labor (Cont'd)

(G) Charges for Additional Labor (Cont'd)

(1) The charges for additional labor are as follows: (Cont'd)

Jurisdiction	<u>Labor Periods</u>	
	<u>Premium Time, Outside the Business Day, Per Technician*</u>	<u>Each Additional Half Hour</u>
	<u>First Half Hour</u>	<u>or Fraction Thereof</u>
		<u>or Fraction Thereof</u>
Texas		
Special Access		
Price Cap	\$250.00	\$250.00
Price Bands A, B and C	\$250.00	\$250.00
All Other Services	\$250.00	\$250.00

\* A call out of a Telephone Company employee at a time not consecutive with the business day is subject to a minimum charge of four hours.

Material on this page formerly appeared on Page 6-3.



FACILITIES FOR INTERSTATE ACCESS

---

6. MISCELLANEOUS SERVICES (Cont'd)

6.1 Additional Labor (Cont'd)

(G) Charges for Additional Labor (Cont'd)

(2) The charges for additional labor are as follows:

- Additional Installation Testing (see Section 5.2(C))
- Overtime Installation (see Section 5.2(A))
- Overtime Repair (see Section 5.2 (B))

Jurisdiction	<u>Labor Periods</u>	
	<u>Basic Time, Business Day, Per Technician</u>	
	<u>First Half Hour</u> <u>or Fraction Thereof</u>	<u>Each Additional Half Hour</u> <u>or Fraction Thereof</u>
Texas		
Special Access		
Price Cap	\$30.81	\$20.54
Price Bands A, B and C	\$30.81	\$20.54
All Other Services	\$30.81	\$20.54

FACILITIES FOR INTERSTATE ACCESS

---

6. MISCELLANEOUS SERVICES (Cont'd)

6.1 Additional Labor (Cont'd)

(G) Charges for Additional Labor (Cont'd)

(2) The charges for additional labor are as follows: (Cont'd)

Jurisdiction	<u>Labor Periods</u>	
	<u>Overtime, Outside the Business Day, Per Technician*</u>	
	<u>First Half Hour or Fraction Thereof</u>	<u>Each Additional Half Hour or Fraction Thereof</u>
Texas		
Special Access		
Price Cap	\$100.00	\$75.00
Price Bands A, B and C	\$100.00	\$75.00
All Other Services	\$100.00	\$75.00

\* A call out of a Telephone Company employee at a time not consecutive with the business day is subject to a minimum charge of four hours.

FACILITIES FOR INTERSTATE ACCESS

---

6. MISCELLANEOUS SERVICES (Cont'd)

6.1 Additional Labor (Cont'd)

(G) Charges for Additional Labor (Cont'd)

(2) The charges for additional labor are as follows: (Cont'd)

<u>Labor Periods</u>	<u>Premium Time, Outside the Business Day, Per Technician*</u>	
	<u>First Half Hour or Fraction Thereof</u>	<u>Each Additional Half Hour or Fraction Thereof</u>
Texas		
Special Access		
Price Cap	\$150.00	\$125.00
Price Bands A, B and C	\$150.00	\$125.00
All Other Services	\$150.00	\$125.00

\* A call out of a Telephone Company employee at a time not consecutive with the business day is subject to a minimum charge of four hours.

FACILITIES FOR INTERSTATE ACCESS

---

6. MISCELLANEOUS SERVICES (Cont'd)

6.1 Additional Labor (Cont'd)

(G) Charges for Additional Labor (Cont'd)

(3) The charges for additional labor are as follows:

- Standby (see Section 6.2(D))

Jurisdiction	<u>Labor Periods</u>	
	<u>Basic Time, Business Day, Per Technician</u>	
	<u>First Half Hour</u>	<u>Each Additional Half Hour</u>
	<u>or Fraction Thereof</u>	<u>or Fraction Thereof</u>
Texas		
Special Access		
Price Cap	none	\$60.00
Price Bands A, B and C	none	\$60.00
All Other Services	none	\$60.00

FACILITIES FOR INTERSTATE ACCESS

---

6. MISCELLANEOUS SERVICES (Cont'd)

6.1 Additional Labor (Cont'd)

(G) Charges for Additional Labor (Cont'd)

(3) The charges for additional labor are as follows: (Cont'd)

- Standby (see Section 5.2(D))

Jurisdiction	<u>Labor Periods</u>	
	<u>Overtime, Outside the Business Day, Per Technician*</u>	
	<u>First Half Hour or Fraction Thereof</u>	<u>Each Additional Half Hour or Fraction Thereof</u>
Texas		
Special Access		
Price Cap	none	\$70.00
Price Bands A, B and C	none	\$70.00
All Other Services	none	\$70.00

\* A call out of a Telephone Company employee at a time not consecutive with the business day is subject to a minimum charge of four hours.

Material on this page formerly appeared on Page 6-5.

FACILITIES FOR INTERSTATE ACCESS

---

6. MISCELLANEOUS SERVICES (Cont'd)

6.1 Additional Labor (Cont'd)

(G) Charges for Additional Labor (Cont'd)

(3) The charges for additional labor are as follows: (Cont'd)

- Standby (see Section 6.2(D))

Jurisdiction	<u>Labor Periods</u>	
	<u>Premium Time, Outside the Business Day, Per Technician*</u>	<u>Each Additional Half Hour</u>
	<u>First Half Hour</u>	<u>or Fraction Thereof</u>
	<u>or Fraction Thereof</u>	<u>or Fraction Thereof</u>
Texas		
Special Access		
Price Cap	none	\$80.00
Price Bands A, B and C	none	\$80.00
All Other Services	none	\$80.00

\* A call out of a Telephone Company employee at a time not consecutive with the business day is subject to a minimum charge of four hours.

---

FACILITIES FOR INTERSTATE ACCESS

---

6. MISCELLANEOUS SERVICES (Cont'd)

6.2 Maintenance of Service Charge

- (A) When a customer reports trouble to the Telephone Company for clearance, the customer shall be responsible for payment of a Maintenance of Service Charge when Telephone Company personnel are dispatched to the customer's location and no trouble is found in the Telephone Company's facilities. Failure of Telephone Company personnel to find trouble in Telephone Company facilities will result in no charge if the trouble is actually in those facilities, but not discovered at the time.

In this case, or in (B) following, no credit allowance will be applicable for the interruption involved, unless the trouble is found in the Telephone Company's facilities.

- (B) The customer shall be responsible for payment of a Maintenance of Service Charge when the Telephone Company dispatches personnel to the customer's location and the trouble is in equipment or communications systems provided by other than the Telephone Company or in detariffed CPE provided by the Telephone Company.
- (C) The Maintenance of Service Charge time period will begin when Telephone Company personnel are dispatched. This will only include the actual time required to reach the customer's location and perform an investigation. The time period will end when the investigation is finished. The labor charge as set forth in 6.2 (G) preceding will apply to Maintenance of Service at the appropriate Basic, Overtime or Premium rate. These charges apply whether the trouble is in the equipment of communications systems provided by other than the Telephone Company, or in detariffed CPE provided by the Telephone Company.

---

FACILITIES FOR INTERSTATE ACCESS

---

6. MISCELLANEOUS SERVICES (Cont'd)

6.3 Telecommunications Service Priority (TSP) System

(A) Description of the Service

The TSP System is a service that provides for the priority provisioning and/or restoration of National Security Emergency Preparedness (NSEP) telecommunications services. The TSP System applies only to NSEP services, includes both Switched and Special FIA and provides the Telephone Company with a guide to the sequence in which services are to be provisioned and/or restored.

The Telephone Company currently has Special Access circuits classified as RP (Restoration Priority). These facilities were offered under part 64.401, Subpart D, Appendix A of the FCC Rules and Regulations prior to the revisions released November 17, 1988 under GEN. Docket No. 87 505 (FCC 88 341). These facilities will maintain their RP designation and priority treatment until either converted by the customer to the TSP System, or until March 10, 1993, whichever occurs first.

All FIA that can be identified by a unique circuit identifier can be provisioned for NSEP service by the Telephone Company.

The rates and charges associated with a customer subscribing to the TSP System are as specified in Section 6.4(G).

(B) Obtaining TSP System Service

The Executive Office of the President through the TSP Program Office, is empowered with the authority to receive, evaluate and process requests for NSEP services. The TSP Program Office makes the priority level assignments and issues the TSP authorization code reflecting the priority assignment associated with a request. The customer provides the TSP authorization code, in addition to all the other details necessary to complete the order (ASR) to the Telephone Company to obtain TSP System service.

The TSP authorization code, assigned on a per ASR basis, consists of a 12 character field consisting of a nine character control ID followed by a dash and a two character field specifying the priority level assignment. Its structure is as follows:

TSPxxxxxn yy

The "x"s represent a sequence of numbers unique to each TSP authorization code and the "n" is a one character alphanumeric check digit. The first "y" contains the provisioning priority level assignment and the second "y" contains the restoration priority level assignment.



---

FACILITIES FOR INTERSTATE ACCESS

---

6. MISCELLANEOUS SERVICES (Cont'd)

6.3 Telecommunications Service Priority (TSP) System (Cont'd)

(C) Provisioning Priority

If the customer requires service within a shorter time interval than the Telephone Company can provide, and the requested service qualifies for NSEP, the customer may elect to invoke NSEP Treatment and obtain the appropriate provisioning priority assignment from the TSP Program Office. Acceptable assignment code values are: E, 1, 2, 3, 4, 5 or 0.

The assignment of the value "E" denotes Emergency Provisioning and implies the service has the most critical provisioning requirements and the Telephone Company will respond accordingly. The Telephone Company will take immediate action to provide the requested service at the earliest possible date. Rates and charges associated with "E" provisioning are as specified in Section 6.4(G)(2)(a).

The assignment values of 1, 2, 3, 4 and 5 are treated as essential service priorities and the Company will adjust its available resources to meet the customer's requested due date. Rates and charges associated with invoking this priority treatment are specified in Section 6.4(G)(2)(b). The value "0" implies no provisioning priority.

(D) Restoration Priority

A TSP authorization code for restoration priority classifies the service as being among the nation's most important NSEP telecommunications services. The Company will restore these services before services without restoration priority assignments in the order of priority assignments. Acceptable values are: 1, 2, 3, 4, 5 or 0 with the value "1" being the highest priority.

When the Company recognizes a TSP as being out of service, unusable or receives a trouble report, available resources will be dispatched to restore the service as quickly as practicable. A priority value of 1, 2 or 3 requires dispatch outside normal business hours if necessary to restore the service. A priority value of 4 or 5 only requires dispatch outside of normal business hours if the next business day is more than 24 hours away. If the value "0" has been assigned, then no restoration priority is applicable to this service.

The minimum period for service is one month.

---

FACILITIES FOR INTERSTATE ACCESS

---

6. MISCELLANEOUS SERVICES (Cont'd)

6.3 Telecommunications Service Priority (TSP) System (Cont'd)

(E) Obligations of the Customer

- (1) In all instances, the customer is responsible for obtaining the appropriate TSP authorization code and providing that code to the Telephone Company.
- (2) The TSP System service customer must also be the customer for the FIA with which TSP service is associated. Only the customer or its authorized agent as indicated in a letter of agency on file with the Telephone Company is allowed to order TSP System service.
- (3) All points of a multipoint service configuration must have the same restoration priority assignment and must satisfy the requirements of that assignment.
- (4) In obtaining TSP System service, the customer consents to the release of certain information by the Telephone Company to the federal government in order to maintain and administer the TSP System. Such information includes: the customer's name, telephone number and mailing address, the TSP authorization code and the circuit or service ID number associated with the NSEP service.
- (5) The Telephone Company will attempt to notify the customer of expected charges. The customer when invoking NSEP Treatment, recognizes that quoting charges and obtaining permission beforehand may not be practicable and may cause unnecessary delays and, as a result, grants the Telephone Company the right to quote and bill charges after provisioning of the service.
- (6) During certain emergencies, the customer may request TSP assignments verbally and the Telephone Company will accept such verbal notification. The customer must submit a written order (ASR) to the Telephone Company within two working days following the verbal request. If the written order (ASR) is not received within two working days, all applicable rates and charges accumulated to date to provision TSP System service, become immediately due and payable and the requested TSP priority is revoked.
- (7) The customer must request and justify revalidation of all priority level assignments at least every three years.
- (8) Additionally, the NCS Manual M 3 1 1, "Telecommunications Service Priority (TSP) System for National Security Emergency Preparedness (NSEP) Service User Manual", prescribes specific conditions which warrant NSEP Treatment and related procedures.

---

FACILITIES FOR INTERSTATE ACCESS

---

6. MISCELLANEOUS SERVICES (Cont'd)

6.3 Telecommunications Service Priority (TSP) System (Cont'd)

(F) Obligations of the Telephone Company

- (1) The Telephone Company will allocate resources to ensure best efforts to provide NSEP services by the time required.
- (2) The Telephone Company will work TSP System services in the order of their priority level assignments. The priority sequence is as follows:
  - Restore NSEP services assigned restoration priority 1
  - Provision Emergency (E) NSEP services
  - Restore NSEP services assigned restoration priority 2, 3, 4 or 5
  - Provision NSEP services assigned provisioning priority 1, 2, 3, 4 or 5.
- (3) The Telephone Company will work cooperatively with other providers of NSEP service when only a portion is provided by the Telephone Company to ensure "end to end" service.
- (4) Additionally, TSP System service will be provided in accordance with the guidelines set forth in NCS Handbook H 3 1 2, "Telecommunications Service Priority (TSP) System for National Security Emergency Preparedness (NSEP) Service Vendor Handbook".

---

FACILITIES FOR INTERSTATE ACCESS

---

6. MISCELLANEOUS SERVICES (Cont'd)

6.3 Telecommunications Service Priority (TSP) System (Cont'd)

(G) Rates and Charges

The following rates and charges are in addition to all other rates and charges that may apply for other services offered under this Guide which operate in conjunction with the TSP System.

(1) Establishment of TSP System Service

The establishment of TSP System service charge is a nonrecurring charge (NRC) specified in Section 5.4(G)(4) which applies when a FIA is ordered with provisioning and/or restoration priority. If both are ordered at the same time, only one NRC is applicable. The NRC is also applicable for orders changing priority levels.

(2) Provisioning Priority

There are two basic levels of priority provisioning, Emergency (provisioning priority "E") and Essential (provisioning priority 1, 2, 3, 4 or 5).

(a) Emergency Provisioning

The Telephone company will take immediate action to provide the requested service at the earliest possible date. The rates and charges for Special Construction as set forth in Section 3.1.3 preceding may apply.

(b) Essential Provisioning

The Telephone Company will adjust its available resources to meet the customers requested due date. The rates and charges will apply as set forth in Section 3.2.2(E).

(3) Restoration Priority

Restoration Priority is a monthly rate per circuit for the ongoing administration and maintenance of the TSP System. rates are specified in Section 5.4(G)(5).

FACILITIES FOR INTERSTATE ACCESS

---

6. MISCELLANEOUS SERVICES (Cont'd)

6.3 Telecommunications Service Priority (TSP) System (Cont'd)

(G) Rates and Charges (Cont'd)

(4) Establishment of TSP System Service Charge

Jurisdiction	Nonrecurring Charge <u>Per Circuit</u>
Texas	14.50

(4) Restoration Priority Rates

Jurisdiction	Monthly Rates <u>Per Circuit</u>
Texas	4.90

---

FACILITIES FOR INTERSTATE ACCESS

---

6 MISCELLANEOUS SERVICES (Cont'd)

6.4 Additional Testing

The Telephone Company will perform acceptance testing as specified in 6.1.5 preceding to insure that FIA ordered by the customer are functioning properly, prior to turning over such FIA to the customer

Testing offered under this section of the tariff is in addition to those tests described above and will be provided, when requested by the customer, at an additional charge.

Testing is provided by Telephone Company personnel at Telephone Company locations. However, provisions are made in 6.6(A)(5) and 6.6(B)(2) following, to allow a customer to request Telephone Company personnel to perform testing at the customer designated location or the end user premises.

Additional testing is provided on a scheduled or nonscheduled basis. Scheduled testing shall be performed on a predetermined time basis to allow for cost efficient utilization of Telephone Company and customer resources. Scheduled testing should be based on a one year period. Nonscheduled tests are performed by the Telephone Company on a request by request basis, not in conjunction with any fixed schedule.

The offering of testing under this section of the tariff is made subject to the availability of the necessary qualified personnel and test equipment at the various test locations mentioned in (A) and (B) following.

---

FACILITIES FOR INTERSTATE ACCESS

---

6. MISCELLANEOUS SERVICES (Cont'd)

6.4 Additional Testing (Cont'd)

(A) Special Access Testing

The Telephone Company will, at the request of a customer, provide assistance in performing specific tests requested by the customer, however, the Telephone Company will only perform maintenance testing for its facilities within the LATA.

(1) Additional Cooperative Acceptance Testing

When a customer provides a technician at its customer designated location or at the end user premises, with suitable test equipment to perform the required tests, the Telephone Company will provide a technician at its office for the purpose of conducting Additional Cooperative Acceptance Testing (ACAT). The labor charges as set forth in 6.2(G) preceding will apply to ACAT at the appropriate Basic, Overtime, or Premium rate.

Additional Cooperative Acceptance Testing charges will apply when the customer requests tests which are not required to meet the transmission performance parameters as set forth in the GTE Technical Interface Reference Manual.

(2) Nonscheduled Testing

When a customer provides a technician at its customer designated location or at the end user premises, with suitable test equipment to perform the required tests, the Telephone Company will provide a technician at its office (cooperative testing) for the purpose of conducting Nonscheduled Testing (NST). Nonscheduled testing may consist of any test (e.g., loss, noise, slope, envelope delay, etc.) which the customer may request. If such testing indicates trouble in Telephone Company facilities, then the customer will not be charged. NST charges will apply if the trouble is in the facilities of the customer. At the customer's request, the Telephone Company will provide a technician at the customer designated location or at the end user premises (manual testing). The labor charges as set forth in 6.2(G) preceding will apply to Nonscheduled Testing at the appropriate Basic, Overtime, or Premium rate.

(3) Obligation of the Customer

When the customer the customer shall make the facilities to be tested available to the Telephone Company at times mutually agreed upon.

FACILITIES FOR INTERSTATE ACCESS

---

6. MISCELLANEOUS SERVICES (Cont'd)

6.4 Additional Testing (Cont'd)

(B) Rates and Charges

(1) Automatic Scheduled Testing

<u>Jurisdiction</u>	Basic Offering to First Point of Switching Per Transmission Path, Per Month <u>Rate</u>
Texas	.45

(2) Additional Cooperative Scheduled Testing

<u>Jurisdiction</u>	Basic Offering to First Point of Switching Per Transmission Path, Per Month <u>Rate</u>
Texas	1.51
Texas	.64



FACILITIES FOR INTERSTATE ACCESS

---

6. MISCELLANEOUS SERVICES (Cont'd)

6.4 Additional Testing (Cont'd)

(B) Rates and Charges (Cont'd)

(3) Additional Manual Scheduled Testing

<u>Jurisdiction</u>	Basic Offering to First Point of Switching Per Transmission Path, Per Month	<u>Rate</u>
Texas		3.02
Texas		1.29

---

FACILITIES FOR INTERSTATE ACCESS

---

6. MISCELLANEOUS SERVICES (Cont'd)

6.5 End User/Agent Lists

(C) Snapshot List

The Snapshot List is a summary of selected end user and agent information for specific IC which resides in the Telephone Company customer data base. The snapshot List will be provided by electronic transmission at rates provided in 6.7.1(B). Foreign listings, PBX stations, CU centrex stations and numbers not in service will not be provided.

The Snapshot List will be provided to the IC no later than 30 days after receipt of the order. The nonrecurring charge for the Snapshot List applies per state per order.

The purpose, liability and objectives associated with the provision of the Snapshot List is as follows:

- (1) The IC agrees to use the Snapshot List for the purpose of either contacting potential customers/agents, or existing customers/agents or for the purpose of updating IC customer/agent account information. The IC agrees not to sell, or reproduce in any manner, in whole or in part, the lists or permit such to be done.
- (2) The IC shall indemnify, protect and save harmless the Telephone Company from and against any and all loss, liability, damages and expense arising out of any demand, claim, suit or judgment for damages which may arise out of the Telephone Company's supplying of listing information, services or records.
- (3) The Telephone Company and the IC agree that the mutual objective of the parties is to conduct their respective businesses to avoid confusion by the end users and agents as to the separate and independent identity of the respective companies and their services. Neither the Telephone Company nor the IC shall make any representation to end users, the public, prospective advertisers, expressed or implied, written or oral, which would imply that the IC is the same as, a part of, or associated with the Telephone Company.
- (4) This service may be terminated by either the Telephone Company or the IC upon thirty (30) days' written notice or as specified in 2.1.8. The Telephone Company reserves the right to terminate this service immediately upon written notice if the IC misuses the list information. Performance by the Telephone Company shall be excused in the event of strike, riot, act of God or any other cause beyond the reasonable control of the Telephone Company.

FACILITIES FOR INTERSTATE ACCESS

---

6. MISCELLANEOUS SERVICES (Cont'd)

6.5 End User/Agent Lists (Cont'd)

6.5.1 Rates and Charges

(B) Snapshot List

<u>Jurisdiction</u>	<u>Nonrecurring Charge Per State Per Order</u>	<u>Snapshot List Per Listing*</u>
Texas	75.00	.05

\* For the purpose of the Snapshot list, a listing is defined as an end user or agent record eligible for a Predesignated Interexchange Carrier Selection.

FACILITIES FOR INTERSTATE ACCESS

---

6. MISCELLANEOUS SERVICES (Cont'd)6.6 Denial/Restoral Service

The Telephone Company will, upon request, provide Denial/Restoral service to ICs for those end users that have designated the IC as their primary interexchange carrier. Conditions regarding refusal or discontinuance of Denial/Restoral service are set forth in 2.1.8.

- (A) Denial/Restoral service provides for Telephone Company notification to an IC that an end user's local exchange service has been temporarily suspended due to non-payment of the end user's local exchange service. Subsequently, the Telephone Company will provide notification to the IC if the end user's service has been restored from temporary suspension.
- (B) Notification shall be provided via the Customer Account Record Exchange electronic interface.
- (C) The IC agrees to abide by all applicable rules, decisions, orders, statues and laws concerning the disclosure of published and nonpublished telephone numbers, and further agrees to use the information provided by Denial/Restoral service only for the purposes of billing services provided to their end users.
- (D) A charge in (E) will apply to the IC for each notification per end user local telephone exchange service number provided to the IC.
- (E) Denial/Restoral Service  
- per telephone number provided                      \$.10

FACILITIES FOR INTERSTATE ACCESS

---

6. MISCELLANEOUS SERVICES (Cont'd)

6.7 DS1 Span Power

When DS1 Service, provided over metallic facilities, is connected to customer-provided optical high voltage protection equipment, the Telephone Company will provide upon request, DS1 span power from the CO to the CPE electrical-to-optical converter, at the point of termination.

	<u>NRC</u>	<u>MRC</u>
Telephone Company provided DS1 Span Power	\$340.00	\$71.00

---

FACILITIES FOR INTERSTATE ACCESS

---

7. Wire Center Information

7.1 Competitive and Non-Competitive Counties\*

(A) Rate Regulations

To determine the price band for the special transport rate element when the wire centers involved are located within different price bands, apply the rates and charges for the higher price band number.

For the avoidance of doubt, in accordance with Section 2.7 of this Tariff, only Telephone Company wire centers in the operating territory of this Tariff will be considered in order to determine the price band of the applicable special transport rate elements. If one wire center is in the operating territory of this Tariff and the other wire center is not, the rates and charges applicable to the special transport rate element will be determined by the band that applies based on the wire center that is in the Telephone Company's operating territory.

FACILITIES FOR INTERSTATE ACCESS

---

7. Wire Center Information (Cont'd)

7.2 Competitive and Non-Competitive Counties (Cont'd)

(B) Counties

(3) Texas

<b>County</b>	<b>Status</b>	<b>SWC CLLI</b>	<b>Rate Zone/Price Band</b>
Dallas	Competitive	CRTNTXXA	/A
Denton	Competitive	CRTNTXXB	/A
Denton	Competitive	CRTNTXXC	/A
Dallas	Competitive	CRTNTXXD	/A
Dallas	Competitive	DFIATXXA	/D
Denton	Competitive	DNTNTXXA	/A
Dallas	Competitive	GRLDTXXA	/A
Dallas	Competitive	GRLDTXXB	/A
Dallas	Competitive	GRLDTXXC	/A
Tarrant	Competitive	GRPVTXXA	/A
Dallas	Competitive	IRNGTXXA	/A
Dallas	Competitive	IRNGTXXB	/A
Dallas	Competitive	IRNGTXXC	/A
Dallas	Competitive	IRNGTXXD	/A
Dallas	Competitive	IRNGTXXE	/A
Dallas	Competitive	IRNGTXXF	/A

FACILITIES FOR INTERSTATE ACCESS

---

7. Wire Center Information (Cont'd)

7.2 Competitive and Non-Competitive Counties (Cont'd)

(C) Counties

(3) Texas

<b>County</b>	<b>Status</b>	<b>SWC CLLI</b>	<b>Rate Zone/Price Band</b>
Dallas	Competitive	IRNGTXXG	/A
Denton	Competitive	LWVLTTXA	/A
Denton	Competitive	LWVLTTXB	/A
Collin	Competitive	PLANTXXA	/A
Collin	Competitive	PLANTXXB	/A
Collin	Competitive	PLANTXXD	/A
Collin	Competitive	PLANTXXF	/A
Collin	Competitive	PLANTXXK	/A
Tarrant	Competitive	KLLRTXXA	/B
Denton	Competitive	LWVLTTXC	/B
Denton	Competitive	LWVLTTXF	/B
Dallas	Competitive	RWLTTXXA	/B
Denton	Competitive	ARGYTTXB	/C
Tarrant	Competitive	AZLETXXA	/C
Denton	Competitive	BNVLTXXA	/C
Dallas	Competitive	GRLDTXXE	/C
Denton	Competitive	JSTNTXXB	/C
Denton	Competitive	LWVLTTXE	/C
Denton	Competitive	PLPTTTXB	/C
Dallas	Competitive	WYLITXXA	/C
Brazos	Competitive	BRYNTXXA	/A
Brazos	Competitive	CLSTTTXA	/A
Brazos	Competitive	CLSTTTXB	/A
Galveston	Competitive	LGCYTXXA	/A
Tom Green	Competitive	SANGTTXA	/A

---



FACILITIES FOR INTERSTATE ACCESS

---

7. Wire Center Information (Cont'd)

7.2 Competitive and Non-Competitive Counties (Cont'd)

(C) Counties  
(3) Texas

<b>County</b>	<b>Status</b>	<b>SWC CLLI</b>	<b>Rate Zone/Price Band</b>
Tom Green	Competitive	SANGTXXB	/A
Tom Green	Competitive	SANGTXXG	/A
Grayson	Non-Competitive	SHMNTXXA	1/A
Brazos	Competitive	BRYNTXXC	/B
Brown	Competitive	BWWDTXXA	/B
Harris	Competitive	BYTWTXXA	/B
Galveston	Competitive	DCSNTXXA	/B
Val Verde	Competitive	DLRITXXA	/B
Williamson	Competitive	GRTWTXXA	/B
San Patricio	Competitive	INSDTXXA	/B
Cherokee	Non-Competitive	JCVLTXXA	2/B
Galveston	Competitive	KEMHTXXA	/B
Gregg	Competitive	KLGRTXXA*	/B
Calhoun	Non-Competitive	PTLVTXXA	2/B
Hopkins	Competitive	SLSPTXXA	/B
Fort Bend	Competitive	STFRTXXA	/B
Hidalgo	Competitive	WSLCTXXA	/B
Nueces	Competitive	AGDLTXXA	/C
Brazoria	Competitive	ARCLTXXA	/C
San Patricio	Competitive	ARPSTXXA	/C
Galveston	Competitive	BCLFTXXA	/C
Reagan	Competitive	BGLKTXXA	/C
Harris	Competitive	BHCYTXXA	/C
Blanco	Competitive	BLANTXXA	/C
Brown	Competitive	BLNKTXXA	/C

\*This CLLI code is in a Grandfathered Market with pricing as defined in Section 7.2(B) of this tariff.

FACILITIES FOR INTERSTATE ACCESS

---

7. Wire Center Information (Cont'd)

7.2 Competitive and Non-Competitive Counties (Cont'd)

(C) Counties  
(3) Texas

<b>County</b>	<b>Status</b>	<b>SWC CLLI</b>	<b>Rate Zone/Price Band</b>
Victoria	Non-Competitive	BLTNTXXA	3/C
Runnels	Competitive	BNGRTXXA	/C
Brown	Competitive	BNGSTXXA	/C
Fannin	Non-Competitive	BNHMTXXA	3/C
Van Zandt	Competitive	BNWHTXXA	/C
Kendall	Competitive	BORNTXXA	/C
McCulloch	Competitive	BRDYTXXA	/C
Irion	Competitive	BRNHTXXA	/C
Coke	Competitive	BRNTTXXA	/C
Brazos	Competitive	BRYNTXXB	/C
Nueces	Competitive	BSHPTXXA	/C
Matagorda	Non-Competitive	BSNGTXXA	3/C
Hays	Competitive	BUDATXXA	/C
Harris	Competitive	BYTWTXXB	/C
Harris	Competitive	BYTWTXXC	/C
Atascosa	Non-Competitive	CHRLTXXA	3/C
Tom Green	Competitive	CHRTTXXA	/C
Coleman	Competitive	CLMNTXXA	/C
Brazos	Competitive	CLSTTXXD	/C
Burleson	Non-Competitive	CLWLTXXA	3/C
Comanche	Competitive	CMNCTXXA	/C
Van Zandt	Competitive	CNTNTXXA	/C
Grayson	Non-Competitive	COVLTXXA	3/C
Tom Green	Competitive	CRLBTXXA	/C
Harris	Competitive	CRSBTXXA	/C

---

FACILITIES FOR INTERSTATE ACCESS

---

7. Wire Center Information (Cont'd)

7.2 Competitive and Non-Competitive Counties (Cont'd)

(C) Counties  
(3) Texas

<b>County</b>	<b>Status</b>	<b>SWC CLLI</b>	<b>Rate Zone/Price Band</b>
Burleson	Non-Competitive	DEVLTXXA	3/C
Frio	Competitive	DLLYTXXA	/C
Val Verde	Competitive	DLRITXXB	/C
Lee	Non-Competitive	DMBXTXXA	3/C
Hays	Competitive	DRSPTXXA	/C
Wharton	Non-Competitive	EBRNTXXA	3/C
Fannin	Non-Competitive	ECTRTXXA	3/C
Concho	Competitive	EDENTXXA	/C
Schleicher	Competitive	ELDRTXXA	/C
Brooks	Competitive	FLFRTXXA	/C
Gillespie	Competitive	FRBGTXXA	/C
Fayette	Non-Competitive	FYVLTXXA	3/C
Upshur	Competitive	GILMTXXA	/C
Mills	Non-Competitive	GLDTTXXA	3/C
Gregg	Competitive	GLWTTXXA*	/C
Lee	Non-Competitive	GNGSTXXA	3/C
Grayson	Non-Competitive	GNTRTXXA	3/C
Gonzales	Competitive	GNZLTXXA	/C
Grayson	Non-Competitive	GOVLTXXB	3/C
Live Oak	Non-Competitive	GRGWTXXA	3/C
Williamson	Competitive	GRNGTXXA	/C
Burnet	Competitive	GRSHTXXB	/C
Van Zandt	Competitive	GRSLTXXA	/C
Comanche	Competitive	GUSTTXXA	/C
Harris	Competitive	HFMNTXXA	/C

\*This CLLI code is in a Grandfathered Market with pricing as defined in Section 7.2(B) of this tariff.

FACILITIES FOR INTERSTATE ACCESS

---

7. Wire Center Information (Cont'd)

7.2 Competitive and Non-Competitive Counties (Cont'd)

(C) Counties  
(3) Texas

<b>County</b>	<b>Status</b>	<b>SWC CLLI</b>	<b>Rate Zone/Price Band</b>
Harris	Competitive	HGLNTHXXA	/C
Harrison	Competitive	HLVLTHXXA*	/C
Rusk	Competitive	HNSNTHXXA	/C
Grayson	Non-Competitive	HOWETHXXA	3/C
Galveston	Competitive	HTCHTHXXA	/C
Marion	Competitive	JCSNTHXXA	/C
Blanco	Competitive	JHCYTHXXA	/C
Kimble	Non-Competitive	JNCTHXXA	3/C
Williamson	Competitive	JRRLTHXXA	/C
Atascosa	Non-Competitive	JRTNTHXXA	3/C
Galveston	Competitive	KEMHTHXXB	/C
Llano	Non-Competitive	KGLDTHXXA	3/C
Brazos	Competitive	KRTNTHXXA	/C
Hays	Competitive	KYLETHXXA	/C
Cameron	Competitive	LAFRTHXXA	/C
Fayette	Non-Competitive	LGRNTHXXA	3/C
Brown	Competitive	LKBRTHXXA	/C
Llano	Non-Competitive	LLANTHXXA	3/C
Fannin	Non-Competitive	LNRDTHXXA	3/C
Kimble	Non-Competitive	LONDTHXXA	3/C
Wilson	Competitive	LVRNTHXXA	/C
Lee	Non-Competitive	LXTNTHXXA	3/C
Willacy	Competitive	LYFRTHXXA	/C
Mason	Competitive	MASNTHXXA	/C
Runnels	Competitive	MILSTHXXA	/C

\*This CLLI code is in a Grandfathered Market with pricing as defined in Section 19.2(B) of this tariff.

FACILITIES FOR INTERSTATE ACCESS

---

7. Wire Center Information (Cont'd)

7.2 Competitive and Non-Competitive Counties (Cont'd)

(C) Counties  
(3) Texas

<b>County</b>	<b>Status</b>	<b>SWC CLLI</b>	<b>Rate Zone/Price Band</b>
Menard	Competitive	MNRDTXXA	/C
Burnet	Competitive	MRFLTXXA	/C
Chambers	Non-Competitive	MTBLTXXA	3/C
Franklin	Competitive	MTVRTXXA	/C
Irion	Competitive	MTZNTXXA	/C
Van Zandt	Competitive	MYSPTXXA	/C
Gonzales	Competitive	NIXNTXXA	/C
Lee	Non-Competitive	NRUPTXXA	3/C
Cherokee	Non-Competitive	NSFDTXXA	3/C
Walker	Non-Competitive	NWWVTXXA	3/C
San Patricio	Competitive	ODEMTXXA	/C
Colorado	Non-Competitive	OKLDTXXA	3/C
Jim Wells	Competitive	ORGVTXXA	/C
Crockett	Competitive	OZONTXXA	/C
Matagorda	Non-Competitive	PLCSTXXA	3/C
Calhoun	Non-Competitive	PNCMTXXA	3/C
Concho	Competitive	PNRKTXXA	/C
Jim Wells	Competitive	PRMTTXXA	/C
San Patricio	Competitive	PTLDTXXA	/C
Calhoun	Non-Competitive	PTOCTXXA	3/C
Wood	Competitive	QTMNTXXA	/C
Coke	Competitive	RBLETXXA	/C
San Patricio	Competitive	RBTNTXXA	/C
Starr	Competitive	RGCYTXXA	/C
Willacy	Competitive	RMVLTXXA	/C

FACILITIES FOR INTERSTATE ACCESS

---

7. Wire Center Information (Cont'd)

7.2 Competitive and Non-Competitive Counties (Cont'd)

(C) Counties  
(3) Texas

<b>County</b>	<b>Status</b>	<b>SWC CLLI</b>	<b>Rate Zone/Price Band</b>
Blanco	Competitive	RNMTTXXB	/C
Starr	Competitive	ROMATXXA	/C
Runnels	Competitive	ROWNTXXA	/C
Brazoria	Competitive	RSHRTXXA	/C
Cherokee	Non-Competitive	RUSKTXXA	3/C
Galveston	Competitive	SNTFTXXA	/C
Fayette	Non-Competitive	SCBGTXXA	3/C
Calhoun	Non-Competitive	SDRTTXXA	3/C
San Jacinto	Non-Competitive	SHPHTXXA	3/C
Gonzales	Competitive	SMLYTXXA	/C
Bexar	Competitive	SMRTTXXA	/C
Milam	Non-Competitive	SNGBTXXA	3/C
Sutton	Competitive	SNRATXXA	/C
Cameron	Competitive	SNRSTXXA	/C
Burleson	Non-Competitive	SOVLTXXA	3/C
Sterling	Non-Competitive	STCYTXXA	3/C
Gillespie	Competitive	STNWTXXA	/C
San Patricio	Competitive	TAFTTXXA	/C
Milam	Non-Competitive	THDLTXXA	3/C
Live Oak	Non-Competitive	THRRTXXA	3/C
Grayson	Non-Competitive	TIOGTXXB	3/C
Refugio	Competitive	TIVOTXXA	/C
Llano	Non-Competitive	TOW TXXA	3/C
Fannin	Non-Competitive	TRENTXXA	3/C
Rusk	Competitive	TRTWTXXA	/C

FACILITIES FOR INTERSTATE ACCESS

---

7. Wire Center Information (Cont'd)

7.2 Competitive and Non-Competitive Counties (Cont'd)

(C) Counties  
 (3) Texas

<b>County</b>	<b>Status</b>	<b>SWC CLLI</b>	<b>Rate Zone/Price Band</b>
Burleson	Non-Competitive	TUNSTXXG	3/C
Grayson	Non-Competitive	VALSTXXA	3/C
Van Zandt	Competitive	VAN TXXA	/C
Jackson	Non-Competitive	VNDRTXXA	3/C
Austin	Non-Competitive	WALSTXXA	3/C
Colorado	Non-Competitive	WEMRTXXA	3/C
Grayson	Non-Competitive	WHBOTXXC	3/C
Montgomery	Competitive	WILSTXXA	/C
Gillespie	Competitive	WLCYTXXA	/C
Hays	Competitive	WMBRTXXA	/C
Wood	Competitive	WNBOTXXA	/C
Titus	Competitive	WNFDTXXA	/C
Runnels	Competitive	WNTRTXXA	/C
Tom Green	Competitive	WTVYTXXA	/C
Brown	Competitive	ZPHYTXXA	/C

---

FACILITIES FOR INTERSTATE ACCESS

---

8. Optical Networking

(A) General

This section contains the rules and regulations pertaining to the provisioning of SONET Access and Dense Wave Division Multiplexing (DWDM) Service. The regulations and rates specified herein are in addition to the applicable rates and regulations specified in other Sections of this Guide.

This service supports asynchronous bandwidth capacities at 1.5 Mbps and 45 Mbps in addition to synchronous Optical Carrier (OC) bandwidth capacities at OC-3, OC-3c, OC-12, OC-12c, OC-48, OC48c and OC192 bit rates and 1.25 Gbps or 2.5 Gbps wavelengths. The SONET add/drop multiplexer aggregates lesser bit speed services onto the dedicated SONET ring or the two-point SONET circuit configuration.

(B) Description

Optical Networking is comprised of high speed SONET based and/or DWDM technology providing connectivity at, and transport between, two or more customer designated locations (CDLs). Additionally, certain Optical Networking services provide interconnection between an EIS arrangement and a Telephone Company wire center associated with certain Optical Networking Service or advanced data service\*.

\* Advanced data services include Telephone Company provided frame relay services, switched multi-megabit services, Internet Protocol services, LAN Extension Services and ATM-cell relay services. Connections to advanced data services are provided by the Telephone Company where such connections are technically and operationally feasible, as determined by the Telephone Company.



---

FACILITIES FOR INTERSTATE ACCESS

---

8. Optical Networking (Cont'd)

(C) Conditions

Optical Networking services are provided where facilities are available with sufficient bandwidth capacity to meet the customer's request.

The customer is responsible for providing all facilities and cabling necessary to connect customer equipment to this interface or to interconnect with the Telephone Company or its services under an EIS arrangement.

The customer will be billed additional charges for any charges levied the Telephone Company for space and power required to place equipment on the company's side of the network interface.

Customer Facility Assignment (CFA) is controlled by the Telephone Company, on all access customer serving wire centers on the IOF and extends to the terminating CDL. Should the customer require control of the facility assignment and order multiplexing on the IOF, the services from the multiplexer to the end user serving wire center will be ordered from Section 5 of this Guide.

It is the customer's responsibility to ensure that the customer's equipment provides industry standard electrical signals compatible with Optical Networking transport transmission. Technical specifications are contained in the following publications:

GR-253-CORE, Issue 4  
GR-1400-CORE, Issue 3  
GR-1374-CORE, Issue 1  
ANSI T1.105.01-2000 (R2005)  
ANSI T1.102-1993 (R2005)

The Company will work cooperatively with the customer during a planning session to insure that the customer orders sufficient Ethernet Private Line bandwidth capacity to satisfy the customer's requirements as well as other applicable Ethernet Private Line services. This planning session must take place prior to an initial Ethernet Private Line ASR.

---

FACILITIES FOR INTERSTATE ACCESS

---

8. Optical Networking (Cont'd)

(D) Application of Rates and Charges

(1) CONNECT

The Connect rate element provides the platform for customer access to the Telephone Company's Optical Network where connection to certain Ethernet Private Line services or advanced data services occur. The Connect rate element provides the link between the CDL or EIS arrangement and the SWC of the CDL or EIS arrangement.

There are three types of Connects:

- Single Route Connect \*
- Dual Route Connect \*
- CO Connect \*
- Express Connect#
- Flex Express Connect##
- Custom Connect###

(a) Single Route Connect

The Single Route provides a connection to the Telephone Company's wire center(s) via a point-to-point route configuration. The Single Route Connect may be provided as electrical or optical interface in OC bandwidths of OC3, OC12, OC24 or OC48. The Single Route Connect may be ordered as switched or special access.

(b) Dual Route Connect

The Dual Route Connect provides a connection to the Telephone Company's wire center(s) in which the working transmission path traverses a distinct and separate path from the protection transmission path. The Dual Route Connect may be provided as electrical or optical interface in OC bandwidths of OC3, OC12, OC24 or OC48. The Dual Route Connect may be ordered as switched or special access.

\* Grandfathered to existing service effective December 26, 1998.

---

FACILITIES FOR INTERSTATE ACCESS

---

8. Optical Networking (Cont'd)

(D) Application of Rates and Charges (Cont'd)

(1) CONNECT (Cont'd)

(d) CO Connect

The CO Connect provides access to the Telephone Company's Ethernet Private Line platform. The CO Connect is provided at DS3, DS1 and DS0 levels. The appropriate special access line from Section 5 will apply.

When a CO Connect is provided at a DS3 or DS1 level, the customer may order multiplexing, as shown in Section 5, at the end user serving wire center. The customer will be charged for the multiplexing in addition to the CO Connect.

When a CO Connect is ordered at a DS0 level, the customer must request a minimum of a DS1 interface at the IC customer wire center and will be charged for the appropriate payload (i.e., DS1 or DS3) at the IC customer wire center. The CO connect may be ordered as switched or special access.

---

FACILITIES FOR INTERSTATE ACCESS

---

8. Optical Networking (Cont'd)
- (D) Application of Rates and Charges (Cont'd)
- (1) CONNECT (Cont'd)
- (h) Express Connect #

The Express Connect provides a connection to the Telephone Company's Ethernet Private Line wire center(s) via a ring topology consisting of three nodes, one of which must be a Telephone Company serving wire center. When two of the nodes are customer designated locations, both must be served by the same serving wire center and only one customer location can be without an Express Connect CDL Node. The Express Connect is provided at a bandwidth of OC3, OC12 or OC48 and may be ordered under a one (1) year, three (3) year, five (5) year or seven (7) year Term Payment Plan (TPP).

The Express Connect has three rate elements, a "First System" with optional "Additional System(s) and Additional Express Nodes." The customer may order up to three "Additional Systems" of OC3, OC12, or OC48 bandwidth not to exceed OC12, OC48 or OC192 bandwidth capacity respectively. Rider charges for Express Connect are included in its monthly rate.

The customer may subscribe to -Banded Optical Transport with Express Connect.

The customer may also subscribe to Telephone Company provided banded SONET transport with Express Connect, provided that such connections are technically and operationally feasible, as determined by the Telephone Company.

The Express Connect may be ordered as switched or special access.

- # Effective August 15, 2009, orders for new Express Connect First Systems, Additional CDL Nodes, and/or Additional CO Nodes are no longer permitted. The Telephone Company will continue to provide Express Connect pursuant to this Section 20 on any existing Express Connect that is in-service as of August 15, 2009, or any order for Express Connect that is placed with the Telephone Company prior to August 15, 2009, (collectively, Existing Express Connect). Changes in bandwidth capacity, moves, and/or rearrangements are not permitted.

---

FACILITIES FOR INTERSTATE ACCESS

---

8. Optical Networking (Cont'd)
- (D) Application of Rates and Charges (Cont'd)
- (1) CONNECT (Cont'd)
- (i) Flex Express Connect #

The Flex Express Connect provides a connection to the Telephone Company's Ethernet Private Line wire center(s) via ring topology with a minimum of four nodes, two of which must be Telephone Company wire centers. When two or more of the nodes are customer designated locations, only one of those nodes may be without a Flex Express CDL Node. The Flex Express Connect is provided at a bandwidth of OC3, OC12 or OC48.

Flex Express Connect is comprised of four rate elements, a "First System" with optional "Additional System(s)", Additional Flex Nodes, and Flex Express Transport. The customer may order up to three "Additional System(s)" of OC3, OC12 or OC48 not to exceed OC12, OC48 or OC192 bandwidth capacity, respectively.

Flex Express Transport is applied to the entire circumference of the service and is measured from the serving wire center of the customer designated location(s) and the CO Nodes. Flex Express Transport is ordered with the "First System" and each "Additional System" Flex Express Connect in OC3, OC12 or OC48 bandwidth not to exceed OC12, OC48 or OC192 bandwidth capacity, respectively.

- # Effective August 15, 2009, orders for new Flex Express Connect First Systems, Additional CDL Nodes, and/or Additional CO Nodes are no longer permitted. The Telephone Company will continue to provide Flex Express Connect pursuant to this Section 20 on any existing Flex Express Connect that is in-service as of August 15, 2009, or any order for Flex Express Connect that is placed with the Telephone Company prior to August 15, 2009, (collectively, Existing Flex Express Connect). Changes in bandwidth capacity, moves, and/or rearrangements are not permitted.

---

FACILITIES FOR INTERSTATE ACCESS

---

8. Optical Networking (Cont'd)

(D) Application of Rates and Charges (Cont'd)

(1) CONNECT (Cont'd)

(i) Flex Express Connect # (Cont'd)

Flex Express may be ordered under a one (1) year, three (3) year or five (5) year or seven (7) year Term Payment Plan (TPP). After the initial order for Flex Express Connect, month-to-month rates shall apply for the additional Flex Nodes. When the TPP of the Flex Express "First System" expires and the customer does not renew the TPP as shown in 20(G)(2), the first Flex Express "Additional System" will assume the Flex Express "First System" rates.

The customer may subscribe to Banded Optical Transport with Flex Express Connect.

The customer may also subscribe to Telephone Company provided banded SONET transport with Flex Express Connect, provided that such connections are technically and operationally feasible, as determined by the Telephone Company.

Flex Express Connect may be ordered as switched or special access.

FACILITIES FOR INTERSTATE ACCESS

---

8. Optical Networking (Cont'd)(D) Application of Rates and Charges (Cont'd)(1) CONNECT (Cont'd)

## (j) Custom Connect#

The Custom Connect provides a connection to the Telephone Company's Optical Network and an access customer's designated location (CDL) or EIS arrangement. The Custom Connect is typically comprised of CO Nodes, CDL Links or SONET Premises Nodes, Transport and Riders. Certain configurations involving connection to an advanced data service may not require all of these rate elements. Each Custom Connect must consist of a minimum of two customer designated locations or one customer designated location or EIS arrangement and a wire center where connection to an advanced data service occurs. At least one of the locations must be a CDL Link.

The Custom Connect may be ordered as switched or special access. The Concatenated/Non-concatenated Custom Connect CDL Link is provided with a two fiber network interface. Where technically feasible, the Concatenated/Non-concatenated CDL Link may be optionally ordered with four fiber, 1+1 protected network interface, as Single or Diverse Route.

Custom Connect may connect to Intellilight® Optical Transport Service (IOTS) optical transport channels or may be provided over an IOTS backbone network as set forth in 20.1 following. IOTS combines DWDM and SONET technologies to create a high-speed backbone network.

Custom Connect Single Route and Diverse Route at OC12c and OC48c may also connect to an advanced data service at designated Telephone Company wire centers.

Custom Connect may also be connected to the following Telephone Company provided services, where such connections are technically and operationally feasible, as determined by the Telephone Company:

- dedicated SONET ring service
- point-to-point SONET service
- optical hubbing service
- DWDM ring service
- SONET entrance facility service
- ethernet private line service

# The following footnote is not applicable to the DS1, E1, DS3, or STS1 Rider rate elements or the DS1, E1, or DS3/STS1 Shared Transport rate elements of Custom Connect. This service is grandfathered and effective March 30, 2007, orders for new Custom Connect are no longer permitted.

---

FACILITIES FOR INTERSTATE ACCESS

---

8. Optical Networking (Cont'd)(D) Application of Rates and Charges (Cont'd)(1) CONNECT (Cont'd)

## (j) Custom Connect#

Custom Connect may also be provided over a Telephone Company provided DWDM ring backbone network, provided that such configurations are technically and operationally feasible, as determined by the Telephone Company.

CO Node

The CO Node rate element is applicable for each central office that is equipped with a fiber optic terminal in which the customer requests the ability to add/drop traffic to a CDL. Traffic is dropped from the CO Node via ports (lower speed drops). The CO Node may be ordered when a customer requires OC level multiplexing on the Custom Connect. If the customer wants to drop traffic below a DS3 at the CO Node, the customer must request a minimum DS1 interface and appropriate special access lines from Section 5. The CO Node may also be used when the customer wants to add/drop DS1 or DS3 traffic to a CDL located between the service areas shown under Section 5.2.7(H). The OC192 CO Node's ability to drop traffic below an OCn level is limited to new and in-service terminals technically capable of providing such directly from the ADM. See Rider section, herein, for further details. The appropriate multiplexing and access lines and transport rates from Section 5 will apply in addition to the CO Node and appropriate rider charges. However, multiplexing rates from Section 5 will not apply when the following conditions are met:

- (1) The Customer requests to drop a DS3 from a CO Node for the purpose of establishing a DS3 multiplexed facility in its serving wire center; and
- (2) the Customer subscribes to and is billed for the CO Node rate element; and
- (3) the Customer CO Node is located in the same central office building where the DS3 multiplexed facility is to be located.

When the Customer CO Node is not located within the wire center serving the CDL, rates including the 3/1 multiplex rates apply as set forth in Section 5 and other Sections of this tariff. These charges are in addition to the appropriate CO Node, rates associated with transport of the DS3 facility to the wire center where the CO Node is located and rider charges applicable under this Section 20.

The CO Node, or in the alternative a CDL Link and multiplexer, is also required when Custom Connect provides the optical transmission facilities that connect an advanced data service to a CDL or to an EIS arrangement located in a different wire center.

The CO Node may be ordered at an OC3, OC12, OC48 or OC192 bandwidth capacity.

---



---

FACILITIES FOR INTERSTATE ACCESS

---

8. Optical Networking (Cont'd)

(D) Application of Rates and Charges (Cont'd)

(1) CONNECT (Cont'd)

(j) Custom Connect#

CDL Link

The CDL Link rate element is applicable for each customer designated location in which the customer requests the ability to add/drop traffic. The CDL Link is offered as Single Route, Diverse Route or Ring Route and may be ordered with premise multiplexer provided or with premise fiber meet provided as OC3, OC12, OC48 or OC192 bandwidth capacity. Only one CDL Link per connect may be ordered with premise fiber meet provided. The premise fiber meet will terminate on a fiber cross connect panel at the demarcation point. CDL Link with premise fiber meet is not available for jointly provided meetpoint arrangements except where Verizon provides a node within its network to the customer.

If more than two Links or Nodes are ordered on the same order, the CDL Link must be ordered as a Ring Route CDL Link. A Ring Route CDL Link has a minimum of three nodes, one of which must be located in a Telephone Company wire center. A Custom Connect ordered via a ring topology will be provided with a service guarantee as shown in 2.8.1.1(A)(9). When Custom Connect is configured in a ring topology and is ordered under a meet point billing arrangement in which the Telephone Company acts as an intermediate carrier as set forth in Section 2.7.3 preceding, a CO Node is required.

The CDL Link may be ordered as Single Route or Diverse Route with concatenated or non-concatenated optical interface for OC3/OC3c, OC12/OC12c and OC48/OC48c. These CLD Links will terminate on a fiber cross connect panel at the demarcation point. The rider charges are included in the monthly rate for these CDL Links.

The CDL Link may also be ordered as 1.25 Gbps and 2.5 Gbps Single Route or Diverse Route. This CDL Link cannot ride a higher level facility and can only be ordered CDL to CDL.

When Custom Connect is provided over an IOTS backbone and the transport between the nodes is provided using IOTS optical transport channels, a SONET Premises Node applies in lieu of the CDL Link to each customer designated location of the Custom Connect ring where SONET multiplexing is required.

When Custom Connect is provided over a Telephone Company provided DWDM backbone and the transport between the nodes is provided using DWDM optical transport channels, a SONET Premises Node applies in lieu of the CDL Link to each customer designated location of the Custom Connect ring where SONET multiplexing is required.

---

FACILITIES FOR INTERSTATE ACCESS

8. Optical Networking (Cont'd)

(D) Application of Rates and Charges (Cont'd)

(1) CONNECT (Cont'd)

(j) Custom Connect#

CDL Link with Optical Cross Connect

The CDL Link with Optical Cross Connect provides the communications path between the Telephone Company provided electronics and a customer's transmission equipment and facilities where the customer is provided EIS as defined in Section 17. This rate element includes the intra-office connection from the Telephone Company fiber optic terminal and the optical jumpers to facilitate the cross connect to the customer's transmission equipment and facilities within the Telephone Company wire center. When the CDL Link with Optical Cross Connect is provided, an Optical Facility Termination as set forth in Section 17.9.3 is not applicable. This rate element allows connectivity to Verizon Dedicated SONET Ring (DSR), a Telephone Company provided dedicated SONET ring or an advanced data service.

The CDL Link with Optical Cross Connect will be provided as single route without telephone company provided electronics at OC3, OC3c, OC12, OC12c, OC48, OC48c or OC192 bandwidth levels as ordered by the customer.

When Custom Connect is configured to another customer designated location, the appropriate CDL Link rate element is applicable from the customer-designated location to the serving wire center. In this case, the CDL Link rate element applies in addition to the CDL Link with Optical Cross Connect rate element. Rates for the CDL Link with Optical Cross Connect are shown in 20(L)(33) will apply in addition to other charges specified in Section 17.

Network Channel Interfaces

The network channel interface codes define the bit rates that are available. Network Channel interfaces and codes are defined below:

<u>Service</u>	<u>Ports</u>	<u>Codes</u>
OC3, OC3c	2 Fiber	02SOF.D(B&F)
OC3, OC3c	4 Fiber, 1+1 Protection	04SOF.D(B&F)
STM1	2 Fiber	02SOF.D(B&F)
STM1	4 Fiber, 1+1 Protection	04SOF.D(B&F)
OC12, OC12c, STM4	2 Fiber	02SOF.D(B&F)
OC12, OC12c, STM4	4 Fiber, 1+1 Protection	04SOF.D(B&F)
OC48, OC48c	2 Fiber	02SOF.D(B&F)
OC48, OC48c	4 Fiber, 1+1 Protection	04SOF.D(B&F)

---

FACILITIES FOR INTERSTATE ACCESS

---

8. Optical Networking (Cont'd)

(D) Application of Rates and Charges (Cont'd)

(1) CONNECT (Cont'd)

(j) Custom Connect#

Transport

Transport may be ordered as shared or dedicated. Shared Transport is applicable when the transport between nodes and/or Links is ordered at different bandwidth levels. The Dedicated Transport is applicable when transport between the Nodes and/or Links is of the same bandwidth level. Dedicated Transport is also applicable when transport between a wire center offering connection to an advanced data service and the CDL Link or CLD Link with Optical Cross Connect, as applicable.

Shared Transport may be ordered in bandwidths of DS1, DS3/STS1, OC3, OC3c, E1, OC12, OC12c, OC48 or OC48c. Dedicated Transport may be ordered in bandwidths of OC3, OC3c, OC12, OC12c, OC48, OC48c and OC192, 1.25 Gbps and 2.5 Gbps. The transport is mileage sensitive and will be calculated based on the V&H coordinates of the wire centers comprising each segment of the custom connect service. DS1, E1, and DS3/STS1 Shared Transport may also be ordered in combination with Telephone Company provided point-to-point SONET service.

The Transport is provided at a flat-rated monthly recurring charge.

When point to point Custom Connect is provided over an Intellilight® Optical Transport Service (IOTS) backbone network as set forth in Section 20.1 following, connection between the Custom Connect nodes is provided using an IOTS optical transport channel in lieu of Custom Connect transport. When Custom Connect configured in a ring topology is provided over an IOTS backbone network, connection between the SONET nodes (Custom Connect CO Nodes and/or SONET Premises Nodes) is provided using unprotected IOTS optical transport channels as set forth in Section 20.1 in lieu of Custom Connect transport. Since protection is inherent in the Custom Connect service, protection is not required on the IOTS optical transport channels.

When point-to-point Custom Connect is provided over a Telephone Company provided DWDM backbone network, connection between the Custom Connect nodes is provided using a DWDM optical transport channel in lieu of Custom Connect transport. When Custom Connect configured in a ring topology is provided over a Telephone Company provided DWDM backbone network, connection between the SONET nodes (Custom Connect CO Nodes and/or SONET Premises Nodes) is provided using unprotected DWDM optical transport channels in lieu of Custom Connect transport. Since protection is inherent in the Custom Connect service, protection is not required on the DWDM optical transport channels.

---

FACILITIES FOR INTERSTATE ACCESS

---

8. Optical Networking (Cont'd)

(D) Application of Rates and Charges (Cont'd)

(1) CONNECT (Cont'd)

(j) Custom Connect#

Transport

Connection of Custom Connect configured in a ring topology to an IOTS ring is provided over an equal speed, unprotected optical transport channel (e.g., an OC3 Custom Connect node would connect to a 155.52 Mbps unprotected IOTS channel). Each node of a Custom Connect ring must be located at the same customer designated location or central office as its corresponding IOTS node.

Connection of Custom Connect configured in a ring topology to a Telephone Company provided DWDM ring is provided over an equal speed, unprotected optical transport channel (e.g., an OC3 Custom Connect node would connect to a 155.52 Mbps unprotected DWDM channel). Each node of a Custom Connect ring must be located at the same customer designated location or central office as its corresponding DWDM node.

Rider

The Rider is the customer's service(s) traversing a higher bandwidth level. Riders may be provided at DS1, DS3, OC3, OC3c, OC12, OC12c, OC48, OC48c, STS1, E1, STM1 or STM4 bandwidth levels as required by the customer. DS1, E1, DS3, and STS1 Riders may also be ordered in combination with Telephone Company provided point-to-point SONET service.

The Rider is provided at a flat-rated monthly recurring charge and is applicable per rider circuit ordered. A Rider is not charged with a CDL Link – Single or Diverse Route – Concatenated/Non-concatenated optical interface. The Rider charges for Express Connect or Flex Express Connect are included in their monthly rates.

Four fiber 1+1 protection consists of two cards in the add/drop multiplexer, one working card and a second, standby card to provide automatic protection from a fault in the working card. The four fiber 1+1 protection is available with all Telephone Company provided add/drop multiplexers and with compatible CPE and applies per CDL. When a Rider is ordered with four fiber 1+1 protection, the protection charge applies in addition to the charge for the Rider. Prior to December 28, 2002, the Telephone Company provided four fiber, 1+1 protection at no charge, upon request of the customer. Customers with those interface arrangements on their Riders are grandfathered as of December 28, 2002, and are not subject to the optional feature charge.

Intrastate Riders may be transported on the customer's interstate Optical Networking facility. In jointly provided meetpoint arrangements, rider charges apply in addition to other applicable charges when Verizon provides any OCn mux node, whether provided at the customer premise or in the central office.

FACILITIES FOR INTERSTATE ACCESS

8. Optical Networking (Cont'd)

(D) Application of Rates and Charges (Cont'd)

(1) CONNECT (Cont'd)

(j) Custom Connect#

Acceptable rider speeds allowed by node type are as follows:

<u>NODES:</u>	<u>OC3</u>	<u>OC12</u>	<u>OC48</u>	<u>OC192</u>	
DS1 Rider	X	X*	X*	X*	
DS3 Rider	X	X	X	X*	
STS1 Rider	X	X	X	X	
OC3/OC3c Rider		X	X	X	
OC12/OC12c Rider				X	X
OC48/OC48c Rider				X	

\* This provision is only available from nodes that are technically capable of providing DS1 and DS3 drops directly from the OCn node terminal. The maximum capacity utilization that can be delivered by a OCn node terminal selected by the customer may be limited by the number and type of riders that are provisioned on the OCn node and are limited by the maximum number of interfaces available to the OCn backplane. Where the OCn terminal is technically capable of supporting lower bandwidth OCn nodes as a sub-multiplexer, Verizon may provide such at the customer premise and Central Office Node locations at the tariffed CO Node rates per sub-multiplexer node deployed.

SONET Premises Node - IOTS

The SONET Premises Node rate element applies at each CDL at which a SONET node is needed to complete a Custom Connect ring over an IOTS backbone network. The functionality and capabilities of the SONET Premises Node are the same as those specified for the CO Node preceding. The SONET Premises Node will only be provided when Custom Connect is configured in a ring or point to point topology in which the transport between the nodes (CO Node and/or SONET Premises Nodes) is provided using IOTS optical transport channels. IOTS is described in Section 20.1 following. The SONET Premises Node applies in lieu of the Custom Connect CDL Link.

The SONET Premises Node rate element also applies at each CDL at which a SONET node is needed to complete a Custom Connect ring over a Telephone Company provided DWDM backbone network. The SONET Premises Node will only be provided when Custom Connect is configured in a ring or point-to-point topology in which the transport between the nodes (CO Node and/or SONET Premises Nodes) is provided using DWDM optical transport channels. The SONET Premises Node applies in lieu of the Custom Connect CDL Link.

---

FACILITIES FOR INTERSTATE ACCESS

---

8. Optical Networking (Cont'd)

(D) Application of Rates and Charges (Cont'd)

(2) Optical Network Transport\*

The transport element provides for the interoffice Optical Network transport between wire centers on Telephone Company defined LANs. Each IC customer Connect must have its own transport. Transport cannot be shared among IC customer Connects.

Optical Network Transport may be provided as LAN-wide, LAN-wide Premium or Point-to-Point. J-SONET Transport may be purchased in DS0, DS1, or DS3 bandwidths. Band SONET Transport may be purchased in DS0, DS1, or DS3 Bandwidths.

(e) J-SONET Transport provides transport between the serving wire centers of the CDLs. J-SONET Transport may be provided at DS0, DS1 or DS3 bandwidth levels as required by the customer. The bandwidth of the transport must be the same as the bandwidth of the CO Connect or the payload, e.g., DS0 J-SONET requires a DS0 connect and DS3 J-SONET Transport requires a DS3 CO Connect. J-SONET Transport may be ordered as switched or special access.

J-SONET Transport is provided at a non-distance sensitive flat rated monthly charge per LAN traversed.

\* Grandfathered to existing service effective December 26, 1998.

---

FACILITIES FOR INTERSTATE ACCESS

---

8. Optical Networking (Cont'd)

(D) Application of Rates and Charges (Cont'd)

(2) Optical Network Transport\* (Cont'd)

The transport element provides for the interoffice Optical Network transport between wire centers on Telephone Company defined LANs. Each IC customer Connect must have its own transport. Transport cannot be shared among IC customer Connects.

Optical Network Transport may be provided as LAN-wide, LAN-wide Premium or Point-to-Point. Band SONET Transport may be purchased in DS0, DS1, or DS3 Bandwidths.

- (f) Banded Optical Transport provides transport between the serving wire center of the interexchange access customer's location and the access customer's end user premises. Banded Optical Transport may be provided at DS0, DS1, DS3, or STS1 bandwidth levels as required by the customer. When Banded Optical is ordered at a DS0 level, the customer must request a minimum of a DS1 interface at the IC customer wire center and will be charged for the appropriate rider (i.e., DS1 or DS3). Banded Optical Transport is provided with a service guarantee as shown in 2.8.1.1(A)(9). For subscription to Banded Optical Transport, the customer must have an accumulative demand requirement, whether provided pursuant to this Section 20 or as Telephone Company provided banded SONET transport, equivalent to an average of nine DS3s, i.e., 5,978 channels, per LATA. The Telephone Company will include Banded Optical Transport ordered pursuant to this Section 20 and Telephone Company provided banded SONET transport for the customer's accumulative demand requirement. The bandwidth will be reviewed annually at a mutually agreed upon date by the customer and the Company. An allowance of minus 2% will be considered as having met the commitment level. Should the bandwidth fall below minus 2%, the customer will have thirty (30) days to meet the bandwidth requirement. If not met, the customer will be notified by the Telephone Company and will be required to convert from Banded Optical Transport to another Ethernet Private Line Transport option.

\* Grandfathered to existing service effective December 26, 1998.

---

FACILITIES FOR INTERSTATE ACCESS

---

8. Optical Networking (Cont'd)
- (D) Application of Rates and Charges (Cont'd)
- (2) Optical Network Transport\* (Cont'd)
- (f) (Cont'd)

Banded Optical Transport is provided at a flat-rated monthly charge for one (1) year, three (3) year, five (5) year, or seven (7) year Term Payment Plans (TPPs). The term period for Banded Optical Transport cannot exceed the term period of the Connect. Banded Optical Transport includes the special access line from the end user serving wire center to the end user premises, for both on-net and off-net, with the exception of jointly provided Banded Optical Transport. Banded Optical Transport will be provisioned at the highest network facility available at the time of the order. The monthly rate will be determined based on the mileage between the serving wire centers of the customer designated locations and is applicable on a per circuit basis. Mileage will be rounded up to the next whole mile except when the CDLs are collocated.

When both customer designated locations are provided by the Telephone Company, wholly provided, the monthly rates as shown in 20(L)(66) are applicable. When one of the customer designated locations is provided by another telephone company, or the customer terminates at a multiplexer in a wire center on the IOF, jointly provided, the monthly rates as shown in 20(L)(67) shall apply. For jointly provided transport with another telephone company, the meet point billing mileage calculation is specified in Section 2.7.3.

Banded Optical Transport may be ordered as switched or special access.

\* Grandfathered to existing service effective December 26, 1998.



---

FACILITIES FOR INTERSTATE ACCESS

---

8. Optical Networking (Cont'd)

(D) Application of Rates and Charges (Cont'd)

(3) Payload\*

Payload is the customer service riding on the shared IOF transport and/or the activation of the service(s). Payload is provided at a flat-rated monthly recurring charge which includes add/drop multiplexing and is applicable at the wire center for each customer designated location, with the exception of CO Connects and Banded Optical Transport. Payload services include DS1, DS3, OC3, OC3c, OC12, OC12c, STS1 and STM1. Payload services may be ordered as switched or special access.

\* Grandfathered to existing service effective December 26, 1998.

---

 FACILITIES FOR INTERSTATE ACCESS
 

---

8. Optical Networking (Cont'd)(G) Rate Regulations

Optical Networking may be ordered under a one (1), three (3), five (5), or seven (7) year Term Payment Plan (TPP). Any TPP for these services is subject to an TPP Termination Liability Charge as specified herein.

When ordered together the TPP applies to Connects, Banded Optical Transport and Additional Nodes

(1) Changes in Length of a TPP

Prior to the expiration of a TPP period, the customer may elect to convert to a new TPP period of the same or different length, subject to the following conditions:

- No credit will be given for the new period for payments made under the original TPP arrangement.
- NRCs will not be reapplied for existing services.
- If the new TPP period is shorter in length than the time remaining under the existing TPP, the change to the new TPP period constitutes a disconnect of the existing TPP service and termination liability charges will apply.
- The rates for the new period will be the rates currently in effect at the time of the change.
- If the customer subscribes to a new TPP which is greater in length than the initial TPP term and discontinues one or all of the service elements prior to the expiration of the new termination liability period, the termination liability, as set forth below, will apply based on the remainder of the TPP period in effect at the time of the disconnect.

<u>Year in which Service Is Discontinued</u>	<u>Liability Rate</u>
1	100%
2	75%
3	50%
4 or more	25%

---

FACILITIES FOR INTERSTATE ACCESS

---

8. Optical Networking (Cont'd)

(G) Rate Regulations (Cont'd)

(2) Renewal Options

Ninety (90) days prior to the expiration of the existing TPP, the customer shall submit in writing to select a new TPP or disconnect service. If no notice is received, the Company will automatically reconnect the customer to a new TPP with the same term life as the previous.

After completion of the initial TPP term and the customer subscribes to a new term that is longer in length the termination liability, as set forth below, will apply based on the remainder of the TPP period in effect at the time of the disconnect.

<u>Year in which Service Is Discontinued</u>	<u>Liability Rate</u>
1	20%
2	15%
3	10%
4 or more	5%

(3) Conversion

When an existing customer purchases Optical Networking, the customer may upgrade their existing special access services to Optical Networking. The upgrade may require physical network changes, as well as changes to existing billing arrangements. Physical changes consist of reterminating existing services not currently utilizing the Optical network.

Termination liability charges will not apply to the customer's existing services provided the Optical Networking TPP term commitment agreement is equal to or longer in length than the time remaining for the existing arrangement.

(4) Rate Changes

The TPP rates are exempt from Telephone Company initiated increases for the length of the plan, however, decreases will be passed on to the customer. Rate changes may occur as a result of FCC action.

---

FACILITIES FOR INTERSTATE ACCESS

---

8. Optical Networking (Cont'd)

(G) Rate Regulations (Cont'd)

(5) Termination Liability

In the event the customer discontinues one or all of the service elements (Connect, Banded Optical Transport, Additional Node) prior to the end of the termination liability period, initial termination liability charges, as set forth below, will apply based on the remainder of the TPP period in effect at the time of the disconnect.

<u>Year in which Service Is Discontinued</u>	<u>Liability Rate</u>
1	40%
2	35%
3	30%
4 or more	25%

(6) Termination Without Liability

For Banded Optical Transport, termination charges will not apply when the customer disconnects a DS0 or DS1 on a circuit by circuit basis provided the required accumulative bandwidth is met as shown in 20(D)(2)(f).

(7) Upgrade to Higher Bandwidth

The Customer who has grown incrementally, may elect to upgrade service to a higher bandwidth during a TPP period to gain economic efficiencies. Termination charges will not apply as long as the upgraded service remains connected at the same point of termination(s), unless the network is being redesigned to gain network efficiency. Nonrecurring charges associated with the new bandwidth upgrade shall apply.

(8) Change in Interface

The Customer may elect to change service from a 2-fiber interface to a 4-fiber interface during a TPP. Termination charges will not apply as long as the changed service remains at the same point of termination(s).

---

FACILITIES FOR INTERSTATE ACCESS

---

8. Optical Networking (Cont'd)

(H) Off-Net Wire Center

Off-Net wire center is a wire center not a designated Optical Networking wire center office. The customer may order a DS0, DS1, DS3 or E1 to the Off-Net wire center. Mileage charges will be determined based on airline miles to the nearest on-net wire center at the transport rates shown in Section 5.

Circuits connected to the Off-Net wire center will be billed existing tariffed rates as shown in Section 5.

(I) Shared Use

Shared Use is the provisioning of Switched Access over Optical Networking. Rating as Optical Networking will continue until such time as a portion of the available Optical Networking capacity is used to provide Switched Access service.

For shared use, a special access DS3 interface must be ordered between the IC customer and the IC customer wire center. When switched trunks are ordered, a DS1 switched interface must be ordered for the switched trunks. A DS3 or DS1 interface ordered as Switched Access will be used exclusively for Switched Access.

As individual channels are activated for Switched Access, monthly charges will be adjusted between Switched Access and Optical Networking Access based on the number of channels used for Switched Access and the remaining Optical Networking Access facility.

The total Shared Use for Switched Access charge is equal to the number of channels used for Switched Access divided by 24 for DS1 or 672 for DS3 times the Monthly Switched Access Charges. The monthly Switched Access rates used will be the current rates for Switched Access Entrance Facility, Direct-Trunked Transport Facility, Direct-Trunked Transport Termination and Multiplexer.

FACILITIES FOR INTERSTATE ACCESS

8. Optical Networking (Cont'd)

(J) Optical Networking LANs \* (Cont'd)

<u>State</u>	<u>CLLI</u>	<u>Wire Center</u>	<u>LAN Name</u>	<u>Contiguous LAN</u>
TX	GRLDTXXA	GARLAND MAIN	Plano	
TX	GRLDTXXB	GARLAND SOUTH	Plano	
TX	GRLDTXXC	GARLAND NORTH	Plano	
TX	PLANTXXA	PLANO MAIN	Plano	
TX	PLANTXXB	PLANO WEST	Plano	
TX	PLANTXXD	PLANO NORTHWEST	Plano	Carrollton/Lewisville
TX	PLANTXXF	PLANO CROSSCREEK	Plano	
TX	PLANTXXK	PLANO NORTH	Plano	
TX	WYLITXXA	WYLIE	Plano	
TX	SHMNTXXA	SHERMAN	Plano	
TX	IRNGTXXA	IRVING WEST	Irving	
TX	IRNGTXXB	IRVING MAIN	Irving	
TX	IRNGTXXC	IRVING EAST	Irving	
TX	IRNGTXXD	IRVING SOUTHWEST	Irving	
TX	IRNGTXXE	IRVING NORTH	Irving	
TX	IRNGTXXF	IRVING WOODBINE	Irving	
TX	IRNGTXXG	IRVING WALNUT HILL	Irving	
TX	CRTNTXXA	CARROLLTON MAIN	Carrollton/Lewisville	
TX	CRTNTXXB	CARROLLTON NORTH	Carrollton/Lewisville	
TX	CRTNTXXC	CARROLLTON NORTHEAST	Carrollton/Lewisville	Plano
TX	CRTNTXXD	CARROLLTON SOUTHEAST	Carrollton/Lewisville	
TX	GRPVTXXA	GRAPEVINE MAIN	Carrollton/Lewisville	Irving
TX	KLLRTXXA	KELLER MAIN	Carrollton/Lewisville	
TX	LWVLTXXA	LEWISVILLE MAIN	Carrollton/Lewisville	
TX	LWVLTXXB	LEWISVILLE SOUTH	Carrollton/Lewisville	Irving
TX	LWVLTXXC	LEWISVILLE WEST	Carrollton/Lewisville	
TX	LWVLTXXF	LEWISVILLE GARDEN RIDGE	Carrollton/Lewisville	
TX	LWVLTXXE	LEWISVILLE ROUND GROVE	Carrollton/Lewisville	
TX	DNTNTXXA	DENTON	Carrollton/Lewisville	

\* Reference 20(C) for availability of service.

FACILITIES FOR INTERSTATE ACCESS

---

8. Optical Networking (Cont'd)

(L) Rates and Charges\*\* (Cont'd)

(29) Express Connect # - First System - OC3

	<u>One Year Monthly Rate</u>	<u>Three Year Monthly Rate</u>	<u>Five Year Monthly Rate</u>	<u>Seven Year Monthly Rate</u>
Jurisdiction				
Texas	7,800.00	7,150.00	6,500.00	6,400.00

Express Connect # - Additional System - OC3

	<u>One Year Monthly Rate</u>	<u>Three Year Monthly Rate</u>	<u>Five Year Monthly Rate</u>	<u>Seven Year Monthly Rate</u>
Jurisdiction				
Texas	1,100.00	1,100.00	1,100.00	1,100.00

\*\* These rates and charges apply to both Price Bands and N-MSA rates and charges.

FACILITIES FOR INTERSTATE ACCESS

---

8. Optical Networking (Cont'd)

(L) Rates and Charges\*\* (Cont'd)

(30) Express Connect # - First System - OC12

	<u>One Year Monthly Rate</u>	<u>Three Year Monthly Rate</u>	<u>Five Year Monthly Rate</u>	<u>Seven Year Monthly Rate</u>
Jurisdiction				
Texas	13,500.00	11,300.00	10,700.00	10,600.00

Express Connect # - Additional System - OC12

	<u>One Year Monthly Rate</u>	<u>Three Year Monthly Rate</u>	<u>Five Year Monthly Rate</u>	<u>Seven Year Monthly Rate</u>
Jurisdiction				
Texas	2,200.00	2,100.00	2,100.00	2,100.00

\*\* These rates and charges apply to both Price Bands and N-MSA rates and charges.



FACILITIES FOR INTERSTATE ACCESS

---

8. Optical Networking (Cont'd)

(L) Rates and Charges\*\* (Cont'd)

(30) (Cont'd)

Express Connect # - First System - OC48

	<u>One Year Monthly Rate</u>	<u>Three Year Monthly Rate</u>	<u>Five Year Monthly Rate</u>	<u>Seven Year Monthly Rate</u>
Jurisdiction				
Texas	27,625.00	27,125.00	26,750.00	26,350.00

Express Connect # - Additional System - OC48

	<u>One Year Monthly Rate</u>	<u>Three Year Monthly Rate</u>	<u>Five Year Monthly Rate</u>	<u>Seven Year Monthly Rate</u>
Jurisdiction				
Texas	9,135.00	9,000.00	9,000.00	9,000.00

\*\* These rates and charges apply to both Price Bands and N-MSA rates and charges.

FACILITIES FOR INTERSTATE ACCESS

---

8. Optical Networking (Cont'd)

(L) Rates and Charges\*\* (Cont'd)

(31) Flex Express Connect # - First System - OC3

	<u>One Year Monthly Rate</u>	<u>Three Year Monthly Rate</u>	<u>Five Year Monthly Rate</u>	<u>Seven Year Monthly Rate</u>
Jurisdiction				
Texas	12,050.00	10,600.00	10,000.00	9,900.00

Flex Express Connect # - Additional System - OC3

	<u>One Year Monthly Rate</u>	<u>Three Year Monthly Rate</u>	<u>Five Year Monthly Rate</u>	<u>Seven Year Monthly Rate</u>
Jurisdiction				
Texas	1,200.00	1,200.00	1,200.00	1,200.00

\*\* These rates and charges apply to both Price Bands and N-MSA rates and charges.

FACILITIES FOR INTERSTATE ACCESS

---

8. Optical Networking (Cont'd)

(L) Rates and Charges\*\* (Cont'd)

(31) (Cont'd)

Express and Flex Express # - Additional CDL Node - OC3

	<u>Monthly Rate</u>	<u>One Year Monthly Rate</u>	<u>Three Year Monthly Rate</u>	<u>Five Year Monthly Rate</u>	<u>Seven Year Monthly Rate</u>
Jurisdiction					
Texas	3,600.00	3,300.00	3,300.00	3,300.00	3,300.00

Express and Flex Express # - Additional CO Node - OC3

	<u>Monthly Rate</u>	<u>One Year Monthly Rate</u>	<u>Three Year Monthly Rate</u>	<u>Five Year Monthly Rate</u>	<u>Seven Year Monthly Rate</u>
Jurisdiction					
Texas	2,500.00	2,200.00	2,200.00	2,200.00	2,200.00

\*\* These rates and charges apply to both Price Bands and N-MSA rates and charges.

FACILITIES FOR INTERSTATE ACCESS

---

8. Optical Networking (Cont'd)

(L) Rates and Charges\*\* (Cont'd)

(31) (Cont'd)

Flex Express # - First System Transport - OC3

Monthly Rate

Jurisdiction

Texas	170.00
-------	--------

Flex Express # - Additional System Transport - OC3

Monthly Rate

Jurisdiction

Texas	25.00
-------	-------

\*\* These rates and charges apply to both Price Bands and N-MSA rates and charges.

FACILITIES FOR INTERSTATE ACCESS

---

8. Optical Networking (Cont'd)

(L) Rates and Charges\*\* (Cont'd)

(32) Flex Express Connect # - First System - OC12

	<u>One Year Monthly Rate</u>	<u>Three Year Monthly Rate</u>	<u>Five Year Monthly Rate</u>	<u>Seven Year Monthly Rate</u>
Jurisdiction				
Texas	19,700.00	17,000.00	16,200.00	16,100.00

Flex Express Connect # - Additional System - OC12

	<u>One Year Monthly Rate</u>	<u>Three Year Monthly Rate</u>	<u>Five Year Monthly Rate</u>	<u>Seven Year Monthly Rate</u>
Jurisdiction				
Texas	2,300.00	2,300.00	2,300.00	2,300.00

\*\* These rates and charges apply to both Price Bands and N-MSA rates and charges.

FACILITIES FOR INTERSTATE ACCESS

---

8. Optical Networking (Cont'd)

(L) Rates and Charges\*\* (Cont'd)

(32) (Cont'd)

Express and Flex Express # - Additional CDL Node - OC12

	<u>Monthly Rate</u>	<u>One Year Monthly Rate</u>	<u>Three Year Monthly Rate</u>	<u>Five Year Monthly Rate</u>	<u>Seven Year Monthly Rate</u>
Jurisdiction					
Texas	5,700.00	5,600.00	5,500.00	5,250.00	5,250.00

Express and Flex Express # - Additional CO Node - OC12

	<u>Monthly Rate</u>	<u>One Year Monthly Rate</u>	<u>Three Year Monthly Rate</u>	<u>Five Year Monthly Rate</u>	<u>Seven Year Monthly Rate</u>
Jurisdiction					
Texas	3,500.00	3,425.00	3,350.00	3,100.00	3,100.00

\*\* These rates and charges apply to both Price Bands and N-MSA rates and charges.

FACILITIES FOR INTERSTATE ACCESS

---

8. Optical Networking (Cont'd)

(L) Rates and Charges\*\* (Cont'd)

(32) (Cont'd)

Flex Express # - First System Transport - OC12

Monthly Rate

Jurisdiction

Texas	240.00
-------	--------

Flex Express # - Additional System Transport - OC12

Monthly Rate

Jurisdiction

Texas	45.00
-------	-------

\*\* These rates and charges apply to both Price Bands and N-MSA rates and charges.

FACILITIES FOR INTERSTATE ACCESS

---

8. Optical Networking (Cont'd)

(L) Rates and Charges\*\* (Cont'd)

(32) (Cont'd)

Flex Express Connect # - First System - OC48

	<u>One Year Monthly Rate</u>	<u>Three Year Monthly Rate</u>	<u>Five Year Monthly Rate</u>	<u>Seven Year Monthly Rate</u>
Jurisdiction				
Texas	33,425.00	33,100.00	32,700.00	32,300.00

Flex Express Connect # - Additional System - OC48

	<u>One Year Monthly Rate</u>	<u>Three Year Monthly Rate</u>	<u>Five Year Monthly Rate</u>	<u>Seven Year Monthly Rate</u>
Jurisdiction				
Texas	11,316.00	11,316.00	11,316.00	11,316.00

\*\* These rates and charges apply to both Price Bands and N-MSA rates and charges.



FACILITIES FOR INTERSTATE ACCESS

---

8. Optical Networking (Cont'd)

(L) Rates and Charges\*\* (Cont'd)

(32) (Cont'd)

Express and Flex Express # - Additional CDL Node - OC48

	<u>Monthly Rate</u>	<u>One Year Monthly Rate</u>	<u>Three Year Monthly Rate</u>	<u>Five Year Monthly Rate</u>	<u>Seven Year Monthly Rate</u>
Jurisdiction					
Texas	12,945.00	11,945.00	11,945.00	11,945.00	11,945.00

Express and Flex Express # - Additional CO Node - OC48

	<u>Monthly Rate</u>	<u>One Year Monthly Rate</u>	<u>Three Year Monthly Rate</u>	<u>Five Year Monthly Rate</u>	<u>Seven Year Monthly Rate</u>
Jurisdiction					
Texas	9,130.00	9,130.00	9,130.00	9,130.00	9,130.00

\*\* These rates and charges apply to both Price Bands and N-MSA rates and charges.

FACILITIES FOR INTERSTATE ACCESS

---

8. Optical Networking (Cont'd)

(L) Rates and Charges\*\* (Cont'd)

(32) (Cont'd)

Flex Express # - First System Transport - OC48

Monthly Rate

Jurisdiction

Texas	500.00
-------	--------

Flex Express # - Additional System Transport - OC48

Monthly Rate

Jurisdiction

Texas	100.00
-------	--------

\*\* These rates and charges apply to both Price Bands and N-MSA rates and charges.

FACILITIES FOR INTERSTATE ACCESS

---

8. Optical Networking (Cont'd)

(L) Rates and Charges\*\* (Cont'd)

(33) Custom Connect - Rider - DS1

<u>Jurisdiction</u>	<u>Monthly Rate</u>
Texas	75.00

\*\* These rates and charges apply to both Price Bands and N-MSA rates and charges.

FACILITIES FOR INTERSTATE ACCESS

---

8. Optical Networking (Cont'd)

(L) Rates and Charges\*\* (Cont'd)

(33) Custom Connect - Rider – DS3

<u>Jurisdiction</u>	<u>Monthly Rate</u>
Texas	250.00

\*\* These rates and charges apply to both Price Bands and N-MSA rates and charges.

FACILITIES FOR INTERSTATE ACCESS

---

8. Optical Networking (Cont'd)

(L) Rates and Charges\*\* (Cont'd)

(34) Custom Connect – Shared Transport – DS1

<u>Jurisdiction</u>	<u>Per Mile Monthly Rate</u>
---------------------	----------------------------------

Texas	12.00
-------	-------

Custom Connect – Shared Transport – DS3/STS1

<u>Jurisdiction</u>	<u>Per Mile Monthly Rate</u>
---------------------	----------------------------------

Texas	56.70
-------	-------

Custom Connect – Shared Transport – OC3/OC3c

<u>Jurisdiction</u>	<u>Per Mile Monthly Rate</u>
---------------------	----------------------------------

Texas	210.00
-------	--------

Custom Connect – Shared Transport – OC12/OC12c

<u>Jurisdiction</u>	<u>Per Mile Monthly Rate</u>
---------------------	----------------------------------

Texas	450.00
-------	--------

Custom Connect – Shared Transport – OC48/OC48c

<u>Jurisdiction</u>	<u>Per Mile Monthly Rate</u>
---------------------	----------------------------------

Texas	\$1125.00
-------	-----------

\*\* These rates and charges apply to both Price Bands and N-MSA rates and charges.

FACILITIES FOR INTERSTATE ACCESS

---

8. Optical Networking (Cont'd)

(L) Rates and Charges\*\* (Cont'd)

(66) Transport - Banded Optical - DS0 (Wholly Provided)

Jurisdiction	<u>One Year Monthly Rate</u>	<u>Three Year Monthly Rate</u>
Texas		
0 miles	\$95.00	\$91.00
1 - 10 miles	97.00	93.00
11 - 20 miles	99.00	95.00
21 + miles	101.00	97.00

\*\* These rates and charges apply to both Price Bands and N-MSA rates and charges.

FACILITIES FOR INTERSTATE ACCESS

---

8. Optical Networking (Cont'd)

(L) Rates and Charges\*\* (Cont'd)

(66) (Cont'd)

Transport - Banded Optical - DS0 (Wholly Provided)

Jurisdiction	<u>Five Year Monthly Rate</u>	<u>Seven Year Monthly Rate</u>
Texas		
0 miles	\$86.00	\$85.00
1 - 10 miles	87.00	86.00
11 - 20 miles	90.00	89.00
21 + miles	92.00	91.00

\*\* These rates and charges apply to both Price Bands and N-MSA rates and charges.

FACILITIES FOR INTERSTATE ACCESS

---

8. Optical Networking (Cont'd)

(L) Rates and Charges\*\* (Cont'd)

(66) (Cont'd)

Transport - Banded Optical - DS1 (Wholly Provided)

Jurisdiction	<u>One Year Monthly Rate</u>	<u>Three Year Monthly Rate</u>
Texas		
0 miles	\$205.00	\$181.00
1 - 10 miles	285.00	252.00
11 - 20 miles	305.00	278.00
21 + miles	350.00	302.00

\*\* These rates and charges apply to both Price Bands and N-MSA rates and charges.



FACILITIES FOR INTERSTATE ACCESS

---

8. Optical Networking (Cont'd)

(L) Rates and Charges\*\* (Cont'd)

(66) (Cont'd)

Transport - Banded Optical - DS1 (Wholly Provided)

Jurisdiction	<u>Five Year Monthly Rate</u>	<u>Seven Year Monthly Rate</u>
Texas		
0 miles	\$175.00	\$168.00
1 – 10 miles	245.00	235.00
11 - 20 miles	270.00	258.00
21 + miles	285.00	271.00

\*\* These rates and charges apply to both Price Bands and N-MSA rates and charges.

FACILITIES FOR INTERSTATE ACCESS

---

8. Optical Networking (Cont'd)

(L) Rates and Charges\*\* (Cont'd)

(66) (Cont'd)

Transport - Banded Optical - DS3 (Wholly Provided)

Jurisdiction	<u>One Year Monthly Rate</u>	<u>Three Year Monthly Rate</u>
Texas		
0 miles	\$1,800.00	\$1,700.00
1 - 10 miles	2,600.00	2,450.00
11 - 20 miles	4,000.00	3,700.00
21 + miles	5,200.00	4,800.00

\*\* These rates and charges apply to both Price Bands and N-MSA rates and charges.

FACILITIES FOR INTERSTATE ACCESS

---

8. Optical Networking (Cont'd)

(L) Rates and Charges\*\* (Cont'd)

(66) (Cont'd)

Transport - Banded Optical - DS3 (Wholly Provided)

Jurisdiction	<u>Five Year Monthly Rate</u>	<u>Seven Year Monthly Rate</u>
Texas		
0 miles	\$1,600.00	\$1,500.00
1 - 10 miles	2,300.00	2,200.00
11 - 20 miles	3,400.00	3,200.00
21 + miles	4,500.00	4,200.00

\*\* These rates and charges apply to both Price Bands and N-MSA rates and charges.

FACILITIES FOR INTERSTATE ACCESS

---

8. Optical Networking (Cont'd)

(L) Rates and Charges\*\* (Cont'd)

(66) (Cont'd)

Transport - Banded Optical - STS1 (Wholly Provided)

Jurisdiction	<u>One Year Monthly Rate</u>	<u>Three Year Monthly Rate</u>
Texas		
0 miles	\$1,800.00	\$1,700.00
1 - 10 miles	2,600.00	2,450.00
11 - 20 miles	4,000.00	3,700.00
21 + miles	5,200.00	4,800.00

\*\* These rates and charges apply to both Price Bands and N-MSA rates and charges.

FACILITIES FOR INTERSTATE ACCESS

---

8. Optical Networking (Cont'd)

(L) Rates and Charges\*\* (Cont'd)

(66) (Cont'd)

Transport - Banded Optical - STS1 (Wholly Provided)

Jurisdiction	<u>Five Year Monthly Rate</u>	<u>Seven Year Monthly Rate</u>
Texas		
0 miles	\$1,600.00	\$1,500.00
1 - 10 miles	2,300.00	2,200.00
11 - 20 miles	3,400.00	3,200.00
21 + miles	4,500.00	4,200.00

\*\* These rates and charges apply to both Price Bands and N-MSA rates and charges.

FACILITIES FOR INTERSTATE ACCESS

---

8. Optical Networking (Cont'd)

(L) Rates and Charges\*\* (Cont'd)

(67) Transport - Banded Optical - DS0 (Jointly Provided)

Jurisdiction	<u>One Year Monthly Rate</u>	<u>Three Year Monthly Rate</u>
Texas		
1 - 10 miles	9.50	\$8.50
11 - 20 miles	11.25	10.25
21 + miles	14.25	13.25

\*\* These rates and charges apply to both Price Bands and N-MSA rates and charges.

FACILITIES FOR INTERSTATE ACCESS

---

8. Optical Networking (Cont'd)

(L) Rates and Charges\*\* (Cont'd)

(67) (Cont'd)

Transport - Banded Optical - DS0 (Jointly Provided)

Jurisdiction	<u>Five Year Monthly Rate</u>	<u>Seven Year Monthly Rate</u>
Texas		
1 - 10 miles	\$8.25	\$8.00
11 - 20 miles	10.00	9.75
21 + miles	12.75	12.50

\*\* These rates and charges apply to both Price Bands and N-MSA rates and charges.

FACILITIES FOR INTERSTATE ACCESS

---

8. Optical Networking (Cont'd)

(L) Rates and Charges\*\* (Cont'd)

(67) (Cont'd)

Transport - Banded Optical - DS1 (Jointly Provided)

Jurisdiction	<u>One Year Monthly Rate</u>	<u>Three Year Monthly Rate</u>
Texas		
1 - 10 miles	78.00	\$72.00
11 - 20 miles	115.00	105.00
21 + miles	150.00	143.00

\*\* These rates and charges apply to both Price Bands and N-MSA rates and charges.



FACILITIES FOR INTERSTATE ACCESS

---

8. Optical Networking (Cont'd)

(L) Rates and Charges\*\* (Cont'd)

(67) (Cont'd)

Transport - Banded Optical - DS1 (Jointly Provided)

Jurisdiction	<u>Five Year Monthly Rate</u>	<u>Seven Year Monthly Rate</u>
Texas		
1 - 10 miles	\$68.00	\$64.00
11 - 20 miles	101.00	94.00
21 + miles	135.00	126.00

\*\* These rates and charges apply to both Price Bands and N-MSA rates and charges.

FACILITIES FOR INTERSTATE ACCESS

---

8. Optical Networking (Cont'd)

(L) Rates and Charges\*\* (Cont'd)

(67) (Cont'd)

Transport - Banded Optical - DS3 (Jointly Provided)

Jurisdiction	<u>One Year Monthly Rate</u>	<u>Three Year Monthly Rate</u>
Texas		
1 - 10 miles	\$775.00	\$700.00
11 - 20 miles	2,200.00	2,025.00
21 + miles	3,700.00	3,400.00

\*\* These rates and charges apply to both Price Bands and N-MSA rates and charges.

FACILITIES FOR INTERSTATE ACCESS

---

8. Optical Networking (Cont'd)

(L) Rates and Charges\*\* (Cont'd)

(67) (Cont'd)

Transport - Banded Optical - DS3 (Jointly Provided)

Jurisdiction	<u>Five Year Monthly Rate</u>	<u>Seven Year Monthly Rate</u>
Texas		
1 - 10 miles	\$650.00	\$600.00
11 - 20 miles )	1,920.00	1,815.00
21 + miles	3,100.00	2,900.00

\*\* These rates and charges apply to both Price Bands and N-MSA rates and charges.

---

FACILITIES FOR INTERSTATE ACCESS

---

8. Optical Networking (Cont'd)

8.4 Dedicated SONET Entrance Facilities

(A) General

Dedicated SONET Entrance Facilities (DSEF) provides high capacity DS3s with enhanced survivability between a Customer Designated Location (CDL) and the Serving Wire Center (SWC) of that CDL. DSEF is provisioned over the Telephone Company's shared SONET network that includes a self-healing ring that passes through the CDL, the SWC of that CDL, and another wire center as determined by the Telephone Company.

(B) DSEF Components

(1) DSEF consists of two basic service components:

- DSEF Terminations
- DSEF Interfaces

(a) DSEF Terminations

DSEF Terminations provide STS1 bandwidth between the CDL and the SWC of that CDL. The DSEF Terminations carry DS3 services and are delivered with enhanced survivability over the Telephone Company's self-healing SONET network. As a result, the Customer is assured continuity of communication for the DS3 service even if there is a fiber facility failure between the CDL and the SWC of that CDL.

(b) DSEF Interfaces

The DSEF Interface defines the engineering characteristics of the service hand-off at the CDL. The Customer must specify an electrical or optical interface for each DSEF Termination.

(i) Electrical Interface

The electrical DSEF Interface defines the type of service that is to be provided over the Telephone Company provided SONET network. The electrical interface type that is available is DS3 (44.736 Mbps).

The electrical DSEF Interface is used for connecting a DS3 service to a DSEF Termination at the CDL.

FACILITIES FOR INTERSTATE ACCESS

8. Optical Networking (Cont'd)

8.4 Dedicated SONET Entrance Facilities (Cont'd)

(B) DSEF Components (Cont'd)

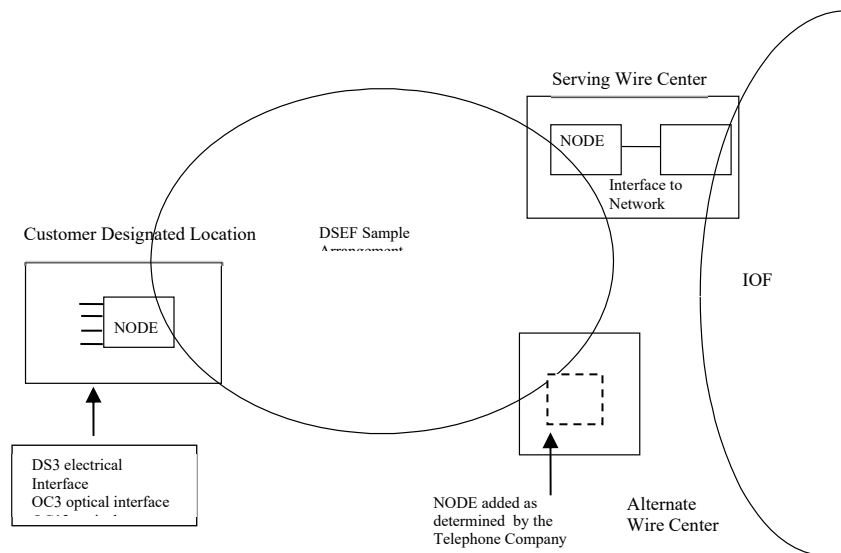
(1) (Cont'd)

(b) DSEF Interfaces (Cont'd)

(ii) Optical Interface

The optical DSEF Interface defines the optical handoff at the CDL. The optical interface is used for DS3 services connecting to DSEF Terminations and being mapped to an optical interface at OC3, OC12, or OC48 bandwidth. For example, Customer has the option of connecting multiple DS3 services to DSEF Terminations and mapping multiple DS3 services to a single OC3 optical interface.

(2) A network diagram of an DSEF with DS3 electrical interface and OC3 and OC12 optical interfaces is illustrated below:



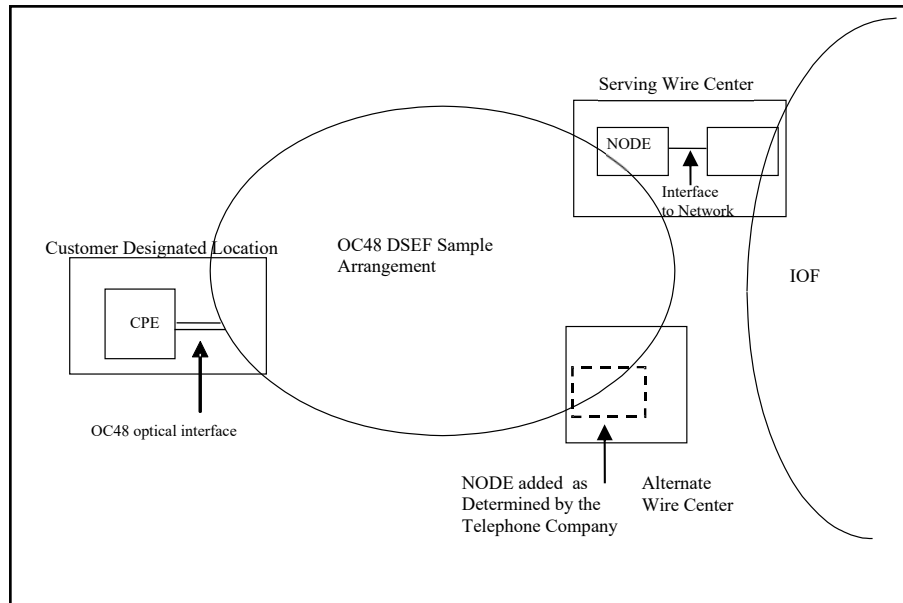
FACILITIES FOR INTERSTATE ACCESS

8. Optical Networking (Cont'd)

8.4 Dedicated SONET Entrance Facilities (Cont'd)

(B) DSEF Components (Cont'd)

(2) A network diagram of an DSEF with an OC48 optical interfaces is illustrated below:



(C) Technical Specifications

Technical specifications for DSEF are set forth in Technical Reference GR-253-CORE, Issue 4.

---

FACILITIES FOR INTERSTATE ACCESS

---

8. Optical Networking (Cont'd)

8.4 Dedicated SONET Entrance Facilities (Cont'd)

(D) Terms and Conditions

(1) Deployment and Availability

- (a) DSEF is provided where SONET facilities and bandwidth are available to provide the requested DSEF Interface. The Telephone Company will work cooperatively with the Customer in determining the availability of such facilities and if service can be provided.
- (b) DSEF is available based on negotiated intervals, as described in Section 3.2.1 preceding.
- (c) Regulations for moves or rearrangements of DS3s are described in Sections 5.6.4 and 5.6.1 preceding, respectively.

(2) Service Limitations

If the CDL is located in the same building as the SWC, the diversity between the SWC and the CDL may be limited by the physical paths available to connect the SWC and the CDL, and there may not be fiber diversity routed through an alternate wire center.

(3) Connection to Other Services

- (a) Connection of DS3 Services to DSEF Terminations is provided by the Telephone Company. Interoffice mileage, when applicable, will apply at Special Transport rates, as set forth in Section 5.7.14 preceding, for the appropriate DS3 service being transported over the interoffice facilities

Asynchronous multiplexing of DS1s into a DS3 occurs outside the DSEF and all terms and rates as set forth in Section 5.7 preceding are applicable for such multiplexing.

- (b) DSEF may also be connected to the following Telephone Company provided services, where such connections are technically and operationally feasible, as determined by the Telephone Company.
  - ethernet private line service
  - point-to-point SONET service

---

FACILITIES FOR INTERSTATE ACCESS

---

8. Optical Networking (Cont'd)

8.4 Dedicated SONET Entrance Facilities (Cont'd)

(D) Terms and Conditions (Cont'd)

(4) Space and Power

The Customer will be billed additional charges for any charges levied on the Telephone Company for space and power required to place equipment on the Telephone Company's side of the network interface.

(5) Conversions

Customers who wish to convert existing DS1 and lower bandwidth special access services to a DSEF may do so without termination liability as long as the total capacity of converted services at the CDL does not decrease. A new commitment period commences with the conversion and no credit is given for time-in-service on the new term plan. Applicable nonrecurring charges for installations will apply.

(E) Application of Rates and Charges

(1) Rate Structure

(a) DSEF Terminations

Monthly recurring charges (MRCs) apply for DSEF Terminations. The MRCs are differentiated by the term plan and DSEF Interface selected by the Customer. Nonrecurring charges apply for installations of DSEF Terminations.

Additionally, the MRCs for DSEF Terminations apply on a tapered schedule basis as set forth in (F) following. The rate to be billed for each DSEF Termination is based on the total number of DSEF Terminations that are in-service as of each billing date, on a per CDL basis, and per Billing Account Number (BAN) basis. To determine the total number of DSEF Terminations, the Telephone Company will count all DSEF Terminations and Telephone Company provided SONET entrance facilities provided in connection with a Telephone Company provided point-to-point SONET service or ethernet private line service that terminate at such CDL that are in service and billed under the same BAN.

For example, a Customer purchases five (5) DSEFs that are in-service at three (3) different CDLs, with the 5 DSEFs being billed under two (2) different BANs.



---

FACILITIES FOR INTERSTATE ACCESS

---

8. Optical Networking (Cont'd)

8.4 Dedicated SONET Entrance Facilities (Cont'd)

(E) Application of Rates and Charges (Cont'd)

(1) Rate Structure (Cont'd)

(a) DSEF Terminations (Cont'd)

- (i) The first CDL has two (2) DSEFs, one with fifteen (15) in-service STS1 DSEF Terminations and the other with 5 in-service STS1 DSEF Terminations for a total of twenty (20) STS1 DSEF Terminations. Both DSEFs are under the same BAN. The rate to be billed for each DSEF Termination in the 2 DSEFs at the first CDL is the rate shown for 20 STS1 DSEF Terminations, as set forth in (F) following.
- (ii) The second CDL has two (2) DSEFs, one with twenty (20) in-service STS1 DSEF Terminations and the other with twenty-two (22) in-service STS1 DSEF Terminations, for a total of forty-two (42) STS1 DSEF Terminations. The DSEFs at the second CDL are under separate BANs. The rate to be billed for each DSEF Termination in the first DSEF is the rate shown for 20 STS1 DSEF Terminations. The rate to be billed for each DSEF Termination in the second DSEF is the rate shown for 22 STS1 DSEF Terminations, as set forth in (F) following.
- (iii) The third CDL has one (1) DSEF with nine (9) in-service STS1 DSEF Terminations on the same BAN. The rate to be billed for each DSEF Termination on the DSEF is the rate shown for 9 STS1 DSEF Terminations, as set forth in (F) following.

(b) DSEF Interfaces

MRCs for electrical DSEF Interfaces shall apply as set forth in (F)(2) following. When a customer orders an DSEF with a STS1 termination and an electrical interface, both the MRC for electrical DSEF interface (as set forth in (F)(2) following), and the MRC for STS1 Termination (as set forth in (F)(1) following) shall apply. The MRCs are differentiated by the term plan selected by the Customer. Nonrecurring charges apply for installations of electrical DSEF Interfaces, as set forth in (F)(3) following

---

FACILITIES FOR INTERSTATE ACCESS

---

8. Optical Networking (Cont'd)

8.4 Dedicated SONET Entrance Facilities (Cont'd)

(E) Application of Rates and Charges (Cont'd)

(2) Term Plans

DSEF is available for term plans of three (3) year and five (5) year commitment periods.

(3) Connection to Other Services

When a Customer connects a DSEF Termination to a DS3 service under a one (1) year commitment period, the DSEF Termination and Interface will be provided under a three (3) year commitment period.

When a Customer connects a DSEF Termination to a DS3 service under a three (3) year or five (5) year commitment period, the DSEF Termination and Interface will be provided under the same length commitment period.

When a Customer connects a DSEF Termination to a DS3 service under a seven (7) year commitment period, the DSEF Termination and Interface will be provided under a five (5) year commitment period.

(4) Expiration of Commitment Period

Upon expiration of the term plan, the Telephone Company will continue to provide DSEF on a month-to-month basis under the same rates, terms and conditions of the current term plan until the earliest to occur of: (a) the Customer cancels service or (b) a valid order for a new term plan is requested by the Customer.

---

FACILITIES FOR INTERSTATE ACCESS

---

8. Optical Networking (Cont'd)

8.4 Dedicated SONET Entrance Facilities (Cont'd)

(E) Application of Rates and Charges (Cont'd)

(5) Termination Liability

(a) A Customer must fulfill the term plan for each DSEF Termination and Interface, or be subject to termination liability for each DSEF Termination and Interface that was not in service for the entire commitment period. If a Customer disconnects service during the first year, termination liability will be calculated at one hundred percent (100%) of the MRCs for the unexpired portion of the first year, and at fifteen percent (15%) for the remainder of the term. If the disconnection takes place after the first year, termination liability is calculated at 15% of the MRCs for the remainder of the term.

(b) Termination liability will not apply to DSEF when:

- (i) Reserved for Future Use. (C)
- (ii) a Customer changes its term plan to a longer commitment period and the CDL does not change.

FACILITIES FOR INTERSTATE ACCESS

---

8. Optical Networking (Cont'd)

8.4 Dedicated SONET Entrance Facilities (Cont'd)

(F) Rates and Charges

(1) DSEF Terminations

(Jurisdiction: Texas)

(a) Per STS1/51.84 Mbps DSEF Termination  
With a DS3 Electrical Interface  
Per **Price Cap/N-MSA**

	<u>Monthly Rate 3 Year Term</u>	<u>Monthly Rate 5 Year Term</u>
Special Switched		
1	\$2,150.00	\$1,800.00
2	2,100.00	1,600.00
3	1,700.00	1,500.00
4	1,175.00	1,100.00
5	1,000.00	890.00
6	783.00	750.00
7	699.00	640.00
8	636.00	560.00
9	588.00	500.00
10	548.00	440.00
11	516.00	395.00
12	489.00	365.00
13	480.00	362.00
14	477.00	358.00
15	475.00	355.00
16	472.00	353.00
17	470.00	350.00
18	467.00	348.00
19	465.00	345.00
20	462.00	340.00
21	459.00	338.00
22	456.00	336.00
23	454.00	333.00
24	451.00	331.00

FACILITIES FOR INTERSTATE ACCESS

---

8. Optical Networking (Cont'd)

8.4 Dedicated SONET Entrance Facilities (Cont'd)

(F) Rates and Charges (Cont'd)

(1) DSEF Terminations (Cont'd)

(Jurisdiction: Texas)

(a) Per STS1/51.84 Mbps DSEF Termination  
With a DS3 Electrical Interface (Cont'd)  
Per **Price Cap/N-MSA**

	<u>Monthly Rate 3 Year Term</u>	<u>Monthly Rate 5 Year Term</u>
Special Switched		
25	\$449.00	\$329.00
26	446.00	327.00
27	444.00	325.00
28	441.00	323.00
29	438.00	321.00
30	435.00	319.00
31	433.00	317.00
32	430.00	315.00
33	428.00	312.00
34	425.00	310.00
35	423.00	308.00
36	420.00	306.00
37	407.00	304.00
38	404.00	302.00
39	402.00	298.00
40	399.00	294.00
41	396.00	288.00
42	393.00	283.00
43	391.00	278.00
44	388.00	273.00
45	386.00	267.00
46	383.00	262.00
47	381.00	257.00
48 and up	378.00	252.00

FACILITIES FOR INTERSTATE ACCESS

---

8. Optical Networking (Cont'd)

8.4 Dedicated SONET Entrance Facilities (Cont'd)

(F) Rates and Charges (Cont'd)

(1) DSEF Terminations (Cont'd)

(Jurisdiction: Texas)

(a) Per STS1/51.84 Mbps DSEF Termination  
 With a DS3 Electrical Interface (Cont'd)  
 Per **Price Band A, Price Band B, and Price Band C**

	<u>Monthly Rate</u> <u>3 Year Term</u>	<u>Monthly Rate</u> <u>5 Year Term</u>
Special Switched		
1	\$2,150.00	\$1,800.00
2	2,100.00	1,600.00
3	1,700.00	1,500.00
4	1,175.00	1,100.00
5	1,000.00	890.00
6	783.00	750.00
7	699.00	640.00
8	636.00	560.00
9	588.00	500.00
10	548.00	440.00
11	516.00	395.00
12	489.00	365.00
13	480.00	362.00
14	477.00	358.00
15	475.00	355.00
16	472.00	353.00
17	470.00	350.00
18	467.00	348.00
19	465.00	345.00
20	462.00	340.00
21	459.00	338.00
22	456.00	336.00
23	454.00	333.00
24	451.00	331.00

FACILITIES FOR INTERSTATE ACCESS

---

8 Optical Networking (Cont'd)

8.4 Dedicated SONET Entrance Facilities (Cont'd)

(F) Rates and Charges (Cont'd)

(1) DSEF Terminations (Cont'd)

(Jurisdiction: Texas)

(a) Per STS1/51.84 Mbps DSEF Termination  
With a DS3 Electrical Interface (Cont'd)  
Per **Price Band A, Price Band B, and Price Band C**

<u>Special Switched</u>	<u>Monthly Rate 3 Year Term</u>	<u>Monthly Rate 5 Year Term</u>
25	\$449.00	\$329.00
26	446.00	327.00
27	444.00	325.00
28	441.00	323.00
29	438.00	321.00
30	435.00	319.00
31	433.00	317.00
32	430.00	315.00
33	428.00	312.00
34	425.00	310.00
35	423.00	308.00
36	420.00	306.00
37	407.00	304.00
38	404.00	302.00
39	402.00	298.00
40	399.00	294.00
41	396.00	288.00
42	393.00	283.00
43	391.00	278.00
44	388.00	273.00
45	386.00	267.00
46	383.00	262.00
47	381.00	257.00
48 and up	378.00	252.00

---

FACILITIES FOR INTERSTATE ACCESS

---

8. Optical Networking (Cont'd)

8.4 Dedicated SONET Entrance Facilities (Cont'd)

(F) Rates and Charges (Cont'd)

(1) DSEF Terminations (Cont'd)

(Jurisdiction: Texas)

(b) Per STS1/51.84 Mbps DSEF Termination  
With an OC3 Optical Interface  
Per **Price Cap/N-MSA**

	Monthly Rate 3 Year Term	Monthly Rate 5 Year Term
Special Switched		
1	\$2,310.00	\$1,905.00
2	2,260.00	1,705.00
3	1,860.00	1,605.00
4	1,335.00	1,205.00
5	1,175.00	855.00
6	971.00	690.00
7	891.00	633.00
8	831.00	590.00
9	785.00	557.00
10	747.00	530.00
11	717.00	508.00
12	691.00	490.00
13	683.00	488.00
14	680.00	486.00
15	678.00	484.00
16	675.00	482.00
17	673.00	480.00
18	670.00	478.00
19	668.00	476.00
20	665.00	474.00
21	663.00	472.00
22	660.00	470.00
23	658.00	468.00
24	655.00	466.00



FACILITIES FOR INTERSTATE ACCESS

---

8. Optical Networking (Cont'd)

8.4 Dedicated SONET Entrance Facilities (Cont'd)

(F) Rates and Charges (Cont'd)

(1) DSEF Terminations (Cont'd)

(Jurisdiction: Texas)

(b) Per STS1/51.84 Mbps DSEF Termination  
With an OC3 Optical Interface (Cont'd)  
Per **Price Cap/N-MSA**

	<u>Monthly Rate 3 Year Term</u>	<u>Monthly Rate 5 Year Term</u>
Special Switched		
25	\$653.00	\$464.00
26	650.00	462.00
27	648.00	460.00
28	645.00	458.00
29	643.00	456.00
30	640.00	454.00
31	638.00	452.00
32	635.00	450.00
33	633.00	448.00
34	630.00	446.00
35	628.00	444.00
36	625.00	442.00
37	613.00	440.00
38	610.00	438.00
39	608.00	434.00
40	605.00	430.00
41	603.00	425.00
42	600.00	420.00
43	598.00	415.00
44	595.00	410.00
45	593.00	405.00
46	590.00	400.00
47	588.00	395.00
48 and up	585.00	390.00

FACILITIES FOR INTERSTATE ACCESS

---

8. Optical Networking (Cont'd)

8.4 Dedicated SONET Entrance Facilities (Cont'd)

(F) Rates and Charges (Cont'd)

(1) DSEF Terminations (Cont'd)

(Jurisdiction: Texas)

(b) Per STS1/51.84 Mbps DSEF Termination  
With an OC3 Optical Interface (Cont'd)  
Per **Price Band A, Price Band B, and Price Band C**

	<u>Monthly Rate</u> <u>3 Year Term</u>	<u>Monthly Rate</u> <u>5 Year Term</u>
Special Switched		
1	\$2,310.00	\$1,905.00
2	2,260.00	1,705.00
3	1,860.00	1,605.00
4	1,335.00	1,205.00
5	1,175.00	855.00
6	971.00	690.00
7	891.00	633.00
8	831.00	590.00
9	785.00	557.00
10	747.00	530.00
11	717.00	508.00
12	691.00	490.00
13	683.00	488.00
14	680.00	486.00
15	678.00	484.00
16	675.00	482.00
17	673.00	480.00
18	670.00	478.00
19	668.00	476.00
20	665.00	474.00
21	663.00	472.00
22	660.00	470.00
23	658.00	468.00
24	655.00	466.00

FACILITIES FOR INTERSTATE ACCESS

---

8. Optical Networking (Cont'd)

8.4 Dedicated SONET Entrance Facilities (Cont'd)

(F) Rates and Charges (Cont'd)

(1) DSEF Terminations (Cont'd)

(Jurisdiction: Texas)

(b) Per STS1/51.84 Mbps DSEF Termination  
 With an OC3 Optical Interface (Cont'd)  
 Per **Price Band A, Price Band B, and Price Band C**

	<u>Monthly Rate 3 Year Term</u>	<u>Monthly Rate 5 Year Term</u>
Special Switched		
25	\$653.00	\$464.00
26	650.00	462.00
27	648.00	460.00
28	645.00	458.00
29	643.00	456.00
30	640.00	454.00
31	638.00	452.00
32	635.00	450.00
33	633.00	448.00
34	630.00	446.00
35	628.00	444.00
36	625.00	442.00
37	613.00	440.00
38	610.00	438.00
39	608.00	434.00
40	605.00	430.00
41	603.00	425.00
42	600.00	420.00
43	598.00	415.00
44	595.00	410.00
45	593.00	405.00
46	590.00	400.00
47	588.00	395.00
48 and up	585.00	390.00

FACILITIES FOR INTERSTATE ACCESS

---

8. Optical Networking (Cont'd)

8.4 Dedicated SONET Entrance Facilities (Cont'd)

(F) Rates and Charges (Cont'd)

(1) DSEF Terminations (Cont'd)

(Jurisdiction: Texas)

(c) Per STS1/51.84 Mbps DSEF Termination  
 With an OC12 Optical Interface  
 Per **Price Cap/N-MSA**

	<u>Monthly Rate</u> <u>3 Year Term</u>	<u>Monthly Rate</u> <u>5 Year Term</u>
Special Switched		
1	\$2,310.00	\$1,905.00
2	2,260.00	1,705.00
3	1,860.00	1,605.00
4	1,335.00	1,205.00
5	1,175.00	970.00
6	896.00	855.00
7	816.00	745.00
8	756.00	665.00
9	710.00	605.00
10	672.00	545.00
11	642.00	500.00
12	616.00	470.00
13	608.00	465.00
14	605.00	455.00
15	603.00	450.00
16	600.00	445.00
17	598.00	440.00
18	595.00	435.00
19	593.00	430.00
20	590.00	424.00
21	588.00	422.00
22	585.00	420.00
23	583.00	418.00
24	580.00	416.00

FACILITIES FOR INTERSTATE ACCESS

---

8. Optical Networking (Cont'd)

8.4 Dedicated SONET Entrance Facilities (Cont'd)

(F) Rates and Charges (Cont'd)

(1) DSEF Terminations (Cont'd)

(Jurisdiction: Texas)

(c) Per STS1/51.84 Mbps DSEF Termination  
With an OC12 Optical Interface (Cont'd)  
Per **Price Cap/N-MSA**

	<u>Monthly Rate 3 Year Term</u>	<u>Monthly Rate 5 Year Term</u>
Special Switched		
25	\$578.00	\$414.00
26	575.00	412.00
27	573.00	410.00
28	570.00	408.00
29	568.00	406.00
30	565.00	404.00
31	563.00	402.00
32	560.00	400.00
33	558.00	398.00
34	555.00	396.00
35	553.00	394.00
36	550.00	392.00
37	538.00	390.00
38	535.00	388.00
39	533.00	384.00
40	530.00	380.00
41	528.00	375.00
42	525.00	370.00
43	523.00	365.00
44	520.00	360.00
45	518.00	355.00
46	515.00	350.00
47	513.00	345.00
48 and up	510.00	340.00

FACILITIES FOR INTERSTATE ACCESS

---

8. Optical Networking (Cont'd)

8.4 Dedicated SONET Entrance Facilities (Cont'd)

(F) Rates and Charges (Cont'd)

(1) DSEF Terminations (Cont'd)

(Jurisdiction: Texas)

(c) Per STS1/51.84 Mbps DSEF Termination  
With an OC12 Optical Interface (Cont'd)  
Per **Price Band A, Price Band B, and Price Band C**

	<u>Monthly Rate</u> <u>3 Year Term</u>	<u>Monthly Rate</u> <u>5 Year Term</u>
Special Switched		
1	\$2,310.00	\$1,905.00
2	2,260.00	1,705.00
3	1,860.00	1,605.00
4	1,335.00	1,205.00
5	1,175.00	970.00
6	896.00	855.00
7	816.00	745.00
8	756.00	665.00
9	710.00	605.00
10	672.00	545.00
11	642.00	500.00
12	616.00	470.00
13	608.00	465.00
14	605.00	455.00
15	603.00	450.00
16	600.00	445.00
17	598.00	440.00
18	595.00	435.00
19	593.00	430.00
20	590.00	424.00
21	588.00	422.00
22	585.00	420.00
23	583.00	418.00
24	580.00	416.00

FACILITIES FOR INTERSTATE ACCESS

---

8. Optical Networking (Cont'd)

8.4 Dedicated SONET Entrance Facilities (Cont'd)

(F) Rates and Charges (Cont'd)

(1) DSEF Terminations (Cont'd)

(Jurisdiction: Texas)

(c) Per STS1/51.84 Mbps DSEF Termination  
 With an OC12 Optical Interface (Cont'd)  
 Per **Price Band A, Price Band B, and Price Band C**

	<u>Monthly Rate 3 Year Term</u>	<u>Monthly Rate 5 Year Term</u>
Special Switched		
25	\$578.00	\$414.00
26	575.00	412.00
27	573.00	410.00
28	570.00	408.00
29	568.00	406.00
30	565.00	404.00
31	563.00	402.00
32	560.00	400.00
33	558.00	398.00
34	555.00	396.00
35	553.00	394.00
36	550.00	392.00
37	538.00	390.00
38	535.00	388.00
39	533.00	384.00
40	530.00	380.00
41	528.00	375.00
42	525.00	370.00
43	523.00	365.00
44	520.00	360.00
45	518.00	355.00
46	515.00	350.00
47	513.00	345.00
48 and up	510.00	340.00

FACILITIES FOR INTERSTATE ACCESS

---

8. Optical Networking (Cont'd)

8.4 Dedicated SONET Entrance Facilities (Cont'd)

(F) Rates and Charges (Cont'd)

(1) DSEF Terminations (Cont'd)

(Jurisdiction: Texas)

(d) Per STS1/51.84 Mbps DSEF Termination  
With an OC48 Optical Interface  
Per **Price Cap/N-MSA**

	<u>Monthly Rate</u> <u>3 Year Term</u>	<u>Monthly Rate</u> <u>5 Year Term</u>
Special Switched		
1	\$6,288.00	\$4,488.00
2	3,144.00	2,244.00
3	2,096.00	1,496.00
4	1,572.00	1,122.00
5	1,258.00	898.00
6	1,048.00	748.00
7	898.00	641.00
8	786.00	561.00
9	699.00	499.00
10	629.00	449.00
11	572.00	408.00
12	524.00	343.33
13	517.00	342.41
14	515.00	340.58
15	513.00	338.74
16	510.00	337.82
17	509.00	335.99
18	506.00	334.15
19	505.00	333.23
20	502.00	331.40
21	500.00	329.56
22	498.00	327.73
23	496.00	326.81
24	493.00	324.97

(



FACILITIES FOR INTERSTATE ACCESS

---

8. Optical Networking (Cont'd)

8.4 Dedicated SONET Entrance Facilities (Cont'd)

(F) Rates and Charges (Cont'd)

(1) DSEF Terminations (Cont'd)

(Jurisdiction: Texas)

(d) Per STS1/51.84 Mbps DSEF Termination  
With an OC48 Optical Interface (Cont'd)  
Per **Price Cap/N-MSA**

	<u>Monthly Rate 3 Year Term</u>	<u>Monthly Rate 5 Year Term</u>
Special Switched		
25	\$492.00	\$323.14
26	489.00	322.22
27	488.00	320.38
28	485.00	318.55
29	483.00	317.63
30	481.00	315.79
31	479.00	313.96
32	476.00	312.12
33	475.00	311.20
34	472.00	309.37
35	471.00	307.53
36	468.00	306.61
37	458.00	305.78
38	455.00	302.94
39	454.00	300.19
40	451.00	296.51
41	449.00	292.84
42	447.00	289.17
43	445.00	285.50
44	442.00	280.91
45	441.00	277.24
46	438.00	273.56
47	437.00	269.89
48 and up	434.00	265.30

FACILITIES FOR INTERSTATE ACCESS

---

8. Optical Networking (Cont'd)

8.4 Dedicated SONET Entrance Facilities (Cont'd)

(F) Rates and Charges (Cont'd)

(1) DSEF Terminations (Cont'd)

(Jurisdiction: Texas)

(d) Per STS1/51.84 Mbps DSEF Termination  
 With an OC48 Optical Interface (Cont'd)  
 Per **Price Band A, Price Band B, and Price Band C**

	<u>Monthly Rate</u> <u>3 Year Term</u>	<u>Monthly Rate</u> <u>5 Year Term</u>
Special Switched		
1	\$6,288.00	\$4,488.00
2	3,144.00	2,244.00
3	2,096.00	1,496.00
4	1,572.00	1,122.00
5	1,258.00	898.00
6	1,048.00	748.00
7	898.00	641.00
8	786.00	561.00
9	699.00	499.00
10	629.00	449.00
11	572.00	408.00
12	524.00	343.33
13	517.00	342.41
14	515.00	340.58
15	513.00	338.74
16	510.00	337.82
17	509.00	335.99
18	506.00	334.15
19	505.00	333.23
20	502.00	331.40
21	500.00	329.56
22	498.00	327.73
23	496.00	326.81
24	493.00	324.97

FACILITIES FOR INTERSTATE ACCESS

---

8. Optical Networking (Cont'd)

8.4 Dedicated SONET Entrance Facilities (Cont'd)

(F) Rates and Charges (Cont'd)

(1) DSEF Terminations (Cont'd)

(Jurisdiction: Texas)

(d) Per STS1/51.84 Mbps DSEF Termination  
 With an OC48 Optical Interface (Cont'd)  
 Per **Price Band A, Price Band B, and Price Band C**

	<u>Monthly Rate</u> <u>3 Year Term</u>	<u>Monthly Rate</u> <u>5 Year Term</u>
Special Switched		
25	\$492.00	\$323.14
26	489.00	322.22
27	488.00	320.38
28	485.00	318.55
29	483.00	317.63
30	481.00	315.79
31	479.00	313.96
32	476.00	312.12
33	475.00	311.20
34	472.00	309.37
35	471.00	307.53
36	468.00	306.61
37	458.00	305.78
38	455.00	302.94
39	454.00	300.19
40	451.00	296.51
41	449.00	292.84
42	447.00	289.17
43	445.00	285.50
44	442.00	280.91
45	441.00	277.24
46	438.00	273.56
47	437.00	269.89
48 and up	434.00	265.30

FACILITIES FOR INTERSTATE ACCESS

---

8. Optical Networking (Cont'd)

8.4 Dedicated SONET Entrance Facilities (Cont'd)

(F) Rates and Charges (Cont'd)

(2) Electrical DSEF Terminations

(a) DS3 Interface Monthly Recurring Charge

(Jurisdiction: Texas)

	<u>3-Year Term</u>
Price Cap/N-MSA	\$157.00
Price Band A	157.00
Price Band B	157.00
Price Band C	157.00
	<u>5-Year Term</u>
Price Cap/N-MSA	\$105.00
Price Band A	105.00
Price Band B	105.00
Price Band C	105.00

FACILITIES FOR INTERSTATE ACCESS

---

8. Optical Networking (Cont'd)

8.4 Dedicated SONET Entrance Facilities (Cont'd)

(F) Rates and Charges (Cont'd)

(3) Installation Charges

(a) Per DSEF Termination

(Jurisdiction: Texas)

STS1 w/ separate Interface

Price Cap/N-MSA

Price Band A

Price Band B

Price Band C

Nonrecurring Charge

\$1.00

1.00

1.00

1.00

(b) Per electrical DSEF Interface

(Jurisdiction: Texas)

Per electrical DSEF Interface - DS3

Price Cap/N-MSA

Price Band A

Price Band B

Price Band C

3-Year Term  
Nonrecurring Charge

\$1.00

1.00

1.00

1.00

Per electrical DSEF Interface - DS3

Price Cap/N-MSA

Price Band A

Price Band B

Price Band C

5-Year Term  
Nonrecurring Charge

\$1.00

1.00

1.00

1.00

---

FACILITIES FOR INTERSTATE ACCESS

---

9. Operating Territories of the Frontier Telephone Companies

9.1 General

The operating territory of Frontier Telephone Companies is comprised of the operating territory of Frontier Dallas TX Fiber 1 LLC.

9. Operating Territories of the Frontier Telephone Companies (Cont'd)

9.2 Operating Territory of Frontier Dallas TX Fiber 1 LLC.

The operating territory of Frontier Dallas TX Fiber 1 LLC., defined by the names of wire centers, is comprised of the following locations for Texas.

(A) Operating Territory of Texas –

Addison		
Allen	Irving	White Settlement
Argyle	Justin	Wylie
Bartonville	Keller	
Benbrook	Kennedale	
Carrollton	Lake Worth	
Dallas	Lewisville	
De Soto	Mansfield	
Denton	N Richland Hills	
Duncanvl	Plano	f
Edgecliff	Renner	
Eules	Richardson	
Farmer Branch	Roanoke	
Fort Worth	Rowlett	
Garland	Seagoville	
Grapevine	Sunnyvale	l
Haslet	Wedgewood	

ACCESS SERVICE

---

10. Discount Plans

10.1

RESERVED FOR FUTURE USE